



Lockcases

Sash locks / ASSA Modular



Application

Locks for shops and entrance doors to private houses, industrial premises, offices or for any situation where a key operated deadlock is required plus a latch and lever handles.

Cylinders



- ASSA 5-Pin
- ASSA Flexcore Plus
- ASSA 4800
- ASSA Twin Combi
- ASSA dp4400
- ASSA CLIQ

Scandinavian Oval or Round

Can be incorporated into an ASSA master key system



Available with single cylinder and thumbturn, or alternatively with double cylinders or single cylinder only.

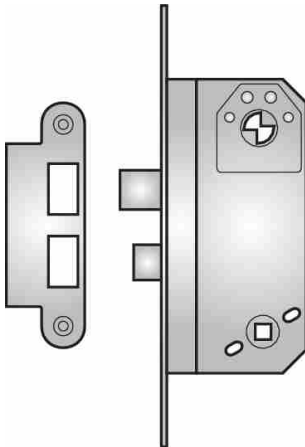
Supplied as standard with striking plate. Cylinder and accessories bolt through lockcase for added strength.

Key can be removed in locked or unlocked position.

For finishes and dimensions see Lockcases Information appendix.

When ordering please specify hand and door thickness.

765 sash lock

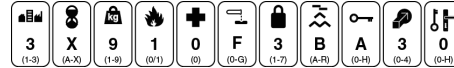


Hardened steel deadbolt thrown 21mm by 90° turn of key or thumbturn.

Latchbolt reversible without opening lockcase.

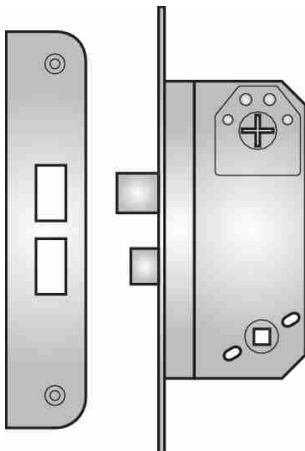
Available with either 50mm or 70mm backset.

Exterior		Interior
Key operates deadbolt and latchbolt. Lever handle retracts latchbolt.		Thumbturn operates deadbolt and latchbolt. Lever handle retracts latchbolt.



Product has been successfully type-tested for conformity to BS EN 12209. Regular audit testing is undertaken.

8765 high security sash lock

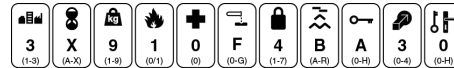


Special high security lockcase. Hardened steel deadbolt thrown 21mm by single 360° turn of key or thumbturn. Supplied with high security box striking plate.

Latchbolt reversible without opening lockcase.

Available with either 50mm or 70mm backset.

Exterior		Interior
Key operates deadbolt. Lever handle retracts latchbolt.		Thumbturn operates deadbolt. Lever handle retracts latchbolt.



Product has been successfully type-tested for conformity to BS EN 12209. Regular audit testing is undertaken.

Deadlocks / ASSA Modular



Application

Locks for entrance doors, corridor and other swing doors with door pulls and push plates. Also as a secondary lock on any door.

Cylinders



- ASSA 5-Pin
- ASSA Flexcore Plus
- ASSA 4800
- ASSA Twin Combi
- ASSA dp4400
- ASSA CLIQ

Scandinavian Oval or Round

Can be incorporated into an ASSA master key system



Available with single cylinder and thumbturn, or alternatively with double cylinders or single cylinder only.

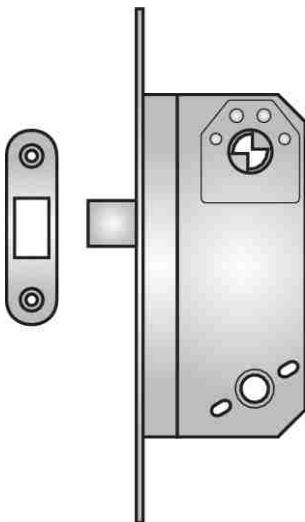
Supplied as standard with striking plate. Cylinder and accessories bolt through lockcase for added strength.

Key can be removed in locked or unlocked position.

For finishes and dimensions see Lockcases Information appendix.

When ordering please specify door thickness.

2788 deadlock

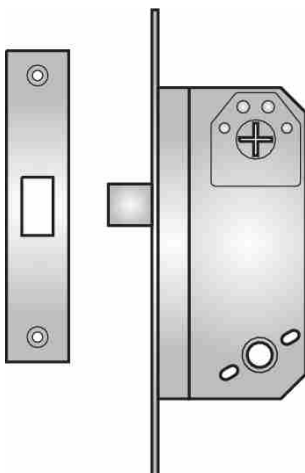


Hardened steel deadbolt thrown 21mm by 90° turn of key or thumbturn. Available with either 50mm or 70mm backset.

Exterior		Interior	
Key operates deadbolt.		Thumbturn operates deadbolt.	

Product has been successfully type-tested for conformity to BS EN 12209. Regular audit testing is undertaken.

9788 high security deadlock



Hardened steel deadbolt thrown 21mm by single 360° turn of key or thumbturn. Supplied with high security box striking plate. Available with either 50mm or 70mm backset.

Exterior		Interior	
Key operates deadbolt.		Thumbturn operates deadbolt.	

Product has been successfully type-tested for conformity to BS EN 12209. Regular audit testing is undertaken.

Mortice latch / ASSA Modular



Application

Latch for inner doors where locking is not required.

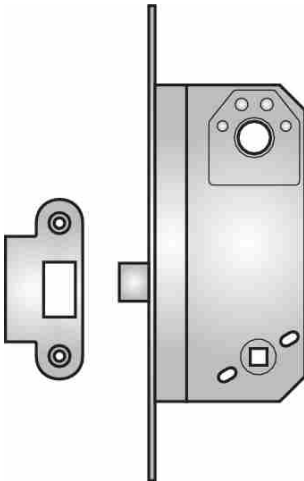


Comes complete with striking plate.

For finishes and dimensions see Lockcases Information appendix.

When ordering please specify hand and door thickness.

1498 latch



Latch for inner doors, supplied with striking plate. Latchbolt reversible without opening lockcase. No locking device. For use with lever handles. Available with either 50mm or 70mm backset.

Exterior		Interior
Lever handle retracts latchbolt.		Lever handle retracts latchbolt.
3 (1-3)	X (A-X)	9 (1-9)
1 (0-1)	0 (0)	1 (0-1)
F (0-G)	1 (1-7)	B (A-F)
H (0-H)	3 (0-4)	0 (0-H)

Product has been successfully type-tested for conformity to BS EN 12209. Regular audit testing is undertaken.

Emergency nightlatches light / ASSA Modular



Application

Locks for exit doors offering a high degree of security, but with unrestricted exit in an emergency. Ideally suited for emergency doors in hotels, factories, hospitals, schools, offices etc.

Cylinders



- ASSA 5-Pin
- ASSA Flexcore Plus
- ASSA 4800
- ASSA Twin Combi
- ASSA dp4400
- ASSA CLIQ

Scandinavian Oval or Round

Can be incorporated into an ASSA master key system



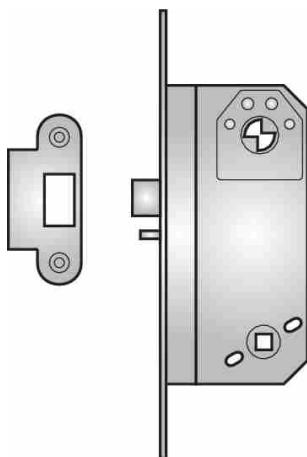
Can be included as part of a total security system, including mechanical and electrical devices. Striking plate is included. Cylinder and accessories bolt through lockcase for added strength. Key can only be removed in locked (or locked-back) position.

Bolt reversible without opening lockcase.

For finishes and dimensions see Lockcases Information appendix. For accessory configurations see Variations insert.

When ordering please specify door thickness.

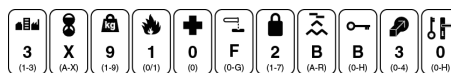
8760 light sprung nightlatch without lock-back



Bolt deadlocks automatically when door is closed.

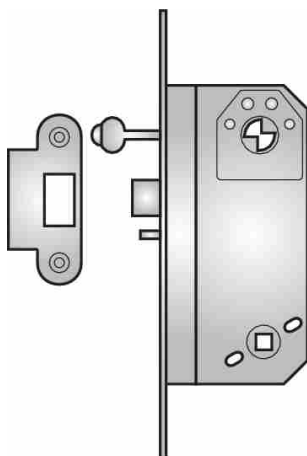
Emergency exit break dome thumbturn for non key-holders. Light sprung for use with turn.

Available with either 50mm or 70mm backset.



Product has been successfully type-tested for conformity to BS EN 12209. Regular audit testing is undertaken.

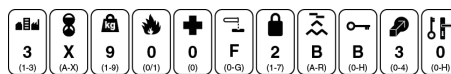
8764 light sprung nightlatch with key lock-back



Bolt deadlocks automatically when door is closed but with special faceplate key for locking bolt into lockcase. Ideal where security is not required whilst building is fully occupied (e.g. office hours). Light sprung for use with turn.

Available with either 50mm or 70mm backset.

May be converted by Stockists to operate with snib lock-back.



Product has been successfully type-tested for conformity to BS EN 12209. Regular audit testing is undertaken.

Microswitching

An internal microswitch can be fitted in any of these locks to enable an alarm or other signal to be activated by use of either the escape function or key and escape function.

ME = Microswitch to signal use of emergency facility or handle.

MK = Microswitch to signal use of key and emergency facility/handle.

Example Ref: 8760 (lock) / 70mm (backset) / LH outward (handing) / 4801 (cylinder) / Var 3 (emergency variation) / ME (microswitch)

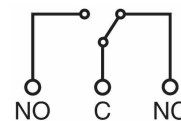
i.e. 8760 / 70mm / LH outwards / 4801 / var 3 / ME.

Microswitch Details:

Red: Common

Blue: Normally Open

Yellow: Normally Closed



Single Pole Double Throw. Maximum power rating 2A at 24V DC.

Emergency nightlatches - light

Variations

Emergency accessory variations for use with 8760 and 8764 light sprung emergency nightlatches.

To select a function as described in the table, quote the appropriate variation number.

Emergency dome

The Dome is held in place by two plastic 'Break Pins'. In an emergency twisting off the Dome, thereby snapping the pins, will give exit to non-key holders.

The Dome is retained on a chain, and replacement 'Break Pins' can simply be pressed into place.

Options available are:

8560 Single

8560 Double

8560 with Deadknob

Var.	Ref.	Exterior		Interior
1	8760 or 8764	Key operation.		Key operation. Emergency exit 'break-dome' thumbturn for non key-holders.
2	8760 or 8764	Key operation. Dead knob for use as door pull only.		Key operation. Emergency exit 'break-dome' thumbturn for non key-holders.
3	8760 or 8764	Key operation. Emergency exit 'break-dome' thumbturn for non key-holders.		Key operation. Emergency exit 'break-dome' thumbturn for non key-holders.
7	8760 or 8764	No access at any time.		Key operation. Emergency exit 'break-dome' thumbturn for non key-holders.
8	8760 or 8764	Key operation.		Emergency exit 'break-dome' thumbturn.
9	8760 or 8764	Key operation. Emergency exit 'break-dome' thumbturn for non key-holders.		Emergency exit 'break-dome' thumbturn.
10	8760 or 8764	Emergency exit 'break-dome' thumbturn.		Key operation. Emergency exit 'break-dome' thumbturn for non-key holders.

Var.	Ref.	Exterior		Interior
11	8760 or 8764	Dead knob for use as door pull only.		Key operation. Emergency exit 'break-dome' thumbturn for non key-holders.
12	8760 or 8764	Key operation. Dead knob for use as door pull only.		Emergency exit 'break-dome' thumbturn.
13	8760 or 8764	Key operation. Emergency exit 'break-dome' thumbturn for non key-holders.		Lever handle giving free passage at all times.
21	8760 or 8764	No access at any time.		Emergency exit 'break-dome' thumbturn.
22	8760 or 8764	Emergency exit 'break-dome' thumbturn.		Emergency exit 'break-dome' thumbturn.
23	8760 or 8764	Dead knob for use as door pull only.		Emergency exit 'break-dome' thumbturn.
24	8760 or 8764	Emergency exit 'break-dome' thumbturn.		Lever handle giving free access at all times.

Emergency nightlatches / ASSA Modular



Application

Locks for exit doors offering a high degree of security, but with unrestricted exit in an emergency. Ideally suited for hotels, factories, hospitals, schools, offices etc. Also suitable for use with electric strikes.

Cylinders



Scandinavian Oval or Round

- ASSA 5-Pin
- ASSA Flexcore Plus
- ASSA 4800
- ASSA Twin Combi
- ASSA dp4400
- ASSA CLIQ

Can be incorporated into an ASSA master key system



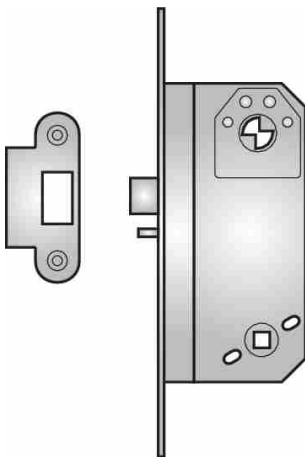
Can be included as part of a total security system, including mechanical and electrical devices. Striking plate is included. Cylinder and accessories bolt through lockcase for added strength. Key can only be removed in locked (or locked-back) position.

Bolt reversible without opening lockcase.

For finishes and dimensions see Lockcases Information appendix. For accessory configurations see Variations insert.

When ordering please specify door thickness.

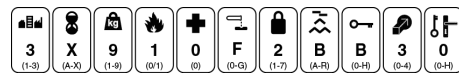
8761 nightlatch without lock-back



Bolt deadlocks automatically when door is closed.

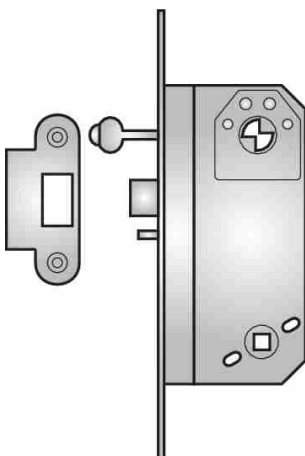
Strong spring for use with lever handles.

Available with either 50mm or 70mm backset.



Product has been successfully type-tested for conformity to BS EN 12209. Regular audit testing is undertaken.

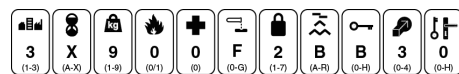
8762 nightlatch with key lock-back



Bolt deadlocks automatically when door is closed but with special faceplate key for locking bolt into lockcase. Ideal where security is not required whilst building is fully occupied (e.g. office hours). Strong spring for use with lever handles.

Available with either 50mm or 70mm backset.

May be converted by Stockists to operate with snib lock-back.



Product has been successfully type-tested for conformity to BS EN 12209. Regular audit testing is undertaken.

Emergency nightlatches / ASSA Modular



Application

Locks for exit doors offering a high degree of security, but with unrestricted exit in an emergency. Ideally suited for hotels, factories, hospitals, schools, offices etc. Also suitable for use with electric strikes.

Cylinders



Scandinavian Oval or Round

- ASSA 5-Pin
- ASSA Flexcore Plus
- ASSA 4800
- ASSA Twin Combi
- ASSA dp4400
- ASSA CLIQ

Can be incorporated into an ASSA master key system



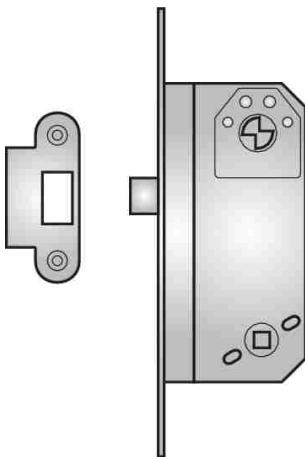
Can be included as part of a total security system, including mechanical and electrical devices. Striking plate is included. Cylinder and accessories bolt through lockcase for added strength. Key can only be removed in locked (or locked-back) position.

Bolt reversible without opening lockcase.

For finishes and dimensions see Lockcases Information appendix. For accessory configurations see Variations insert.

When ordering please specify door thickness.

8759 nightlatch, non-deadlocking

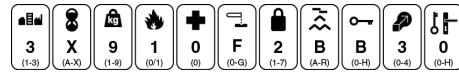


No automatic deadlocking.

Strong spring for use with lever handles.

Available with either 50mm or 70mm backset.

May be converted by Stockists to operate with snib lock-back.



Product has been successfully type-tested for conformity to BS EN 12209. Regular audit testing is undertaken.

Microswitching

An internal microswitch can be fitted in any of these locks to enable an alarm or other signal to be activated by use of either the escape function or key and escape function.

ME = Microswitch to signal use of emergency facility or handle.

MK = Microswitch to signal use of key and emergency facility/handle.

Example Ref: 8761 (lock) / 70mm (backset) / LH outward (handing) / 4801 (cylinder) / Var 20 (emergency variation / ME (microswitch))

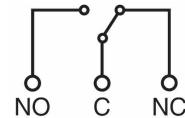
i.e. 8761 / 70mm / LH outwards / 4801 / var 20 / ME.

Microswitch Details:

Red: Common

Blue: Normally Open

Yellow: Normally Closed



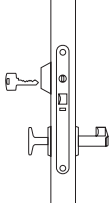
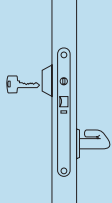
Single Pole Double Throw. Maximum power rating 2A at 24V DC.

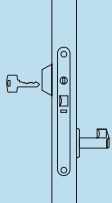
Emergency nightlatches

Variations

Variations for use with 8761, 8762 and 8759 emergency nightlatches. Offer easy exit by lever handle at all times. Suitable for main entrance doors, access control applications and hotel bedrooms.

Note: the 20A and 20B sets listed in the Door Furniture section are lever handle sets; the cylinder and cylinder accessory set will need to be specified separately to make up these variations.

Var.	Ref.	Exterior		Interior
20	8761 8762 or 8759	Key operation. Dead knob for use as door pull only.		Lever handle giving free passage at all times.
20B	8761 8762 or 8759	Key operation.		Return to door lever handle giving free passage at all times.

Var.	Ref.	Exterior		Interior
20A	8761 8762 or 8759	Key operation.		Lever handle giving free passage at all times.

Mortice nightlatches / ASSA Modular



Application

Locks for entrance doors where automatic locking is required when door is closed.

Cylinders



Scandinavian Oval or Round

- ASSA 5-Pin
- ASSA Flexcore Plus
- ASSA 4800
- ASSA Twin Combi
- ASSA dp4400
- ASSA CLIQ

Can be incorporated into an ASSA master key system



Available with single cylinder and thumbturn, or alternatively with double cylinders or single cylinder only.

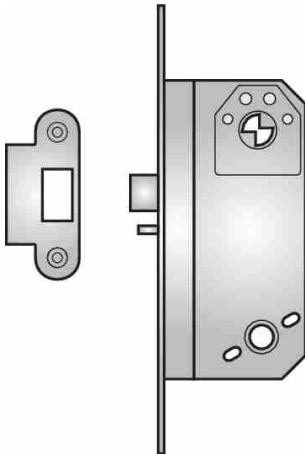
Supplied as standard with striking plate. Cylinder and accessories bolt through lockcase for added strength.

Key can only be removed in locked (or locked-back) position. Bolts reversible without opening lockcase.

For finishes and dimensions see Lockcases Information appendix.

When ordering please specify hand and door thickness.

5784 nightlatch with snib lock-back



Bolt deadlocks automatically when door is closed.

Snib for locking bolt into lockcase.

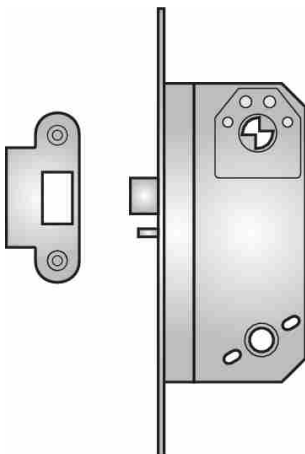
Available with either 50mm or 70mm backset.

Exterior		Interior
Latchbolt automatically deadlocked.		Turn retracts latchbolt.
Key retracts latchbolt.		Latchbolt held back by snib in faceplate.

--	--	--	--	--	--	--	--	--	--	--

Product has been successfully type-tested for conformity to BS EN 12209. Regular audit testing is undertaken.

6785 nightlatch without lock-back



Bolt deadlocks automatically when door is closed. No locking of bolt into lockcase.

Available with either 50mm or 70mm backset.

Exterior		Interior
Latchbolt automatically deadlocked.		Turn retracts latchbolt.
Key retracts latchbolt.		

--	--	--	--	--	--	--	--	--	--	--

Product has been successfully type-tested for conformity to BS EN 12209. Regular audit testing is undertaken.

Mortise nightlatches / ASSA Modular



Application

Locks for entrance doors where automatic locking is required when door is closed.

Cylinders



- ASSA 5-Pin
- ASSA Flexcore Plus
- ASSA 4800
- ASSA Twin Combi
- ASSA dp4400
- ASSA CLIQ

Scandinavian Oval or Round

Can be incorporated into an ASSA master key system



Available with single cylinder and thumbturn, or alternatively with double cylinders or single cylinder only.

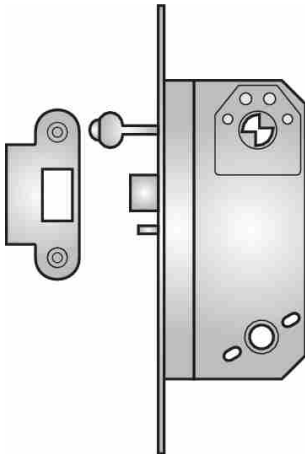
Supplied as standard with striking plate. Cylinder and accessories bolt through lockcase for added strength.

Key can only be removed in locked (or locked-back) position. Bolts reversible without opening lockcase.

For finishes and dimensions see Lockcases Information appendix.

When ordering please specify hand and door thickness.

5785 nightlatch with key lock-back



Bolt deadlocks automatically when door is closed. Key for locking bolt into lockcase.

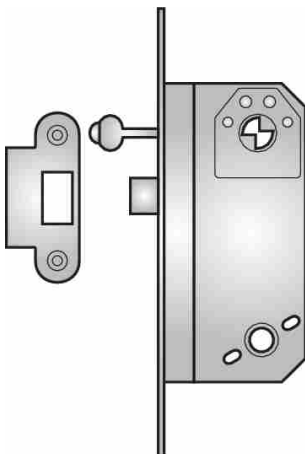
Available with either 50mm or 70mm backset.

Exterior		Interior
Latchbolt automatically deadlocked. Key retracts latchbolt.		Turn retracts latchbolt. Latchbolt held back by key in faceplate.

--	--	--	--	--	--	--	--	--	--	--

Product has been successfully type-tested for conformity to BS EN 12209. Regular audit testing is undertaken.

6780 nightlatch with key lock-back, non-deadlocking



No automatic deadlocking. Key for locking bolt into lockcase.

Available with either 50mm or 70mm backset.

May be converted by Stockist to operate with either snib or no lock-back.

Exterior		Interior
Key retracts latchbolt.		Turn retracts latchbolt. Latchbolt held back by key in faceplate.

--	--	--	--	--	--	--	--	--	--	--

Product has been successfully type-tested for conformity to BS EN 12209. Regular audit testing is undertaken.

Double nightlatches / ASSA Modular



Application

Locks for classroom doors, offices, industrial premises, apartments, etc.

Cylinders



- ASSA 5-Pin
- ASSA Flexcore Plus
- ASSA 4800
- ASSA Twin Combi
- ASSA dp4400
- ASSA CLIQ

Scandinavian Oval or Round

Can be incorporated into an ASSA master key system



Available with single cylinder and thumbturn, or alternatively with double cylinders or single cylinder only.

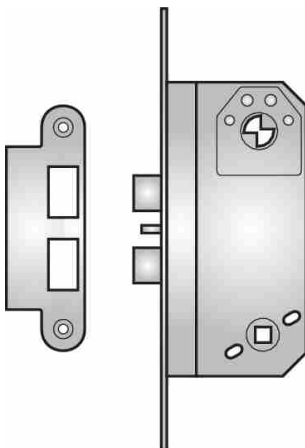
Supplied as standard with striking plate. Cylinder and accessories bolt through lockcase for added strength.

Key can only be removed in locked (or locked-back) position. Bolts reversible without opening lockcase.

For finishes and dimensions see Lockcases Information appendix.

When ordering please specify door thickness.

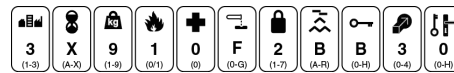
760 double nightlatch with snib lock-back



Upper bolt deadlocks automatically when door is closed. Snib for locking the upper bolt into lockcase. Lower bolt operated by lever handle.

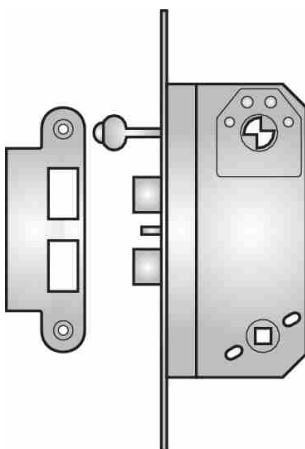
Available with either 50mm or 70mm backset.

Exterior		Interior
Upper latchbolt automatically deadlocked. Key retracts both latchbolts. Lever handle retracts lower latchbolt.		Turn retracts both latchbolts. Lever handle retracts lower latchbolt. Upper latchbolt held back by snib in faceplate.



Product has been successfully type-tested for conformity to BS EN 12209. Regular audit testing is undertaken.

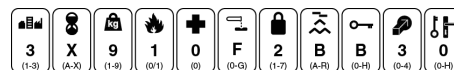
762 double nightlatch with key lock-back



Upper bolt deadlocks automatically when door is closed. Key locking of upper bolt into lockcase. Lower bolt operated by lever handle.

Available with either 50mm or 70mm backset.

Exterior		Interior
Upper latchbolt automatically deadlocked. Key retracts both latchbolts. Lever handle retracts lower latchbolt.		Turn retracts both latchbolts. Lever handle retracts lower latchbolt. Upper latchbolt held back by key in faceplate.



Product has been successfully type-tested for conformity to BS EN 12209. Regular audit testing is undertaken.

Double nightlatches / ASSA Modular



Application

Locks for classroom doors, offices, industrial premises, apartments, etc.

Cylinders



- ASSA 5-Pin
- ASSA Flexcore Plus
- ASSA 4800
- ASSA Twin Combi
- ASSA dp4400
- ASSA CLIQ

Scandinavian Oval or Round

Can be incorporated into an ASSA master key system



Available with single cylinder and thumbturn, or alternatively with double cylinders or single cylinder only.

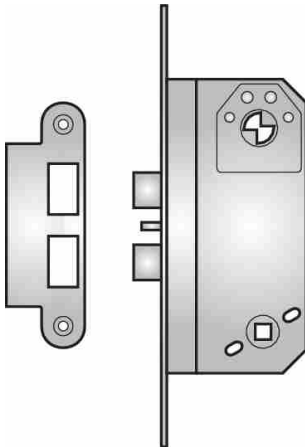
Supplied as standard with striking plate. Cylinder and accessories bolt through lockcase for added strength.

Key can only be removed in locked (or locked-back) position. Bolts reversible without opening lockcase.

For finishes and dimensions see Lockcases Information appendix.

When ordering please specify door thickness.

1760 double nightlatch without lock-back



Upper bolt deadlocks automatically when door is closed. No locking of upper bolt into lockcase. Lower bolt operated by lever handle. Available with either 50mm or 70mm backset.

Exterior		Interior
Upper latchbolt automatically deadlocked. Key retracts both latchbolts. Lever handle retracts lower latchbolt.		Turn retracts both latchbolts. Lever handle retracts lower latchbolt. No lock-back.

3 (1-3)	X (A-X)	9 (1-9)	1 (0-1)	0 (0)	F (0-5)	2 (1-7)	B (A-F)	B (0-H)	3 (0-4)	0 (0-H)
------------	------------	------------	------------	----------	------------	------------	------------	------------	------------	------------

Product has been successfully type-tested for conformity to BS EN 12209. Regular audit testing is undertaken.

Escape sash lock / ASSA Modular



Application

Locks for exit doors offering a very high degree of security from the outside, but allowing unrestricted exit. Suitable for doors to flats and apartments, hotel bedrooms and commercial premises.

Cylinders



- ASSA 5-Pin
- ASSA Flexcore Plus
- ASSA 4800
- ASSA Twin Combi
- ASSA dp4400
- ASSA CLIQ

Scandinavian Oval or Round

Can be incorporated into an ASSA master key system



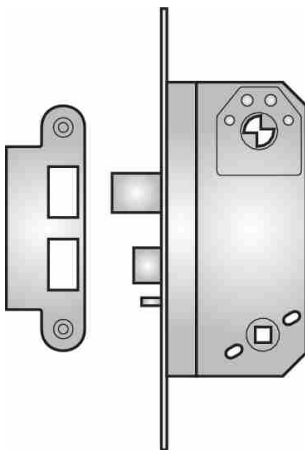
Available with single cylinder and thumbturn, or alternatively with double cylinders or single cylinder only.

Supplied as standard with special striking plate*. Cylinder and accessories bolt through lockcase for added strength. Split Follower Lock incorporates different and separate functions on either side of the door.

For finishes, handing and dimensions see Lockcases Information appendix. For accessories configurations see Variations insert.

When ordering please specify hand, direction of door opening and door thickness.

1520 escape sash lock



Hardened steel deadbolt thrown 25mm by 90° turn of key or thumbturn. Latchbolt deadlocks automatically when door is closed.

Latchbolt reversible without opening lockcase.

Lever handle at one side withdraws latchbolt. Lever handle on other side withdraws both latchbolt and deadbolt.

Available with either 50mm or 70mm backset.

Previously referred to as 520X/520R.

Exterior		Interior
Key operates deadbolt and latchbolt. Lever handle retracts latchbolt. Latch automatically deadlocked.		Turn operates deadbolt and latchbolt. Lever handle retracts both deadbolt and latchbolt.
3 X 9 1 0 F 3 B A 2 0		

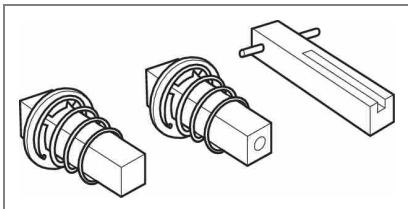
Product has been successfully type-tested for conformity to BS EN 12209. Regular audit testing is undertaken.

*Supplied with special box striking plate to accommodate the 25mm deadbolt throw. The 1520 cannot be used with standard ASSA Modular security strikes.

Split follower locks

Special split spindles must be used where lever handles are fitted to ASSA Split Follower Locks. ASSA lever handles are recommended. If other lever handles are used, contact us for advice.

Please note that the exact type of spindle to specify varies depending on the lever handle range to be used. See Door Furniture section for details.



Split follower locks provide different functions on the inside and outside, and the internal handle follower mechanism is not reversible. Therefore when specifying these locks both the door handing AND whether the door opens inwards or outwards MUST be stated.

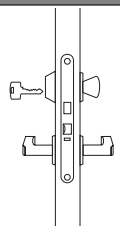
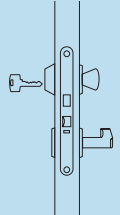
Escape sash lock

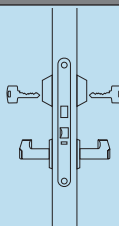
Variations

The 1520 can be supplied in a variety of options to suit different requirements.

To specify please quote reference and description as shown.

Note: variations without an external lever handle are recommended for low-traffic areas only. An external lever handle should be fitted if the lock is likely to be used by those with low physical strength.

Ref.	Exterior		Interior
1520	Key operates deadbolt and latchbolt. Lever handle retracts latchbolt. Latchbolt automatically deadlocked.		Turn operates deadbolt and latchbolt. Lever handle retracts both deadbolt and latchbolt.
1520 No External Lever (1520 NEL)	Key operates deadbolt and latchbolt. Latchbolt automatically deadlocked.		Turn operates deadbolt and latchbolt. Lever handle retracts both deadbolt and latchbolt.

Ref.	Exterior		Interior
1520 Double Cylinder (1520 D/C)	Key operates deadbolt and latchbolt. Lever handle retracts latchbolt. Latchbolt automatically deadlocked.		Key operates deadbolt and latchbolt. Lever handle retracts both deadbolt and latchbolt.

Escape double nightlatches / ASSA Modular



Application

Locks for doors where automatic deadlocking is required, such as classrooms, offices, industrial premises, apartments etc. Unrestricted exit facilities at all times.

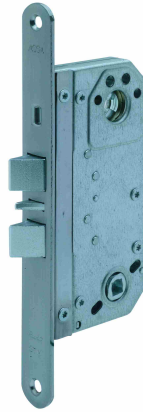
Cylinders



Scandinavian Oval or Round

- ASSA 5-Pin
- ASSA Flexcore Plus
- ASSA 4800
- ASSA Twin Combi
- ASSA dp4400
- ASSA CLIQ

Can be incorporated into an ASSA master key system



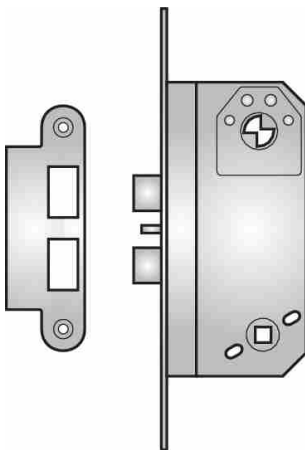
Supplied as standard with striking plate. Cylinder and accessories bolt through lockcase for added strength.

Key can only be removed in locked (or locked-back) position.

For finishes, handing and dimensions see Lockcases Information appendix.

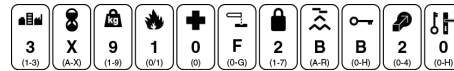
Split follower locks provide different functions on the inside and outside, and the internal handle follower mechanism is not reversible. Therefore when specifying these locks both the door handing AND whether the door opens inwards or outwards MUST be stated.

500/9 double nightlatch with cylinder key lock-back



Upright mortise locking latch with cylinder outside and lock-back inside. For use when automatic deadlocking is required during controlled periods. Internal cylinder is used for lock-back which is therefore fully controlled. Available with either 50mm or 70mm backset. Can be converted to 500/4 with snib lock-back.

Exterior		Interior
Upper latchbolt automatically deadlocked. Key retracts both latchbolts. Lever handle retracts lower latchbolt.		Key controls upper latchbolt lock-back. Lever handle retracts both latchbolts.



Product has been successfully type-tested for conformity to BS EN 12209. Regular audit testing is undertaken.

Split follower locks

Split follower locks provide different functions on the inside and outside, and the internal handle follower mechanism is not reversible. Therefore when specifying these locks both the door handing AND whether the door opens inwards or outwards MUST be stated.

Escape double nightlatches / ASSA Modular



Application

Locks for doors where automatic deadlocking is required, such as classrooms, offices, industrial premises, apartments etc. Unrestricted exit facilities at all times.

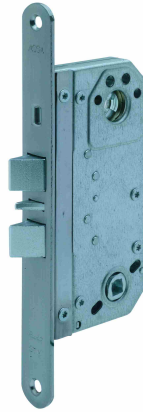
Cylinders



- ASSA 5-Pin
- ASSA Flexcore Plus
- ASSA 4800
- ASSA Twin Combi
- ASSA dp4400
- ASSA CLIQ

Scandinavian Oval or Round

Can be incorporated into an ASSA master key system



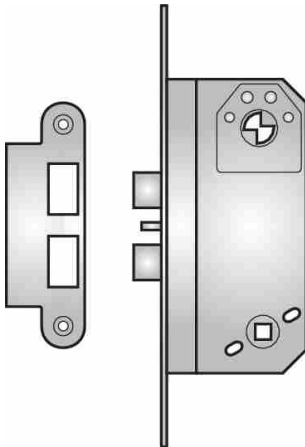
Supplied as standard with striking plate. Cylinder and accessories bolt through lockcase for added strength.

Key can only be removed in locked (or locked-back) position.

For finishes, handing and dimensions see Lockcases Information appendix.

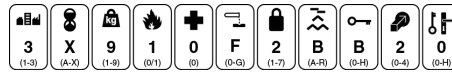
Split follower locks provide different functions on the inside and outside, and the internal handle follower mechanism is not reversible. Therefore when specifying these locks both the door handing AND whether the door opens inwards or outwards MUST be stated.

500/4 double nightlatch with snib lock-back



Upright mortice locking latch with cylinder outside and blind rose inside. Upper bolt deadlocks automatically when door is closed. Snib for locking bolt into lockcase. Internal handle gives exit at all times. Available with either 50mm or 70mm backset.

Exterior		Interior
Upper latchbolt automatically deadlocked. Key retracts both latchbolts. Lever handle retracts lower latchbolt.		Lever handle retracts both latchbolts. Upper latchbolt held back by snib in faceplate.

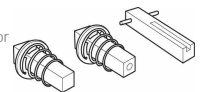


Product has been successfully type-tested for conformity to BS EN 12209. Regular audit testing is undertaken.

Spindles

Special split spindles must be used where lever handles are fitted to ASSA Split Follower Locks. ASSA lever handles are recommended. If other lever handles are used, contact us for advice.

Please note that the exact type of spindle to specify varies depending on the lever handle range to be used. See Door Furniture section for details.



Special sash lock / ASSA Modular



Application

For external doors on houses. Allows free escape in a fire, but if the building is left empty the lock will prevent intruders opening the door from inside. It thus complies with the access/egress requirements of both BS 3621 and BS 8621.

Cylinders



- ASSA 5-Pin
- ASSA Flexcore Plus
- ASSA 4800
- ASSA Twin Combi
- ASSA dp4400
- ASSA CLIQ

Scandinavian Oval or Round

Can be incorporated into an ASSA master key system



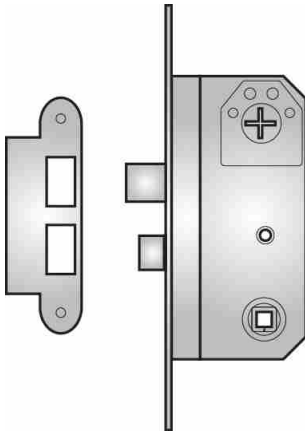
Supplied with double cylinder and thumbturn, which is recommended for safety reasons. May also be fitted with a single external cylinder.

Supplied as standard as a complete package, with 4802 double cylinder with 3 keys, cylinder rings, pair of 640 handles, security striking plate and pair of backplates. Cylinder and accessories bolt through lockcase for strength.

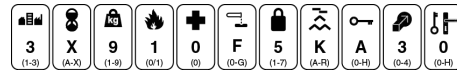
For finishes and dimensions see Lockcases Information appendix.

When ordering please specify hand and door thickness.

2000 sash lock



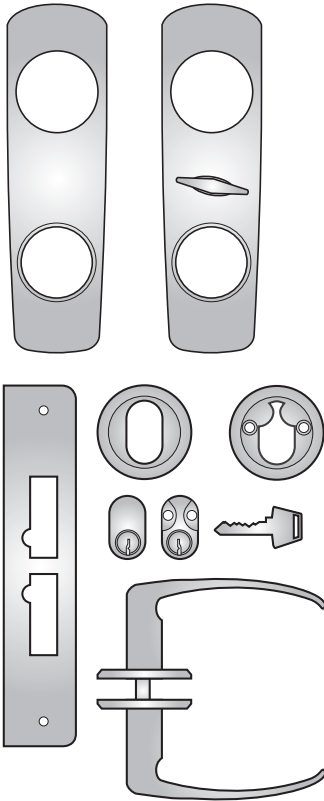
Hardened steel deadbolt thrown 21mm by 360° turn of key or thumbturn. Latchbolt reversible without opening lockcase. Available with 50mm backset only.



Product has been successfully type-tested for conformity to BS EN 12209. Regular audit testing is undertaken.

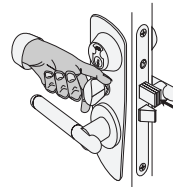
Special sash lock

↘ 2000 sash lock accessories



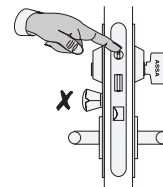
Ref	Exterior		Interior	
D/C	Key operates deadbolt. Lever handle retracts latchbolt. Unlocking with key re-activates internal thumbturn.		Key operates deadbolt. Turn only operates deadbolt if the faceplate snib is not activated. Lever handle retracts latchbolt.	With double cylinder, once the snib has been activated it is possible to open the door from inside only by using a key.
S/C	Key operates deadbolt. Lever handle retracts latchbolt. Unlocking with key re-activates internal thumbturn.		Turn only operates deadbolt if the faceplate snib is not activated. Lever handle retracts latchbolt.	With single cylinder, once the snib has been activated there is no way to open the door from inside.

OPERATION OF THE CONNECT 2002 & MODULAR 2000 LOCKS



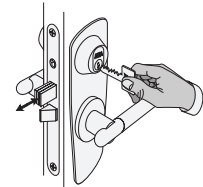
Building Occupied

Quick, easy escape without needing key.



All Residents Leave

The escape function can be deactivated – but only by a deliberate action.



Building Unoccupied

Access from either side by key only. Unlocking the door re-activates the escape function.

Hookbolt locks / ASSA Modular



Application

Locks which are particularly suitable for high security applications, as the hookbolt gives maximum resistance to attack. Also suitable for sliding doors, double doors and gates.

Cylinders



- ASSA 5-Pin
- ASSA Flexcore Plus
- ASSA 4800
- ASSA Twin Combi
- ASSA dp4400
- ASSA CLIQ

Scandinavian Oval or Round

Can be incorporated into an ASSA master key system



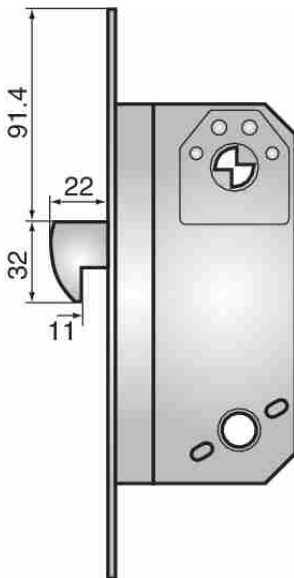
Available with single cylinder and thumbturn, or alternatively with double cylinders or single cylinder only.

Optional high security striking plate (Ref: 46 88 97) available - must be ordered separately. Cylinder and accessories bolt through lockcase for added strength.

Available in Bright Zinc finish only. For dimensions see Lockcases Information appendix.

When ordering please specify door thickness.

2587 hookbolt lock



Hardened steel hookbolt projects 22mm, thrown by 90° turn of key or thumbturn.

Lockcase of zinc plated steel.

Available with 50mm backset only.

Can also be used with 265 accessory to make a toilet lock.

Exterior		Interior
Key operates hookbolt.		Turn operates hookbolt.
3 (1-3)	C (A-X)	9 (1-9)
0 (0-1)	0 (0)	0 (0-1)
F (0-G)	3 (1-7)	A (A-R)
A (0-H)	A (0-H)	0 (0-4)
0 (0-H)		0 (0-H)

Product has been successfully type-tested for conformity to BS EN 12209. Regular audit testing is undertaken.

Optional striking plate

Please note that this must be ordered separately.
46 88 97 High security strike

Hookbolt locks / ASSA Modular



Application

Locks which are particularly suitable for high security applications, as the hookbolt gives maximum resistance to attack. Also suitable for sliding doors, double doors and gates.

Cylinders



- ASSA 5-Pin
- ASSA Flexcore Plus
- ASSA 4800
- ASSA Twin Combi
- ASSA dp4400
- ASSA CLIQ

Scandinavian Oval or Round

Can be incorporated into an ASSA master key system



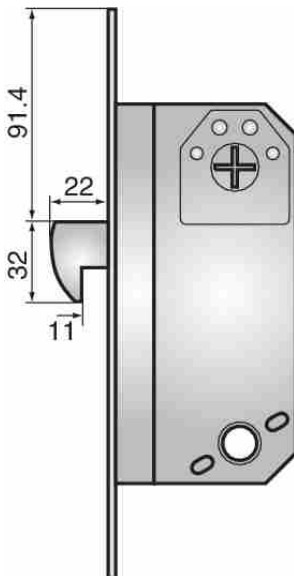
Available with single cylinder and thumbturn, or alternatively with double cylinders or single cylinder only.

Optional high security striking plate (Ref: 46 88 97) available - must be ordered separately. Cylinder and accessories bolt through lockcase for added strength.

Available in Bright Zinc finish only. For dimensions see Lockcases Information appendix.

When ordering please specify door thickness.

9787 high security hookbolt lock



Hardened steel hookbolt projects 22mm, thrown by 360° turn of key or thumbturn.

Lockcase of zinc plated steel.

Available with 50mm backset only.

Exterior		Interior
Key operates hookbolt.		Turn operates hookbolt.

3 (1-3)	C (A-X)	9 (1-9)	0 (0-1)	0 (0)	F (0-G)	4 (1-7)	A (A-R)	A (0-H)	0 (0-4)	0 (0-H)
------------	------------	------------	------------	----------	------------	------------	------------	------------	------------	------------

Product has been successfully type-tested for conformity to BS EN 12209. Regular audit testing is undertaken.

Optional striking plate

Please note that this must be ordered separately.
46 88 97 High security strike

Roller bolt lock / ASSA Modular



Application

Roller latch suitable for single swing and double swing doors. Ideal for push/pull doors on applications such as shops, entrances, inner doors and toilet cubicles.

Cylinders



- ASSA 5-Pin
- ASSA Flexcore Plus
- ASSA 4800
- ASSA Twin Combi
- ASSA dp4400
- ASSA CLIQ

Scandinavian Oval or Round

Can be incorporated into an ASSA master key system



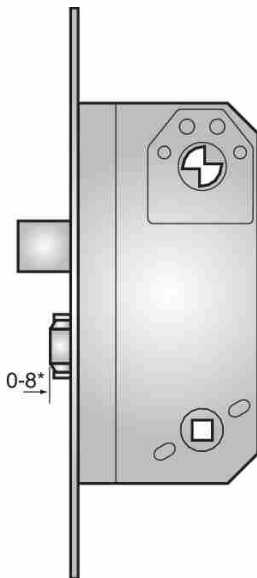
Available with single cylinder and thumbturn, or alternatively with double cylinder, toilet accessory set 265, flip-up handle sets 9565T or 9566T-1, or Clutch Thumbturn.

Key can be removed in locked or unlocked position.

Optional striking plates supplied separately. Strikes for single swing and double swing doors are available: the single swing strikes are handed.

Available in Satin Chrome finish only. For dimensions see Lockcases Information appendix.

766 roller bolt lock



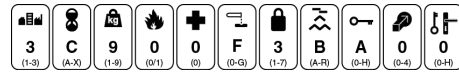
Hardened steel deadbolt thrown 21mm by 90° turn of key or thumbturn.

Brass roller latch retains door in closed position*. The roller latch may be retracted by lever handle, or simply by pushing/pulling the door. Note that the key/thumbturn does not retract the roller latch.

Available with either 50mm or 70mm backset.

* Roller latch is adjustable from 0mm to 8mm using the screw on the faceplate under the roller latch.

When the roller latch is correctly aligned with the narrow aperture there is no pressure on the deadbolt.



Product has been successfully type-tested for conformity to BS EN 12209. Regular audit testing is undertaken.

Optional striking plates

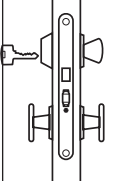
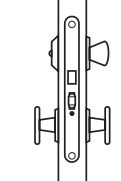
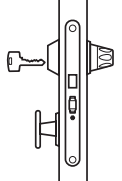
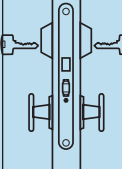
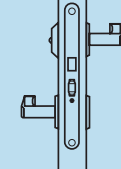
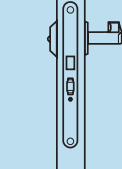
Please note that these must be ordered separately.



Single Swing Strikes
36 05 89 for 44mm doors
36 05 91 for 54mm doors

Double Swing Strikes
36 05 90 for 44mm doors
36 05 92 for 54mm doors

Roller bolt lock

Exterior		Interior	Exterior		Interior	Exterior		Interior
Key operates deadbolt. Pull handle or deadknob for use as door pull.		Thumbturn operates deadbolt. Pull handle or deadknob for use as door pull.	Indicator rose with emergency device. Pull handle or deadknob for use as door pull.		Thumbturn operates deadbolt and indicator. Pull handle or deadknob for use as door pull.	Key operates deadbolt. Pull handle or deadknob for use as door pull.		Clutch Thumbturn operates deadbolt. Clutch Thumbturn also for use as door pull.
Key operates deadbolt. Pull handle or deadknob for use as door pull.		Key operates deadbolt. Pull handle or deadknob for use as door pull.	Indicator rose with emergency device. Lever handle operates roller latch.		Lever handle flips up to lock, down to unlock deadbolt. Lever handle also for use as door pull.	Indicator rose with emergency device.		Lever handle flips up to lock, down to unlock deadbolt. Lever handle also for use as door pull.

Note: A lever handle may also be fitted in place of a deadknob or pull handle in the applications shown above. This will operate the roller latch.

Triple latching sets / ASSA Modular



Application

Triple latching sets for use on steel fire resisting doors as specified by the Loss Prevention Council, which represents interested parties including the Department of Trade and Industry, Lloyds and the Fire Officers Committee.

Cylinders



Scandinavian Oval or Round

- ASSA 5-Pin
- ASSA Flexcore Plus
- ASSA 4800
- ASSA Twin Combi
- ASSA dp4400
- ASSA CLIQ

Can be incorporated into an ASSA master key system



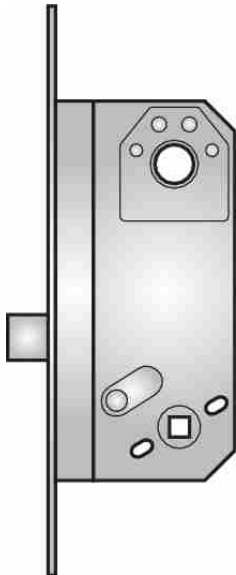
The 5765 cylinder lockcase is available with single cylinder and thumbturn, or double cylinders as an option.

Supplied as standard without striking plate. Cylinder and accessories bolt through lockcase for added strength.

For finishes and dimensions see Lockcases Information appendix.

When ordering please specify hand, direction of door opening and door thickness.

5498 latch



Latchbolt is extended to 16mm to ensure 13mm engagement in the striking plate. Lever handles droop if the latchbolts are not fully engaged in the striking plate.

Each latchbolt follower is fitted with an additional arm incorporating a stub. The stubs protrude from the side of lockcases. When the three stubs are joined together with a steel bar (not supplied by ASSA ABLOY Security Solutions) inside the door, the latches can then be operated simultaneously with a single central lever handle.

Available with 50mm backset only.

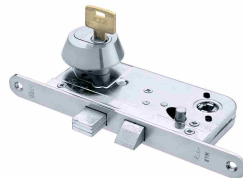
Exterior		Interior
Lever handle retracts all latchbolts.		Lever handle retracts all latchbolts.

Triple latching sets / ASSA Modular



Application

Triple latching sets for use on steel fire resisting doors as specified by the Loss Prevention Council, which represents interested parties including the Department of Trade and Industry, Lloyds and the Fire Officers Committee.



The 5765 cylinder lockcase is available with single cylinder and thumbturn, or double cylinders as an option.

Supplied as standard without striking plate. Cylinder and accessories bolt through lockcase for added strength.

For finishes and dimensions see Lockcases Information appendix.

When ordering please specify hand, direction of door opening and door thickness.

Cylinders

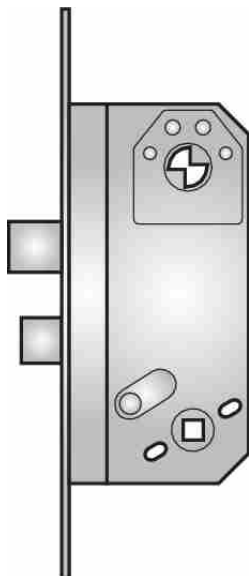


Scandinavian Oval or Round

Can be incorporated into an ASSA master key system

- ASSA 5-Pin
- ASSA Flexcore Plus
- ASSA 4800
- ASSA Twin Combi
- ASSA dp4400
- ASSA CLIQ

5765 sash lock



Hardened steel deadbolt is thrown 21mm by 90° turn of key or thumbturn.

Latchbolt is extended to 16mm to ensure 13mm engagement in the striking plate. Lever handles droop if the latchbolts are not fully engaged in the striking plate.

Each latchbolt follower is fitted with an additional arm incorporating a stub. The stubs protrude from the side of lockcases. When the three stubs are joined together with a steel bar (not supplied by ASSA ABLOY Security Solutions) inside the door, the latches can then be operated simultaneously with a single central lever handle.

Available with 50mm backset only.

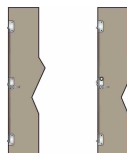
Exterior		Interior
Key operates deadbolt.		Thumbturn operates deadbolt.
Lever handle retracts all latchbolts.		Lever handle retracts all latchbolts.

The ASSA Triple Latch is available in two alternative sets, either as pure latching or latching with a facility for deadlocking the door.

For handing guidance please refer to the handing diagram in the appendix.

Alternative 1:
3 x 5498 Latches

Alternative 2:
2 x 5498 Latches
1 x 5765 Cylinder Lock



Sash locks / ASSA Connect



Application

Locks for shops and entrance doors to private houses, industrial premises, offices or for any situation where a key operated hookbolt lock is required plus a latch and lever handles.

Cylinders



- ASSA 5-Pin
- ASSA Flexcore Plus
- ASSA 4800
- ASSA Twin Combi
- ASSA dp4400
- ASSA CLIQ

Scandinavian Oval or Round*

Can be incorporated into an ASSA master key system

* 35mm locks may require Scan. Rim cylinder.



Available with single cylinder and thumbturn, or alternatively with double cylinders or single cylinder only.

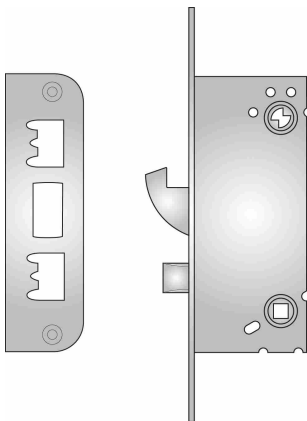
Supplied as standard with striking plate.

Cylinder and accessories bolt through lockcase for added strength. Key can be removed in locked or unlocked position.

For finishes and dimensions see Lockcases Information appendix.

When ordering please specify hand and door thickness.

310 sash lock



Steel hookbolt thrown 23.5mm by 90° turn of key or thumbturn.

Latchbolt reversible without opening lockcase.

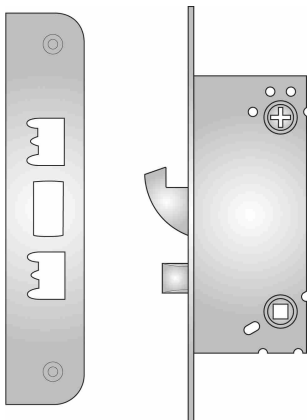
Available with 35mm, 50mm or 70mm backset.

Option of MA microswitches to monitor hookbolt thrown and withdrawn status.

Exterior		Interior
Key operates hookbolt and latchbolt. Lever handle retracts latchbolt.		Turn operates hookbolt and latchbolt. Lever handle retracts latchbolt.
3 (1-3)	X (A-X)	9 (1-9)
1 (0-1)	0 (0)	1 (0-1)
F (0-G)	3 (1-7)	B (A-R)
3 (0-H)	A (0-H)	3 (0-4)
0 (0-H)	0 (0-H)	0 (0-H)

Product has been successfully type-tested for conformity to BS EN 12209. Regular audit testing is undertaken.

410 high security sash lock



Special high security lockcase. Hardened steel hookbolt thrown 23.5mm by single 360° turn of key or thumbturn.

Latchbolt reversible without opening lockcase.

Available with 35mm, 50mm or 70mm backset.

Option of MA microswitches to monitor hookbolt thrown and withdrawn status.

Exterior		Interior
Key operates hookbolt. Lever handle retracts latchbolt.		Turn operates hookbolt. Lever handle retracts latchbolt.
3 (1-3)	X (A-X)	9 (1-9)
1 (0-1)	0 (0)	1 (0-1)
F (0-G)	5 (1-7)	B (A-R)
3 (0-H)	A (0-H)	3 (0-4)
0 (0-H)	0 (0-H)	0 (0-H)

Product has been successfully type-tested for conformity to BS EN 12209. Regular audit testing is undertaken.

Deadlocks / ASSA Connect



Application

Locks for entrance doors, corridor and other swing doors with door pulls and push plates. Also as a secondary lock on any door.

Cylinders



- ASSA 5-Pin
- ASSA Flexcore Plus
- ASSA 4800
- ASSA Twin Combi
- ASSA dp4400
- ASSA CLIQ

Scandinavian Oval or Round*

Can be incorporated into an ASSA master key system

* 35mm locks may require Scan. Rim cylinder.



Available with single cylinder and thumbturn, or alternatively with double cylinders or single cylinder only.

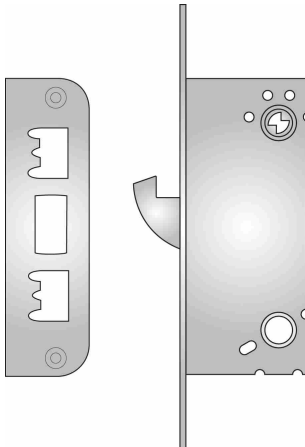
Supplied as standard with striking plate.

Cylinder and accessories bolt through lockcase for added strength. Key can be removed in locked or unlocked position.

For finishes and dimensions see Lockcases Information appendix.

When ordering please specify door thickness.

311 deadlock



Steel hookbolt thrown 23.5mm by 90° turn of key or thumbturn.

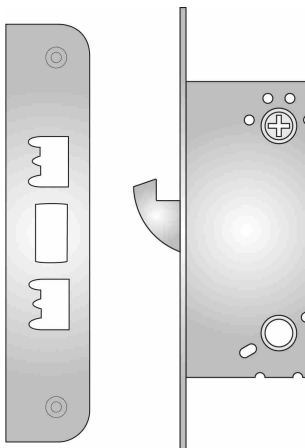
Available with 35mm, 50mm or 70mm backset.

Option of MA microswitches to monitor hookbolt thrown and withdrawn status.

Exterior		Interior
Key operates hookbolt.		Turn operates hookbolt.
3 X 9 1 0 F 3 A A 0 0		

Product has been successfully type-tested for conformity to BS EN 12209. Regular audit testing is undertaken.

411 high security deadlock



Hardened steel hookbolt thrown 23.5mm by single 360° turn of key or thumbturn.

Available with 35mm, 50mm or 70mm backset.

Option of MA microswitches to monitor hookbolt thrown and withdrawn status.

Exterior		Interior
Key operates hookbolt.		Turn operates hookbolt.
3 X 9 1 0 F 4 A A 0 0		

Product has been successfully type-tested for conformity to BS EN 12209. Regular audit testing is undertaken.

Mortice latch / ASSA Connect



Application

Latch for inner doors where locking is not required.



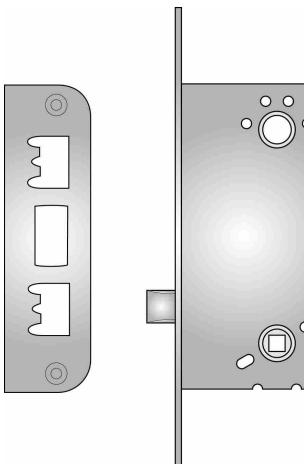
Accessories bolt through lockcase for added strength.

Supplied as standard with striking plate.

For finishes and dimensions see Lockcases Information appendix.

When ordering please specify hand and door thickness.

212 latch



Latch for inner doors. Latchbolt reversible without opening lockcase. No locking device. For use with lever handles.

Available with 35mm, 50mm or 70mm backset.

Exterior		Interior
Lever handle retracts latchbolt.		Lever handle retracts latchbolt.
3 (1-3)	X (A-X)	9 (1-9)
1 (0-1)	0 (0)	1 (1-7)
F (0-G)	1 (1-7)	B (A-R)
H (0-H)	3 (0-4)	0 (0-H)

Product has been successfully type-tested for conformity to BS EN 12209. Regular audit testing is undertaken.

Mortice nightlatches / ASSA Connect



Application

Locks for entrance doors where automatic locking is required when door is closed.

Cylinders

- ASSA 5-Pin
- ASSA Flexcore Plus
- ASSA 4800
- ASSA Twin Combi
- ASSA dp4400
- ASSA CLIQ



Scandinavian Oval or Round*

Can be incorporated into an ASSA master key system

* 35mm locks may require Scan. Rim cylinder.



Available with single cylinder and thumbturn, or alternatively with double cylinders or single cylinder only.

Supplied as standard with striking plate.

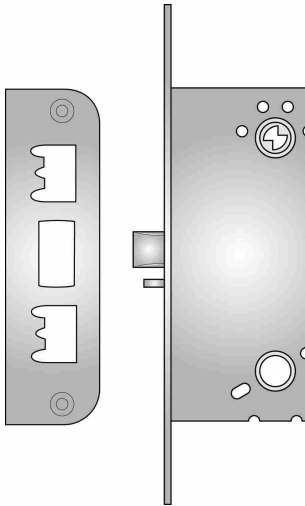
Cylinder and accessories bolt through lockcase for added strength.

Key can only be removed in locked (or locked-back) position.

For finishes and dimensions see Lockcases Information appendix.

When ordering please specify hand and door thickness.

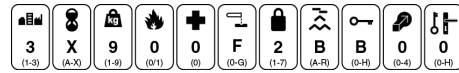
230 nightlatch with snib lock-back



Bolt deadlocks automatically when door is closed. Snib for locking bolt into lockcase. Bolt reversible without opening lockcase.

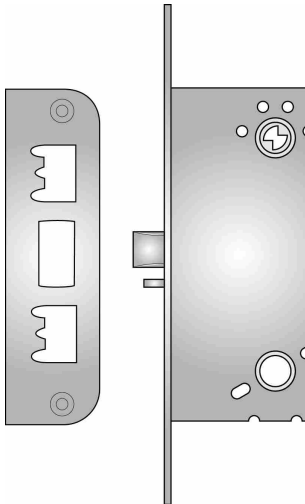
Available with 35mm, 50mm or 70mm backset.

Exterior		Interior
Latchbolt automatically deadlocked. Key retracts latchbolt.		Turn retracts latchbolt. Latchbolt held back by snib in faceplate.



Product has been successfully type-tested for conformity to BS EN 12209. Regular audit testing is undertaken.

231 nightlatch with key lock-back

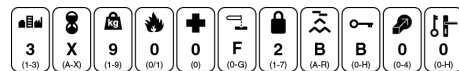


Bolt deadlocks automatically when door is closed.

Key for locking bolt into lockcase. Bolt reversible without opening lockcase.

Available with 35mm, 50mm or 70mm backset.

Exterior		Interior
Latchbolt automatically deadlocked. Key retracts latchbolt.		Turn retracts latchbolt. Latchbolt held back by key in faceplate.



Product has been successfully type-tested for conformity to BS EN 12209. Regular audit testing is undertaken.

Mortice nightlatches / ASSA Connect



Application

Locks for entrance doors where automatic locking is required when door is closed.

Cylinders



- ASSA 5-Pin
- ASSA Flexcore Plus
- ASSA 4800
- ASSA Twin Combi
- ASSA dp4400
- ASSA CLIQ

Scandinavian Oval or Round*

Can be incorporated into an ASSA master key system

* 35mm locks may require Scan. Rim cylinder.



Available with single cylinder and thumbturn, or alternatively with double cylinders or single cylinder only.

Supplied as standard with striking plate.

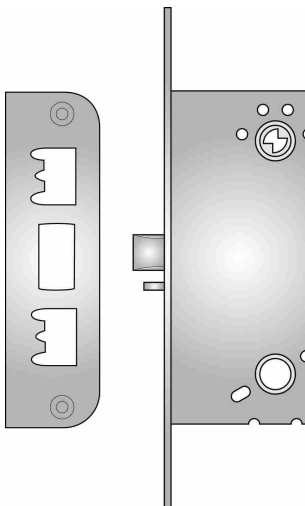
Cylinder and accessories bolt through lockcase for added strength.

Key can only be removed in locked (or locked-back) position.

For finishes and dimensions see Lockcases Information appendix.

When ordering please specify hand and door thickness.

232 nightlatch without lock-back

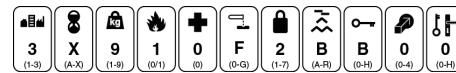


Bolt deadlocks automatically when door is closed. No locking of bolt into lockcase.

Bolt reversible without opening lockcase.

Available with 35mm, 50mm or 70mm backset.

Exterior		Interior
Latchbolt automatically deadlocked. Key retracts latchbolt.		Turn retracts latchbolt.



Product has been successfully type-tested for conformity to BS EN 12209. Regular audit testing is undertaken.

Optional Microswitches

MF microswitches: Monitor bolt deadlatching and use of cylinder/thumbturn.

MD microswitch: Monitors lock-back (on 230 & 231).

Double nightlatches / ASSA Connect



Application

Locks for classroom doors, offices, industrial premises, apartments, etc.

Cylinders

- ASSA 5-Pin
- ASSA Flexcore Plus
- ASSA 4800
- ASSA Twin Combi
- ASSA dp4400
- ASSA CLIQ



Scandinavian Oval or Round*

Can be incorporated into an ASSA master key system

* 35mm locks may require Scan. Rim cylinder.



Available with single cylinder and thumbturn, or alternatively with double cylinders or single cylinder only.

Supplied as standard with striking plate.

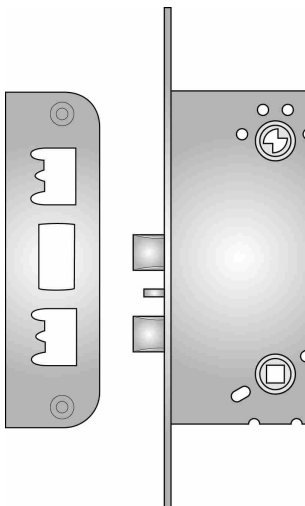
Cylinder and accessories bolt through lockcase for added strength.

Key can only be removed in locked (or locked-back) position.

For finishes and dimensions see Lockcases Information appendix.

When ordering please specify hand and door thickness.

220 double nightlatch with snib lock-back

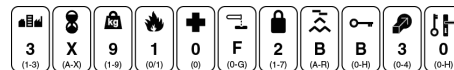


Upper bolt deadlocks automatically when door is closed. Snib for locking the upper bolt into lockcase. Lower bolt operated by lever handle. Bolts reversible without opening lockcase.

Available with 35mm, 50mm or 70mm backset.

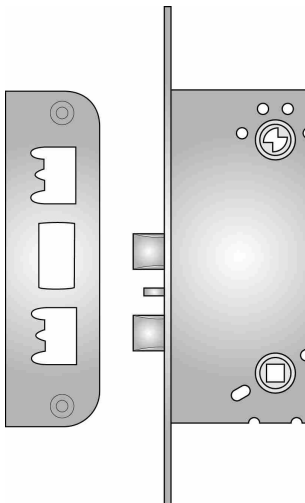
Optional microswitches: MF monitors bolt deadlatching and use of cylinder/thumbturn MD monitors lock-back.

Exterior		Interior
Upper latchbolt automatically deadlocked.		Turn retracts both latchbolts. Lever handle retracts lower latchbolt.
Key retracts both latchbolts. Lever handle retracts lower latchbolt.		Upper latchbolt held back by snib in faceplate.



Product has been successfully type-tested for conformity to BS EN 12209. Regular audit testing is undertaken.

221 double nightlatch with key lock-back

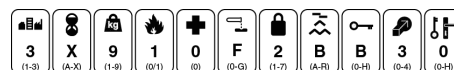


Upper bolt deadlocks automatically when door is closed. Key for locking the upper bolt into lockcase. Lower bolt operated by lever handle. Bolts reversible without opening lockcase.

Available with 35mm, 50mm or 70mm backset.

Optional microswitches: MF monitors bolt deadlatching and use of cylinder/thumbturn MD monitors lock-back.

Exterior		Interior
Upper latchbolt automatically deadlocked.		Turn retracts both latchbolts. Lever handle retracts lower latchbolt.
Key retracts both latchbolts. Lever handle retracts lower latchbolt.		Upper latchbolt held back by key in faceplate.



Product has been successfully type-tested for conformity to BS EN 12209. Regular audit testing is undertaken.

Emergency nightlatches light / ASSA Connect



Application

Locks for exit doors offering a high degree of security, but with unrestricted exit in an emergency. Ideally suited for hotels, factories, hospitals, schools, offices etc. Also suitable for use with electric strikes.

Cylinders



- ASSA 5-Pin
- ASSA Flexcore Plus
- ASSA 4800
- ASSA Twin Combi
- ASSA dp4400
- ASSA CLIQ

Scandinavian Oval or Round*

Can be incorporated into an ASSA master key system

* 35mm locks may require Scan. Rim cylinder.



Available with double or single cylinder.

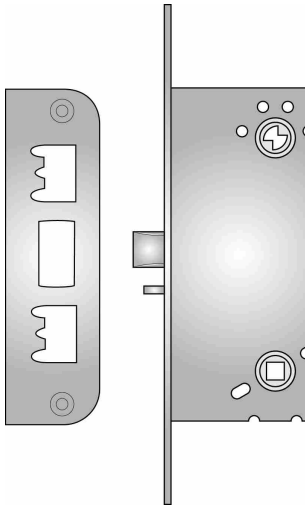
Supplied as standard with striking plate.

Cylinder and accessories bolt through lockcase for added strength. Key can only be removed in locked position.

For finishes and dimensions see Lockcases Information appendix. For accessory configurations see Variations insert.

When ordering please specify hand and door thickness.

235 light sprung nightlatch without lock-back

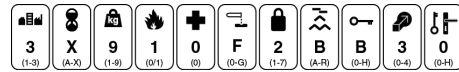


Bolt deadlocks automatically when door is closed. Bolt reversible without opening lockcase.

Light handle follower springing, suitable for use with emergency break-dome thumbturn.

Available with 35mm, 50mm or 70mm backset.

Optional microswitch MC monitors bolt deadlatching, use of cylinder/thumbturn and use of emergency accessory.



Product has been successfully type-tested for conformity to BS EN 12209. Regular audit testing is undertaken.

Emergency nightlatches - light

Variations

Emergency accessory variations for use with 235 light sprung emergency nightlatches.

To select a function as described in the table, quote the appropriate variation number.

Emergency dome

The Dome is held in place by two plastic 'Break Pins'. In an emergency twisting off the Dome, thereby snapping the pins, will give exit to non-key holders.

The Dome is retained on a chain, and replacement 'Break Pins' can simply be pressed into place.

Options available are:

8560 Single

8560 Double

8560 with Deadknob

Var.	Ref.	Exterior		Interior
1	8760 or 8764	Key operation.		Key operation. Emergency exit 'break-dome' thumbturn for non key-holders.
2	8760 or 8764	Key operation. Dead knob for use as door pull only.		Key operation. Emergency exit 'break-dome' thumbturn for non key-holders.
3	8760 or 8764	Key operation. Emergency exit 'break-dome' thumbturn for non key-holders.		Key operation. Emergency exit 'break-dome' thumbturn for non key-holders.
7	8760 or 8764	No access at any time.		Key operation. Emergency exit 'break-dome' thumbturn for non key-holders.
8	8760 or 8764	Key operation.		Emergency exit 'break-dome' thumbturn.
9	8760 or 8764	Key operation. Emergency exit 'break-dome' thumbturn for non key-holders.		Emergency exit 'break-dome' thumbturn.
10	8760 or 8764	Emergency exit 'break-dome' thumbturn.		Key operation. Emergency exit 'break-dome' thumbturn for non-key holders.

Var.	Ref.	Exterior		Interior
11	8760 or 8764	Dead knob for use as door pull only.		Key operation. Emergency exit 'break-dome' thumbturn for non key-holders.
12	8760 or 8764	Key operation. Dead knob for use as door pull only.		Emergency exit 'break-dome' thumbturn.
13	8760 or 8764	Key operation. Emergency exit 'break-dome' thumbturn for non key-holders.		Lever handle giving free passage at all times.
21	8760 or 8764	No access at any time.		Emergency exit 'break-dome' thumbturn.
22	8760 or 8764	Emergency exit 'break-dome' thumbturn.		Emergency exit 'break-dome' thumbturn.
23	8760 or 8764	Dead knob for use as door pull only.		Emergency exit 'break-dome' thumbturn.
24	8760 or 8764	Emergency exit 'break-dome' thumbturn.		Lever handle giving free access at all times.

Emergency nightlatches / ASSA Connect



Application

Locks for exit doors offering a high degree of security, but with unrestricted exit in an emergency. Ideally suited for hotels, factories, hospitals, schools, offices etc. Also suitable for use with electric strikes.

Cylinders



- ASSA 5-Pin
- ASSA Flexcore Plus
- ASSA 4800
- ASSA Twin Combi
- ASSA dp4400
- ASSA CLIQ

Scandinavian Oval or Round

Can be incorporated into an ASSA master key system

* 35mm locks may require Scan. Rim cylinder.



Available with double or single cylinder.

Supplied as standard with striking plate.

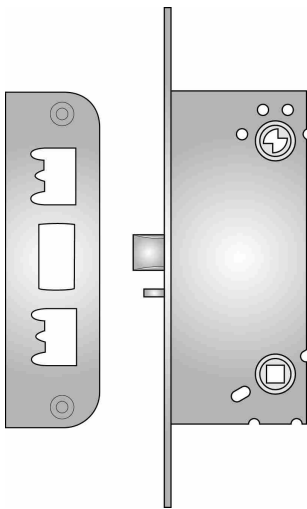
Cylinder and accessories bolt through lockcase for added strength.

Key can only be removed in locked position.

For finishes and dimensions see Lockcases Information appendix. For accessory configurations see Variations insert.

When ordering please specify hand and door thickness.

236 nightlatch without lock-back

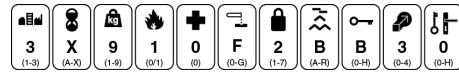


Bolt deadlocks automatically when door is closed. Bolt reversible without opening lockcase.

Suitable for use with lever handle.

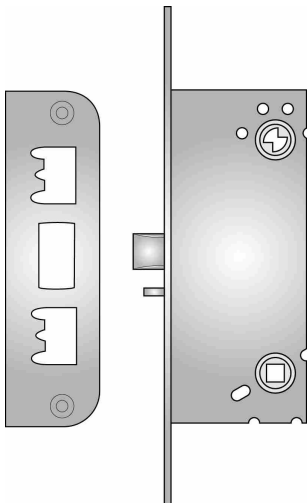
Available with 35mm, 50mm or 70mm backset.

Optional microswitch MC monitors bolt deadlatching, use of cylinder/thumbturn and use of handle.



Product has been successfully type-tested for conformity to BS EN 12209. Regular audit testing is undertaken.

234 nightlatch with key lock-back

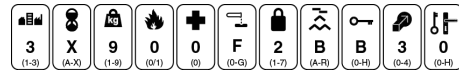


Bolt deadlocks automatically when door is closed. Key for locking bolt into lockcase. Bolt reversible without opening lockcase.

Suitable for use with lever handle.

Available with 35mm, 50mm or 70mm backset.

Optional microswitches: MC microswitch monitors bolt deadlatching, use of cylinder/thumbturn and use of handle MD microswitch monitors lock-back.



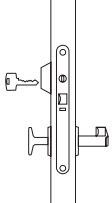
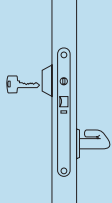
Product has been successfully type-tested for conformity to BS EN 12209. Regular audit testing is undertaken.

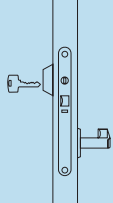
Emergency nightlatches

Variations

Variations for use with 236 and 234 emergency nightlatches. Offer easy exit by lever handle at all times. Suitable for main entrance doors, access control applications and hotel bedrooms.

Note: the 20A and 20B sets listed in the Door Furniture section are lever handle sets; the cylinder and cylinder accessory set will need to be specified separately to make up these variations.

Var.	Ref.	Exterior		Interior
20	8761 8762 or 8759	Key operation. Dead knob for use as door pull only.		Lever handle giving free passage at all times.
20B	8761 8762 or 8759	Key operation.		Return to door lever handle giving free passage at all times.

Var.	Ref.	Exterior		Interior
20A	8761 8762 or 8759	Key operation.		Lever handle giving free passage at all times.

Emergency locks / ASSA Connect



Application

Locks permitting escape to non-keyholders in an emergency situation. Ideal for offices, emergency access doors, etc.

Cylinders



- ASSA 5-Pin
- ASSA Flexcore Plus
- ASSA 4800
- ASSA Twin Combi
- ASSA dp4400
- ASSA CLIO

Scandinavian Oval or Round*

Can be incorporated into an ASSA master key system

* 35mm locks may require Scan. Rim cylinder.



Available with double or single cylinder.

Supplied as standard with striking plate.

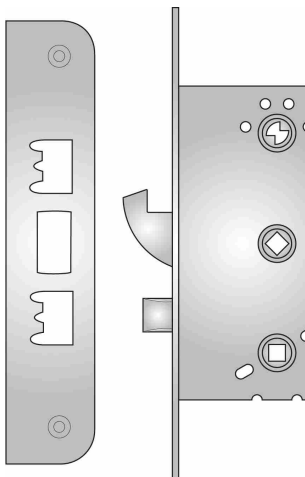
Cylinder and accessories bolt through lockcase for added strength.

Key can be removed in locked or unlocked position.

For finishes and dimensions see Lockcases Information appendix.

When ordering please specify hand and door thickness.

710 emergency sash lock



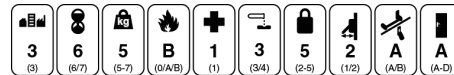
Steel hookbolt thrown 23.5mm by 90° turn of key or thumbturn.

Latchbolt reversible without opening lockcase. Emergency handle on inside withdraws hookbolt to permit escape hookbolt remains retracted until re-locked by key.

Optional microswitch ME monitors bolt deadlocking and use of emergency accessory.

Available with 35mm, 50mm or 70mm backset.

Exterior		Interior
Key operates hookbolt.		Key operates hookbolt. Lever handle retracts latchbolt. Escape handle retracts both bolts.
Lever handle retracts latchbolt.		



Product has been successfully type-tested for conformity to BS EN 179 when used with the emergency accessories shown. Regular audit testing is undertaken.

Product also complies with BS EN 12209. Classification 3 X 9 1 0 F 3 B B 3 0

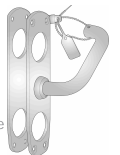
Emergency accessory sets feature backplates and lever handle. The handle can be secured by a breakable green plastic chain, which gives a clear visual indication when the door has been opened.

179A: With handle and cylinder holes: for use with 710 sash lock (50 or 70mm backset only). Tested and approved to BS EN 179.

S4 179A: As 179A for 35mm backset locks.

May also be supplied in pairs for emergency access from both sides of the door. Use reference 179A Double.

When ordering please specify handing.



Emergency locks / ASSA Connect



Application

Locks permitting escape to non-keyholders in an emergency situation. Ideal for offices, emergency access doors, etc.

Cylinders



- ASSA 5-Pin
- ASSA Flexcore Plus
- ASSA 4800
- ASSA Twin Combi
- ASSA dp4400
- ASSA CLIO

Scandinavian Oval or Round*

Can be incorporated into an ASSA master key system

* 35mm locks may require Scan. Rim cylinder.



Available with double or single cylinder.

Supplied as standard with striking plate.

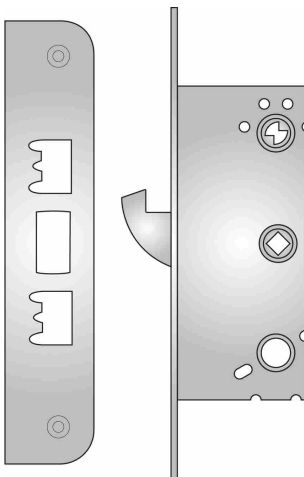
Cylinder and accessories bolt through lockcase for added strength.

Key can be removed in locked or unlocked position.

For finishes and dimensions see Lockcases Information appendix.

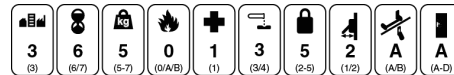
When ordering please specify hand and door thickness.

711 emergency deadlock



Steel hookbolt thrown 23.5mm by 90° turn of key or thumbturn. Emergency handle on inside withdraws hookbolt to permit escape hookbolt remains retracted until re-locked by key. Optional microswitch ME monitors bolt deadlocking and use of emergency accessory. Available with 35mm, 50mm or 70mm backset.

Exterior		Interior
Key operates hookbolt.		Key operates hookbolt. Escape handle retracts hookbolt.



Product has been successfully type-tested for conformity to BS EN 179 when used with the emergency accessories shown. Regular audit testing is undertaken.

Product also complies with BS EN 12209. Classification 3 X 9 1 0 F 3 B B 3 0

Emergency accessory sets feature backplates and lever handle. The handle can be secured by a breakable green plastic chain, which gives a clear visual indication when the door has been opened.
179B: With cylinder hole: for use with 711 deadlock (50mm or 70mm backset only). Tested and approved to BS EN 179.
S4 179B: As 179B for 35mm backset locks.
May also be supplied in pairs for emergency access from both sides of the door. Use reference 179B Double.
When ordering please specify handing.



Emergency lock / ASSA Connect



Application

Locks permitting escape to non-keyholders in an emergency situation. Ideal for offices, emergency access doors, etc.

Cylinders



Scandinavian Oval or Round*

- ASSA 5-Pin
- ASSA Flexcore Plus
- ASSA 4800
- ASSA Twin Combi
- ASSA dp4400
- ASSA CLIO

Can be incorporated into an ASSA master key system

* 35mm locks may require Scan. Rim cylinder.



Available with double or single cylinder.

Supplied as standard with striking plate.

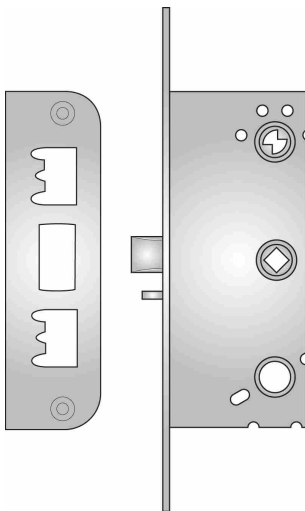
Cylinder and accessories bolt through lockcase for added strength.

Key can only be removed in locked position.

For finishes and dimensions see Lockcases Information appendix.

When ordering please specify hand and door thickness.

732 emergency nightlatch



Bolt deadlocks automatically when door is closed. Key for locking bolt into lockcase. Bolt reversible without opening lockcase. Emergency handle on inside withdraws latchbolt to permit escape door re-locks automatically when closed. Optional microswitch MG monitors bolt deadlatching, use of cylinder/thumbturn and use of emergency accessory. Available with 35mm, 50mm or 70mm backset.

Exterior		Interior
Latchbolt automatically deadlocked. Key retracts latchbolt.		Key retracts latchbolt. Escape handle also retracts latchbolt.
3 (3)	6 (8/7)	5 (5-7)
B (0/A/B)	1 (1)	3 (3/4)
5 (2-5)	2 (1/2)	A (A/B)
A (A-D)		A (A-D)

Product has been successfully type-tested for conformity to BS EN 179 when used with the emergency accessories shown. Regular audit testing is undertaken. Product also complies with BS EN 12209. Classification 3 X 9 1 0 F 2 B B 0 0

Emergency accessory sets feature backplates and lever handle. The handle can be secured by a breakable green plastic chain, which gives a clear visual indication when the door has been opened.
179B: With cylinder hole: for use with 711 deadlock and 732 nightlatch (50mm or 70mm backset only). Tested and approved to BS EN 179.
S4 179B: As 179B for 35mm backset locks.
May also be supplied in pairs for emergency access from both sides of the door. Use reference 179B Double.
When ordering please specify handing.



Escape nightlatches / ASSA Connect



Application

Locks for doors where unrestricted exit at all times is required. Suitable for classrooms, offices, industrial premises, doors to flats and apartments, hotel bedrooms and commercial premises.

Cylinders



- ASSA 5-Pin
- ASSA Flexcore Plus
- ASSA 4800
- ASSA Twin Combi
- ASSA dp4400
- ASSA CLIQ

Scandinavian Oval or Round*

Can be incorporated into an ASSA master key system

* 35mm locks may require Scan. Rim cylinder.



Available with single cylinder and thumbturn, or alternatively with double cylinders or single cylinder only.

Supplied as standard with striking plate.

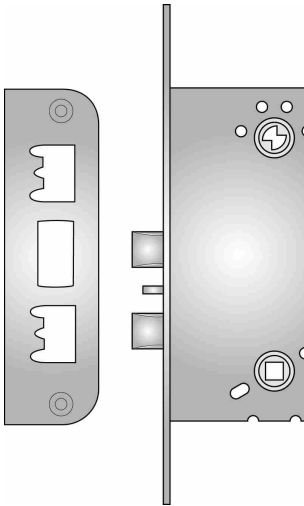
Cylinder and accessories bolt through lockcase for added strength.

Split follower locks incorporate different and separate functions on either side of the door.

For finishes, handing and dimensions see Lockcases Information appendix.

When ordering please specify hand, direction of door opening and door thickness.

620 double nightlatch with snib lock-back



Upper bolt deadlocks automatically when door is closed. Snib for locking the upper bolt into lockcase. Lower bolt operated by external lever handle. Internal lever handle retracts both bolts, giving single-action exit at all times.

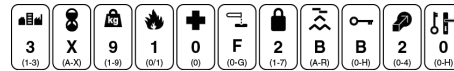
Bolts are reversible without opening lockcase.

Key can only be removed in locked (or locked-back) position.

Available with 35mm, 50mm or 70mm backset.

Optional microswitches: MC microswitch monitors bolt deadlatching, use of cylinder/thumbturn and use of handle/emergency accessory MD microswitch monitors lock-back.

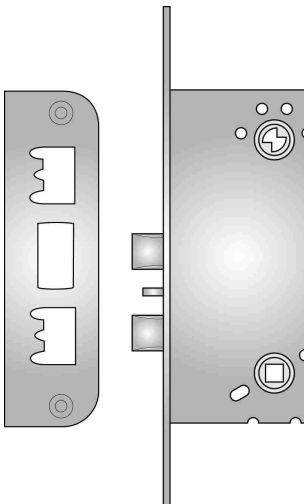
Exterior	Interior
Upper latchbolt automatically deadlocked.	Lever handle retracts both latchbolts.
Key retracts both latchbolts. Lever handle retracts lower latchbolt.	Upper latchbolt held back by snib in faceplate.



Product has been successfully type-tested for conformity to BS EN 12209. Regular audit testing is undertaken.

Please note that when specifying split follower locks it is important to state the direction of door opening as well as the handing.

624 double nightlatch with cylinder key lock-back



Upper bolt deadlocks automatically when door is closed. Internal cylinder locks the upper bolt into lockcase. Lower bolt operated by external lever handle. Internal lever handle retracts both bolts, giving single-action exit at all times.

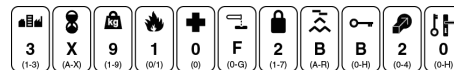
Bolts are reversible without opening lockcase.

Key can only be removed in locked (or locked-back) position.

Available with 35mm, 50mm or 70mm backset.

Optional microswitches: MC microswitch monitors bolt deadlatching, use of cylinder/thumbturn and use of handle/emergency accessory MD microswitch monitors lock-back.

Exterior	Interior
Upper latchbolt automatically deadlocked.	Lever handle retracts both latchbolts.
Key retracts both latchbolts. Lever handle retracts lower latchbolt.	Key controls upper latchbolt lock-back.



Product has been successfully type-tested for conformity to BS EN 12209. Regular audit testing is undertaken.

Please note that when specifying split follower locks it is important to state the direction of door opening as well as the handing.

Escape sash lock / ASSA Connect



Application

Locks for doors where unrestricted exit at all times is required. Suitable for classrooms, offices, industrial premises, doors to flats and apartments, hotel bedrooms and commercial premises.

Cylinders



- ASSA 5-Pin
- ASSA Flexcore Plus
- ASSA 4800
- ASSA Twin Combi
- ASSA dp4400
- ASSA CLIQ

Scandinavian Oval or Round*

Can be incorporated into an ASSA master key system

* 35mm locks may require Scan. Rim cylinder.



Available with single cylinder and thumbturn, or alternatively with double cylinders or single cylinder only.

Supplied as standard with striking plate.

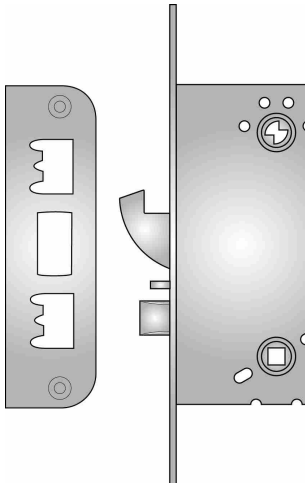
Cylinder and accessories bolt through lockcase for added strength.

Split follower locks incorporate different and separate functions on either side of the door.

For finishes, handing and dimensions see Lockcases Information appendix.

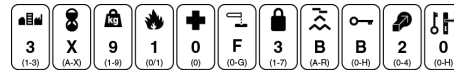
When ordering please specify hand, direction of door opening and door thickness.

640 escape sash lock



Special split spindles must be used where lever handles are fitted to ASSA Split Follower Locks. ASSA lever handles are recommended. If other lever handles are used, contact us for advice. Please note that the exact type of spindle to specify varies depending on the lever handle range to be used. See Door Furniture section for details. Split follower locks provide different functions on the inside and outside, and the internal handle follower mechanism is not reversible. Therefore when specifying these locks both the door handing AND whether the door opens inwards or outwards MUST be stated.

Exterior		Interior
Key operates hookbolt and latchbolt. Lever handle retracts latch. Latchbolt automatically deadlocked.		Turn operates hookbolt and latchbolt. Lever handle retracts both hookbolt and latchbolt.



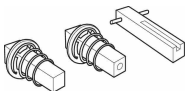
Product has been successfully type-tested for conformity to BS EN 12209. Regular audit testing is undertaken.

Please note that when specifying split follower locks it is important to state the direction of door opening as well as the handing.

Split follower locks

Special split spindles must be used where lever handles are fitted to ASSA Split Follower Locks. ASSA lever handles are recommended. If other lever handles are used, contact us for advice.

Please note that the exact type of spindle to specify varies depending on the lever handle range to be used. See Door Furniture section for details.



Split follower locks provide different functions on the inside and outside, and the internal handle follower mechanism is not reversible. Therefore when specifying these locks both the door handing AND whether the door opens inwards or outwards MUST be stated.

Special sash lock / ASSA Connect



Application

For external doors on houses. Allows free escape in a fire, but if the building is left empty the lock will prevent intruders opening the door from inside. It thus complies with the access/egress requirements of both BS 3621 and BS 8621.

Cylinders



- ASSA 5-Pin
- ASSA Flexcore Plus
- ASSA 4800
- ASSA Twin Combi
- ASSA dp4400
- ASSA CLIQ

Scandinavian Oval or Round

Can be incorporated into an ASSA master key system



Available with double cylinder and thumbturn, which is recommended for safety reasons. May also be fitted with a single external cylinder.

Supplied as standard with striking plate.

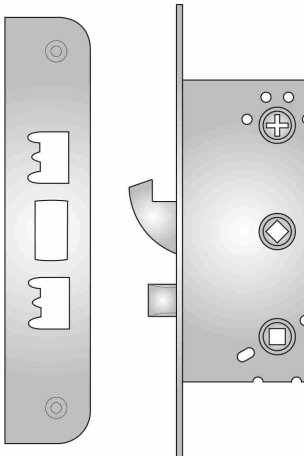
Cylinder and accessories bolt through lockcase for added strength.

Key can be removed in locked or unlocked position.

For finishes and dimensions see Lockcases Information appendix.

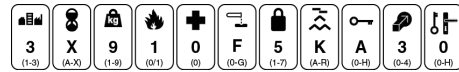
When ordering please specify hand and door thickness.

2002 sash lock package



Hardened steel hookbolt thrown 23.5mm by 360° turn of key or thumbturn. Latchbolt reversible without opening lockcase.

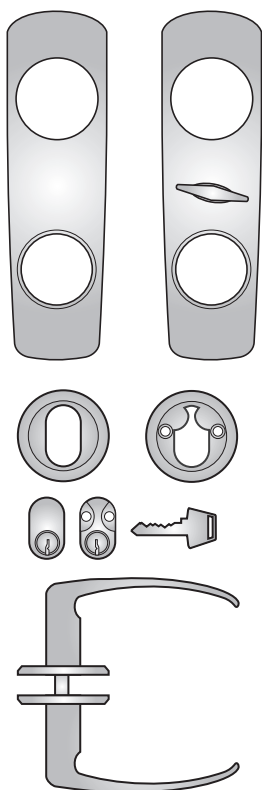
Available with 50mm backset only.



Product has been successfully type-tested for conformity to BS EN 12209. Regular audit testing is undertaken.

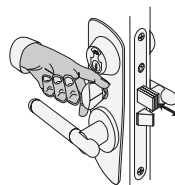
Special sash lock

↘ 2002 sash lock accessories



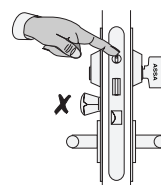
Ref	Exterior		Interior	
D/C	Key operates deadbolt. Lever handle retracts latchbolt. Unlocking with key re-activates internal thumbturn.		Key operates deadbolt. Turn only operates deadbolt if the faceplate snib is not activated. Lever handle retracts latchbolt.	With double cylinder, once the snib has been activated it is possible to open the door from inside only by using a key.
S/C	Key operates deadbolt. Lever handle retracts latchbolt. Unlocking with key re-activates internal thumbturn.		Turn only operates deadbolt if the faceplate snib is not activated. Lever handle retracts latchbolt.	With single cylinder, once the snib has been activated there is <u>no way</u> to open the door from inside.

OPERATION OF THE CONNECT 2002 & MODULAR 2000 LOCKS



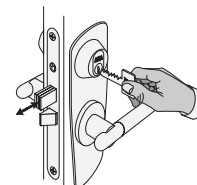
Building Occupied

Quick, easy escape without needing key.



All Residents Leave

The escape function can be deactivated – but only by a deliberate action.



Building Unoccupied

Access from either side by key only. Unlocking the door re-activates the escape function.

Roller bolt lock / ASSA Connect



Application

Locks for shops and entrance doors to private houses, industrial premises, offices or for any situation where a key operated hookbolt lock is required plus a roller latch and lever handles.

Cylinders



- ASSA 5-Pin
- ASSA Flexcore Plus
- ASSA 4800
- ASSA Twin Combi
- ASSA dp4400
- ASSA CLIQ

Scandinavian Oval or Round*

Can be incorporated into an ASSA master key system

* 35mm locks may require Scan. Rim cylinder.



Available with single cylinder and thumbturn, or alternatively with double cylinders or single cylinder only.

Optional strikes available.

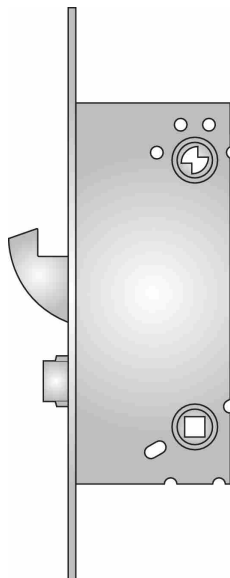
Cylinder and accessories bolt through lockcase for added strength.

Key can be removed in locked or unlocked position.

For finishes and dimensions see Lockcases Information appendix.

When ordering please specify hand and door thickness.

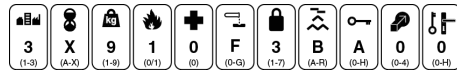
313 roller bolt lock



Steel hookbolt thrown 23.5mm by 90° turn of key or thumbturn.

Brass roller latch retains door in closed position. The roller latch may be retracted by lever handle or simply by pushing/pulling the door. Note that the key/thumbturn does not retract the roller latch.

Available with 35mm, 50mm or 70mm backset.



Product has been successfully type-tested for conformity to BS EN 12209. Regular audit testing is undertaken.

Optional striking plates

Please note that these must be ordered separately.

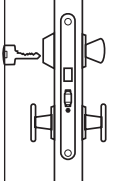
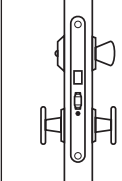
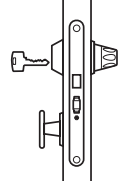
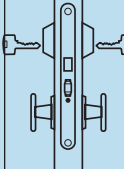
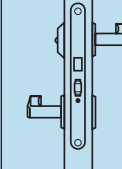
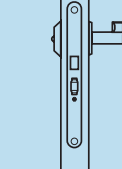


Single Swing Strikes
36 05 85 for 44mm doors
36 05 87 for 54mm doors



Double Swing Strikes
36 05 86 for 44mm doors
36 05 88 for 54mm doors

Roller bolt lock

Exterior		Interior	Exterior		Interior	Exterior		Interior
Key operates deadbolt. Pull handle or deadknob for use as door pull.		Thumbturn operates deadbolt. Pull handle or deadknob for use as door pull.	Indicator rose with emergency device. Pull handle or deadknob for use as door pull.		Thumbturn operates deadbolt and indicator. Pull handle or deadknob for use as door pull.	Key operates deadbolt. Pull handle or deadknob for use as door pull.		Clutch Thumbturn operates deadbolt. Clutch Thumbturn also for use as door pull.
Key operates deadbolt. Pull handle or deadknob for use as door pull.		Key operates deadbolt. Pull handle or deadknob for use as door pull.	Indicator rose with emergency device. Lever handle operates roller latch.		Lever handle flips up to lock, down to unlock deadbolt. Lever handle also for use as door pull.	Indicator rose with emergency device.		Lever handle flips up to lock, down to unlock deadbolt. Lever handle also for use as door pull.

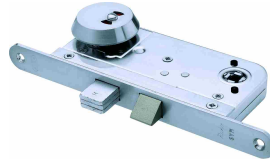
Note: A lever handle may also be fitted in place of a deadknob or pull handle in the applications shown above. This will operate the roller latch.

Toilet lock / ASSA Modular & Connect



Application

Locks for bathroom and toilet doors in schools, hospitals, sheltered housing, factories, hotels etc.



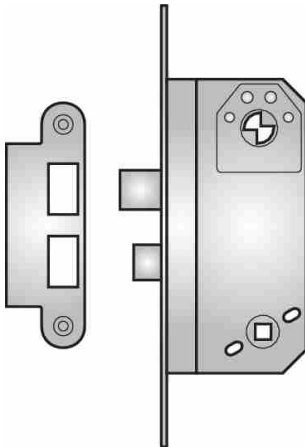
Can be opened in an emergency by screwdriver from outside.

Incorporates red/white indicator on both sides.

For finishes and dimensions see Lockcases Information appendix.

When ordering please specify hand and door thickness.

565T Modular toilet lock



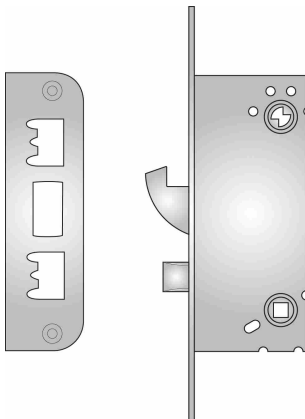
Toilet lock made up from 765 upright mortice sash lock and 265 accessory set.

Latchbolt reversible without opening lockcase. Lockcase is supplied with striking plate.

Available with either 50mm or 70mm backset.

Exterior		Interior
Indicator rose with emergency device. Lever handle retracts latchbolt only.		Turn operates deadbolt and retracts latchbolt. Lever handle retracts latchbolt only.

310T Connect toilet lock



Toilet lock made up from 310 upright mortice sash lock and 265 accessory set. Latchbolt reversible without opening lockcase. Lockcase is supplied with striking plate. Available with either 50mm or 70mm backset.

Exterior		Interior
Indicator rose with emergency device. Lever handle retracts latchbolt only.		Turn operates hookbolt and retracts latchbolt. Lever handle retracts latchbolt only.

Flip-up handle toilet locks / ASSA Modular & Connect



Application

Locks for bathroom and toilet doors in schools, hospitals, sheltered housing, factories, hotels etc.

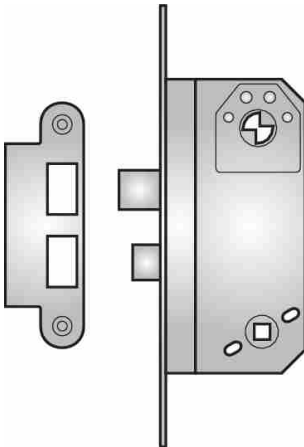


Can be opened in an emergency by screwdriver from outside. Incorporates red/white indicator on both sides.

For finishes and dimensions see Lockcases Information appendix.

When ordering please specify hand, direction of door opening and door thickness.

9565T Modular toilet lock with flip-up handle



Toilet lock made up from 765 upright mortice lock and 9565T accessory set. Especially suitable for disabled people. Locked by raising inner handle. Unlocked by depressing inner handle in the normal way. Latchbolt reversible without opening lockcase. Lockcase is supplied with striking plate.

Available with either 50mm or 70mm backset. When ordering 9565T accessory set please specify door opening in or out as well as door handing.

9310T Connect Toilet Lock

Uses Connect 310 sash lock and 9565T accessory set. 50mm and 70mm backsets available.

Exterior		Interior
Indicator rose with emergency device. Lever handle retracts latchbolt only.		Lever handle flips up to throw deadbolt. When moved down, first retracts deadbolt, then latchbolt.

Flip-up handle toilet locks / ASSA Modular & Connect



Application

Locks for bathroom and toilet doors in schools, hospitals, sheltered housing, factories, hotels etc.

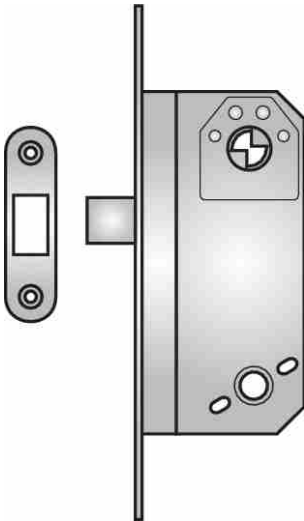


Can be opened in an emergency by screwdriver from outside. Incorporates red/white indicator on both sides.

For finishes and dimensions see Lockcases Information appendix.

When ordering please specify hand, direction of door opening and door thickness.

9566T-1 Modular toilet lock with flip-up handle



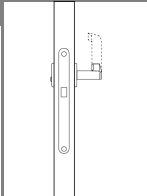
Toilet lock made up from 2788 upright mortice lock and 9566T-1 accessory set. Especially suitable for disabled people. Locked by raising inner handle. Unlocked by depressing inner handle in the normal way. Lockcase is supplied with striking plate.

Available with either 50mm or 70mm backset. When ordering 9566T-1 accessory set please specify door opening in or out as well as door handing.

May also be used with 765 sash lock, in which case an additional half-set of lever handles (ref: 20B) is required for the external side of the door.

9311T-1 Connect Toilet Lock

Uses Connect 311 deadlock and 9566T-1 accessory set. 50mm and 70mm backsets available.

Exterior		Interior
Indicator rose with emergency device.		Lever handle flips up to throw deadbolt. When moved down, first retracts deadbolt, then latchbolt.

D450 Euro



Sash lock / D450 Euro



Application

Sash locks are suitable for entrance doors to offices, private houses, industrial premises, shops and similar.

Cylinders



- ASSA 5-Pin
- ASSA Flexcore Plus
- ASSA 4800
- ASSA Twin Combi
- ASSA dp4400
- ASSA CLIQ

Euro Profile

Can be incorporated into an ASSA master key system



Available with single cylinder and thumbturn, or alternatively with double cylinders or single cylinder only. Uses Euro profile cylinders.

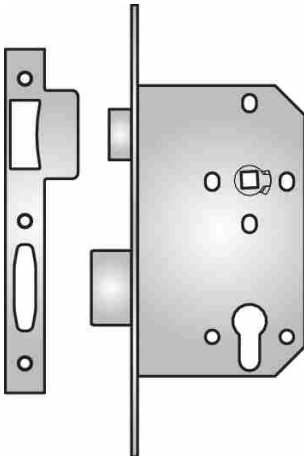
Supplied as standard with striking plate. Both square and round faceplates are available. 8mm handle follower.

Key can be removed in locked or unlocked position.

For finishes and dimensions see Lockcases Information appendix.

When ordering please specify door thickness.

↘ D455 sash lock



Double-throw deadbolt thrown up to 20mm by two 360° turns of key or thumbturn. Latchbolt reversible without opening lockcase.

Usable with DIN Severe Duty rated handles.

Available with 60mm backset.

Exterior		Interior
Key operates deadbolt and latchbolt. Lever handle retracts latchbolt.		Turn operates deadbolt and latchbolt. Lever handle retracts latchbolt.

Product has been successfully type-tested for conformity to BS EN 12209. Regular audit testing is undertaken.

Also available to special order with a stainless steel deadbolt, which meets security grade 4 of BS EN 12209.

Deadlock / D450 Euro



Application

Deadlocks are suitable for swing doors in corridors and entrances, and as a secondary lock on any door.

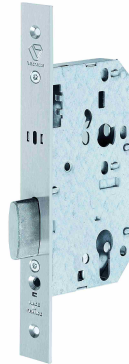
Cylinders



- ASSA 5-Pin
- ASSA Flexcore Plus
- ASSA 4800
- ASSA Twin Combi
- ASSA dp4400
- ASSA CLIQ

Euro Profile

Can be incorporated into an ASSA master key system



Available with single cylinder and thumbturn, or alternatively with double cylinders or single cylinder only. Uses Euro profile cylinders.

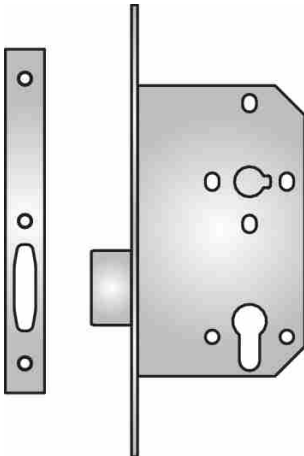
Supplied as standard with striking plate. Both square and round faceplates are available.

Key can be removed in locked or unlocked position.

For finishes and dimensions see Lockcases Information appendix.

When ordering please specify door thickness.

↘ D454 deadlock



Double-throw deadbolt thrown up to 20mm by two 360° turns of key or thumbturn.

Available with 60mm backset.

Exterior		Interior
Key operates deadbolt.		Turn operates deadbolt.
3 (1-3)	B (A-X)	4 (1-9)
0 (0-1)	0 (0)	0 (0-1)
0 (0-5)	3 (1-7)	H (A-F)
3 (1-7)	H (A-F)	C (0-H)
2 (0-4)	2 (0-4)	0 (0-H)
0 (0-H)	0 (0-H)	0 (0-H)

Product has been successfully type-tested for conformity to BS EN 12209. Regular audit testing is undertaken.

Also available to special order with a stainless steel deadbolt, which meets security grade 4 of BS EN 12209.

Bathroom lock / D450 Euro



Application

Bathroom Locks are suitable for bathroom and toilet doors.



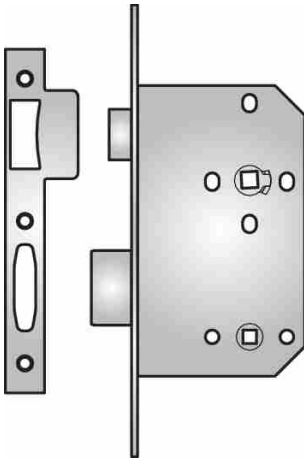
May be fitted with standard DIN dimensioned door furniture. 8mm handle and turn followers.

Supplied as standard with striking plate. Both square and round faceplates are available.

For finishes and dimensions see Lockcases Information appendix.

When ordering please specify door thickness.

↘ D453 bathroom lock



Deadbolt operated by internal thumbturn. Latchbolt reversible without opening lockcase.

Available with 60mm backset.

Exterior		Interior
Indicator rose with emergency device. Lever handle retracts latchbolt only.		Turn operates deadbolt and indicator. Lever handle retracts latchbolt only.

2 (1-3)	B (A-X)	4 (1-9)	1 (0-1)	0 (0)	0 (0-6)	3 (1-7)	H (A-F)	G (0-H)	2 (0-4)	0 (0-H)
------------	------------	------------	------------	----------	------------	------------	------------	------------	------------	------------

Product has been successfully type-tested for conformity to BS EN 12209. Regular audit testing is undertaken.

Latch / D450 Euro



Application

Latches are suitable for doors which do not need to be locked

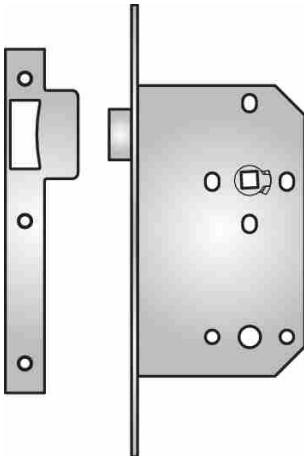


Supplied as standard with striking plate. Both square and round faceplates are available.

For finishes and dimensions see Lockcases Information appendix.

When ordering please specify door thickness.

↘ D452 latch



Latchbolt operated by lever handles. Latchbolt reversible without opening lockcase.

Usable with DIN Severe Duty rated handles.

Available with 60mm backset.

Exterior		Interior
Lever handle retracts latchbolt.		Lever handle retracts latchbolt.

3 (1-3)	B (A-X)	4 (1-9)	1 (0-1)	0 (0)	0 (0-5)	1 (1-7)	H (A-F)	0 (0-H)	2 (0-4)	0 (0-H)
------------	------------	------------	------------	----------	------------	------------	------------	------------	------------	------------

Product has been successfully type-tested for conformity to BS EN 12209. Regular audit testing is undertaken.

Escape nightlatches / D450 Euro



Application

Escape nightlatches are suitable for applications where single action escape is needed. Ideal for perimeter doors, storerooms, offices, etc.

Cylinders



- ASSA 5-Pin
- ASSA Flexcore Plus
- ASSA 4800
- ASSA Twin Combi
- ASSA dp4400
- ASSA CLIQ

Euro Profile

Can be incorporated into an ASSA master key system



Available with single cylinder only. Uses Euro profile cylinders.

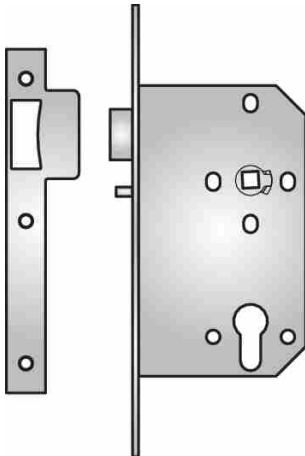
Supplied as standard with striking plate. Both square and round faceplates are available.

Key can be removed in locked position only.

For finishes and dimensions see Lockcases Information appendix.

When ordering please specify door thickness.

↘ D456 escape nightlatch



Bolt deadlocks automatically when door is closed. Bolt reversible without opening lockcase.

Available with 60mm backset.

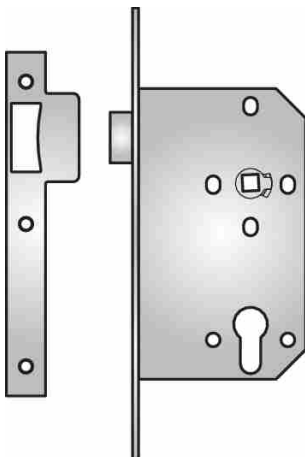
Exterior		Interior
Latchbolt automatically deadlocked. Key retracts latchbolt.		Lever handle giving free passage at all times.

--	--	--	--	--	--	--	--	--	--	--

Product has been successfully type-tested for conformity to BS EN 12209. Regular audit testing is undertaken.

Product has also been successfully type-tested for conformity to BS EN 179 in conjunction with an ASSA Aluminium 1325 lever handle. Regular audit testing is undertaken. Classification: 3 7 6 B 1 3 5 2 A B/D.

↘ D4522 escape nightlatch, non-deadlocking



Bolt locks when door is closed no automatic deadlocking. Bolt reversible without opening lockcase. Available with 60mm backset.

Exterior		Interior
Key operates latchbolt.		Lever handle giving free passage at all times.

--	--	--	--	--	--	--	--	--	--	--

Product has been successfully type-tested for conformity to BS EN 12209. Regular audit testing is undertaken.

Product has also been successfully type-tested for conformity to BS EN 179 in conjunction with an ASSA Aluminium 1325 lever handle. Regular audit testing is undertaken. Classification: 3 7 6 B 1 3 5 2 A B/D.

Escape nightlatch / D450 Euro



Application

Escape nightlatches are suitable for applications where single action escape is needed. The lockable handle allows free passage in both directions when required, and security at other times. Ideal for classrooms, offices, etc.

Cylinders



- ASSA 5-Pin
- ASSA Flexcore Plus
- ASSA 4800
- ASSA Twin Combi
- ASSA dp4400
- ASSA CLIQ

Euro Profile

Can be incorporated into an ASSA master key system



Available with single cylinder and thumbturn. Uses Euro profile cylinders.

Supplied as standard with striking plate. Both square and round faceplates are available.

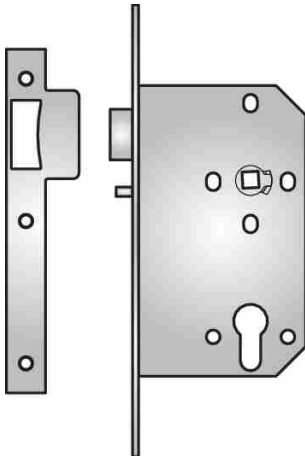
Key can be removed in locked or unlocked position.

Split follower lock: incorporates different and separate functions on either side of the door.

For finishes, handing and dimensions see Lockcases Information appendix.

When ordering please specify door thickness.

➤ D457 escape nightlatch with lockable handle



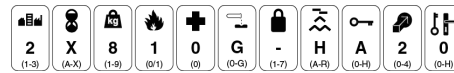
Bolt deadlocks automatically when door is closed. Internal lever operates at all times. Cylinder may be used to lock the external handle to prohibit access by non-keyholders during controlled periods.

Split follower lock; requires lever furniture with split spindles.

Both bolt and escape follower are reversible without opening lockcase.

Available with 60mm backset.

Exterior		Interior
Lever handle retracts latchbolt when not locked. Latchbolt automatically deadlocked. Key locks or unlocks handle.		Lever handle giving free passage at all times. Thumbturn locks or unlocks external handle.

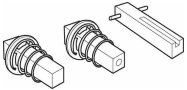


Product has been successfully type-tested for conformity to BS EN 12209. Regular audit testing is undertaken.

Product has also been successfully type-tested for conformity to BS EN 179 in conjunction with an ASSA Aluminium 1325 lever handle. Regular audit testing is undertaken. Classification: 3 7 6 B 1 3 5 2 A B/D.

Spindles

Special split spindles must be used where lever handles are fitted to ASSA Split Follower Locks. ASSA lever handles are recommended. If other lever handles are used, contact us for advice.



Please note that the exact type of spindle to specify varies depending on the lever handle range to be used. See Door Furniture section for details.

Escape sash lock / D450 Euro



Application

Escape sash locks are suitable for perimeter doors where single action escape is needed, but a high level of security is also required.

Cylinders

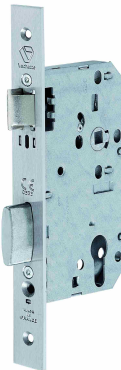


- ASSA 5-Pin
- ASSA Flexcore Plus
- ASSA 4800
- ASSA Twin Combi
- ASSA dp4400
- ASSA CLIQ

Euro Profile

- ASSA CLIQ

Can be incorporated into an ASSA master key system



Available with single cylinder and thumbturn. Uses Euro profile cylinders.

Supplied as standard with striking plate. Both square and round faceplates are available.

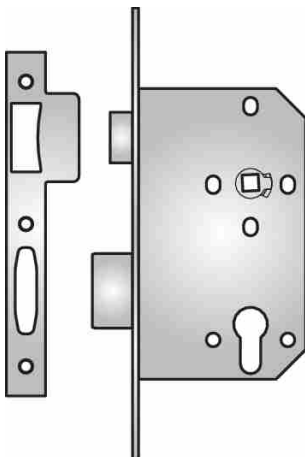
Key can be removed in locked or unlocked position.

Split follower lock: incorporates different and separate functions on either side of the door.

For finishes, handing and dimensions see Lockcases Information appendix.

When ordering please specify door thickness.

↘ D458 escape sash lock



Double-throw stainless steel deadbolt thrown up to 20mm by two 360° turns of key or thumbturn.

Split follower lock; requires lever furniture with split spindles.

Both latchbolt and escape follower are reversible without opening lockcase.

Available with 60mm backset.

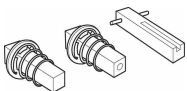
Exterior		Interior
Key operates deadbolt. Lever handle retracts latchbolt only.		Turn operates deadbolt. Lever handle retracts both deadbolt and latchbolt.

Product has been successfully type-tested for conformity to BS EN 12209. Regular audit testing is undertaken.

Product has also been successfully type-tested for conformity to BS EN 179 in conjunction with an ASSA Aluminium 1325 lever handle. Regular audit testing is undertaken. Classification: 3 7 6 B 1 4 4 2 A B/D.

Spindles

Special split spindles must be used where lever handles are fitted to ASSA Split Follower Locks. ASSA lever handles are recommended. If other lever handles are used, contact us for advice.



Please note that the exact type of spindle to specify varies depending on the lever handle range to be used. See Door Furniture section for details.

Escape sash lock for fire doors / D450 Euro



Application

Escape sash locks are suitable for perimeter doors where single action escape is needed, but a high level of security is also required. Incorporates feature to prevent the door being left unlatched, making them ideal for fire doors.

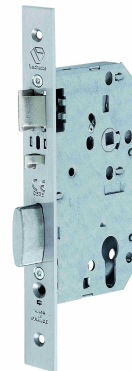
Cylinders



- ASSA 5-Pin
- ASSA Flexcore Plus
- ASSA 4800
- ASSA Twin Combi
- ASSA dp4400
- ASSA CLIQ

Euro Profile

Can be incorporated into an ASSA master key system



Available with single cylinder and thumbturn. Uses Euro profile cylinders.

Supplied as standard with striking plate. Both square and round faceplates are available.

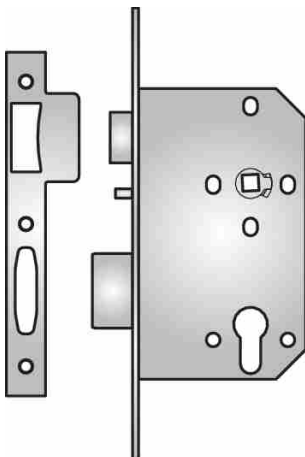
Key can be removed in locked or unlocked position.

Split follower lock: incorporates different and separate functions on either side of the door.

For finishes, handing and dimensions see Lockcases Information appendix.

When ordering please specify door thickness.

↘ D459 escape sash lock for fire doors



Double-throw stainless steel deadbolt thrown up to 20mm by two 360° turns of key or thumbturn.

The deadbolt cannot be thrown when the door is in the open position, ensuring that the door will always latch properly.

Split follower lock; requires lever furniture with split spindles.

Both latchbolt and escape follower are reversible without opening lockcase.

Available with 60mm backset.

Exterior		Interior
Key operates deadbolt when door is closed. Lever handle retracts latchbolt only.		Turn operates deadbolt when door is closed. Lever handle retracts both bolts.

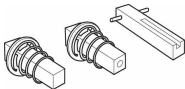
--	--	--	--	--	--	--	--	--	--	--

Product has been successfully type-tested for conformity to BS EN 12209. Regular audit testing is undertaken.

Product has also been successfully type-tested for conformity to BS EN 179 in conjunction with an ASSA Aluminium 1325 lever handle. Regular audit testing is undertaken. Classification: 3 7 6 B 1 4 4 2 A B/D.

Spindles

Special split spindles must be used where lever handles are fitted to ASSA Split Follower Locks. ASSA lever handles are recommended. If other lever handles are used, contact us for advice.



Please note that the exact type of spindle to specify varies depending on the lever handle range to be used. See Door Furniture section for details.

ASSA Compact 3000



Sash lock & deadlock / ASSA Compact 3000



Application

Sash locks are suitable for entrance doors to offices, private houses, industrial premises, shops and similar. Deadlocks are suitable for swing doors in corridors and entrances, and as a secondary lock on any door.

Cylinders



UK Oval or Euro Profile

- ASSA 5-Pin
- ASSA Flexcore Plus
- ASSA 4800
- ASSA Twin Combi
- ASSA dp4400
- ASSA CLIQ

Can be incorporated into an ASSA master key system



Available with single cylinder and thumbturn, or alternatively with double cylinders or single cylinder only.

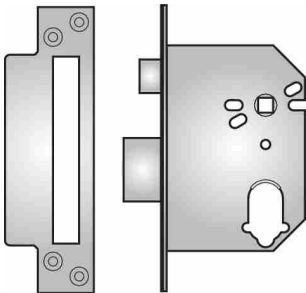
Uses either Euro or UK Oval profile cylinders.

Supplied as standard with security box striking plate. Both square and rounded faceplates are available as standard.

For finishes and dimensions see Lockcases Information appendix.

When ordering please specify door thickness.

3065 sash lock



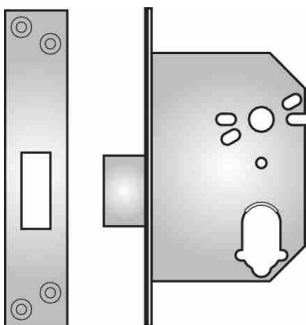
Hardened steel deadbolt thrown 20mm by 360° turn of key or thumbturn. Usable with DIN Severe Duty rated handles.

Latchbolt reversible without opening lockcase.

Available with 57mm backset.

Exterior		Interior
Key operates deadbolt.		Turn operates deadbolt.
Lever handle retracts latchbolt.		Lever handle retracts latchbolt.

3088 deadlock



Hardened steel deadbolt thrown 20mm by 360° turn of key or thumbturn.

Available with 57mm backset.

Exterior		Interior
Key operates deadbolt.		Turn operates deadbolt.

Latch & bathroom lock / ASSA Compact 3000



Application

Latches are suitable for doors which do not need to be locked. Bathroom Locks are suitable for bathroom and toilet doors.



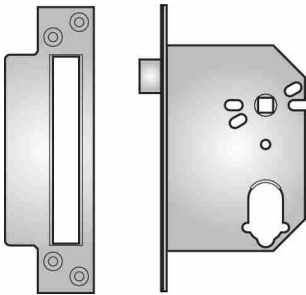
Bathroom Locks may be fitted with the ASSA Distinction 3555T or the ASSA 263 accessories, which incorporate a red/white indicator and thumbturn. Alternatively, standard UK dimensioned door furniture may be fitted.

Supplied as standard with striking plate. Both square and rounded faceplates are available as standard.

For finishes and dimensions see Lockcases Information appendix.

When ordering please specify door thickness.

3098 latch



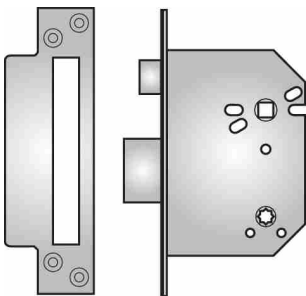
Steel latchbolt operated by lever handles. Latchbolt reversible without opening lockcase.

Usable with DIN Severe Duty rated handles.

Available with 57mm backset.

Exterior		Interior
Lever handle retracts latchbolt.		Lever handle retracts latchbolt.

3055T bathroom lock



Hardened steel deadbolt thrown 16mm by internal thumbturn.

Latchbolt reversible without opening lockcase. Note that the handle-thumbturn fixing centres are 57mm apart. Accepts bathroom accessories with 5mm square spindle.

Available with 57mm backset.

Exterior		Interior
Indicator rose with emergency device. Lever handle retracts latchbolt only.		Turn operates deadbolt and indicator. Lever handle retracts latchbolt only.

Mortice nightlatches / ASSA Compact 3000



Application

Nightlatches are suitable for entrance doors which must lock automatically when the door is closed.



Available with single cylinder and thumbturn, or alternatively with double cylinders or single cylinder only. Uses either Euro or UK Oval profile cylinders.

Supplied as standard with security box striking plate. Both square and rounded faceplates are available as standard.

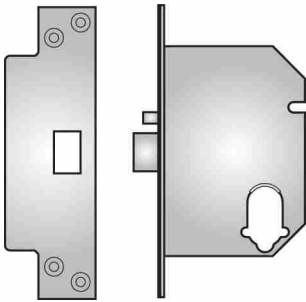
For finishes and dimensions see Lockcases Information appendix.

When ordering please specify door thickness.

- Cylinders**
- ASSA 5-Pin
 - ASSA Flexcore Plus
 - ASSA 4800
 - ASSA Twin Combi
 - ASSA dp4400
 - ASSA CLIQ
- UK Oval or Euro Profile

Can be incorporated into an ASSA master key system

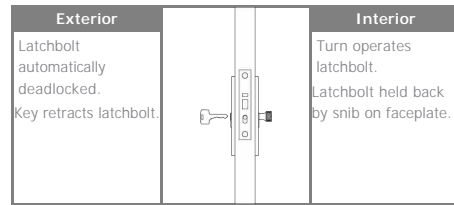
3084 nightlatch with snib lock-back



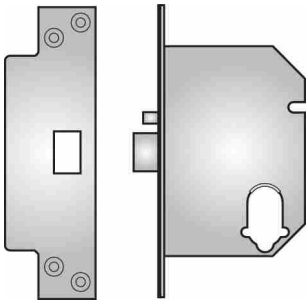
Hardened steel 13mm latchbolt deadlocks automatically when door is closed. Hold-back snib for locking bolt into lockcase.

Latchbolt is easily reversible.

Available with 57mm backset.

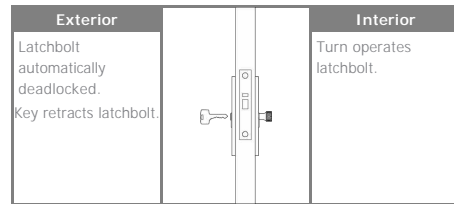


3085 nightlatch without lock-back



Hardened steel 13mm latchbolt deadlocks automatically when door is closed. Latchbolt is easily reversible.

Available with 57mm backset.



Escape nightlatches / ASSA Compact 3000



Application

Suitable for entrance and exit doors which must lock automatically when the door is closed. The lever handle gives fast, safe exit in an emergency. These locks are also ideal for use with electric strikes in access control applications.



Available with single cylinder. Uses either Euro or UK Oval profile cylinders.

Supplied as standard with security box striking plate. Both square and rounded faceplates are available as standard.

For finishes and dimensions see Lockcases Information appendix.

When ordering please specify door thickness.

Cylinders

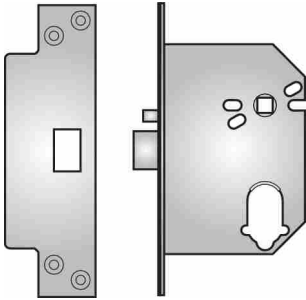


UK Oval or Euro Profile

- ASSA 5-Pin
- ASSA Flexcore Plus
- ASSA 4800
- ASSA Twin Combi
- ASSA dp4400
- ASSA CLIQ

Can be incorporated into an ASSA master key system

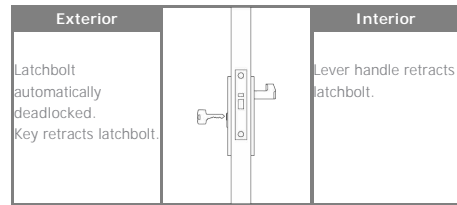
3061 nightlatch without lock-back



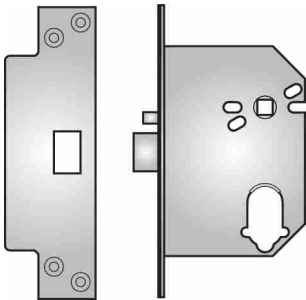
Hardened steel 13mm latchbolt deadlocks automatically when door is closed.

Latchbolt reversible without opening lockcase.

Available with 57mm backset.

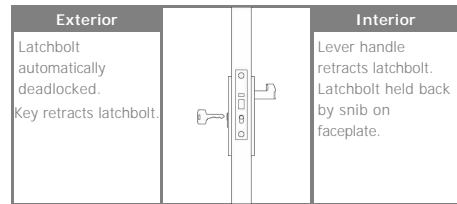


3062 nightlatch with snib lock-back

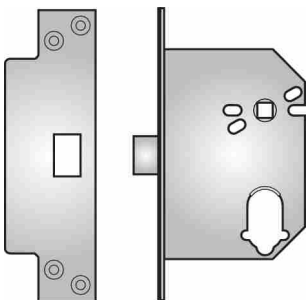


Hardened steel 13mm latchbolt deadlocks automatically when door is closed. Hold-back snib for locking bolt into lockcase. Latchbolt reversible without opening lockcase.

Available with 57mm backset.



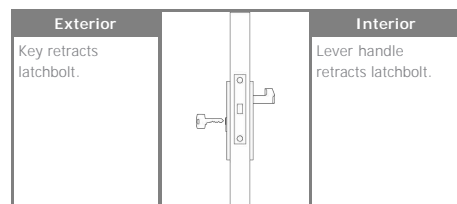
3059 nightlatch without lock-back, non-deadlocking



Hardened steel 13mm latchbolt without automatic deadlocking.

Latchbolt reversible without opening lockcase.

Available with 57mm backset.



Escape sash lock / ASSA Compact 3000



Application

Escape sash locks are particularly for residential entrance doors, and comply with BS 5588 Part 1, section 18.8.2 (a). Their simple operation makes them ideal for use by the elderly.

Cylinders



UK Oval or Euro Profile

- ASSA 5-Pin
- ASSA Flexcore Plus
- ASSA 4800
- ASSA Twin Combi
- ASSA dp4400
- ASSA CLIQ

Can be incorporated into an ASSA master key system



Available with single cylinder only. Uses either Euro or UK Oval profile cylinders.

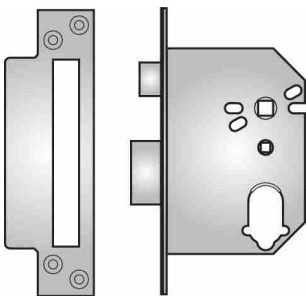
Supplied as standard with security box striking plate. Both square and rounded faceplates are available as standard.

Lockcase must be used with a double action handle eg. ASSA 3350.

For finishes, handing and dimensions see Lockcases Information appendix.

When ordering please specify hand, direction of door opening and door thickness.

3020 escape sash lock



Hardened steel deadbolt thrown 16mm by internal lever handle or by 360° turn of key.

Latchbolt reversible without opening lockcase.

Available with 57mm backset.

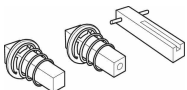
Exterior		Interior
Key operates deadbolt.		Pushing handle down retracts deadbolt and latchbolt.
Lever handle retracts latchbolt.		Pushing handle up throws deadbolt. Optional indicator shows when deadbolt is thrown.

Please note that when specifying split follower locks it is important to state the direction of door opening as well as the handing.

Split follower locks

Special split spindles must be used where lever handles are fitted to ASSA Split Follower Locks. ASSA lever handles are recommended. If other lever handles are used, contact us for advice.

Please note that the exact type of spindle to specify varies depending on the lever handle range to be used. See Door Furniture section for details.



Split follower locks provide different functions on the inside and outside, and the internal handle follower mechanism is not reversible. Therefore when specifying these locks both the door handing AND whether the door opens inwards or outwards MUST be stated.

Escape deadlocks / ASSA Compact 3000



Application

Escape deadlocks combine high security with ease of escape in an emergency, and are ideal for perimeter doors in commercial premises.

- Cylinders**
- ASSA 5-Pin
 - ASSA Flexcore Plus
 - ASSA 4800
 - ASSA Twin Combi
 - ASSA dp4400
 - ASSA CLIQ
- UK Oval or Euro Profile

Can be incorporated into an ASSA master key system



3069 available with double cylinder and 3069B available with single cylinder only. Uses either Euro or UK Oval profile cylinders.

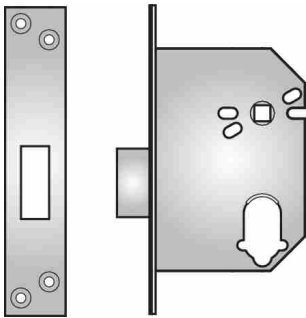
Supplied as standard with security box striking plate. Both square and rounded faceplates are available as standard.

3069B lockcase must be used with a double action handle eg. ASSA 3350.

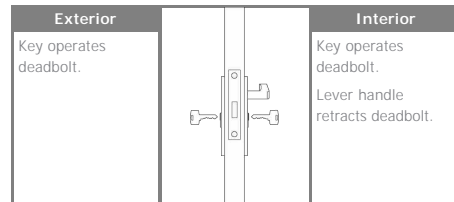
For finishes and dimensions see Lockcases Information appendix.

When ordering please specify door thickness.

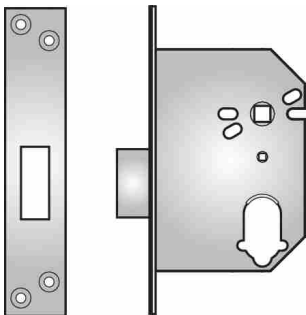
3069 escape deadlock



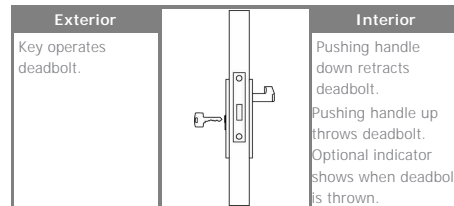
Hardened steel deadbolt thrown 16mm by 360° turn of key.
May be withdrawn by lever handle.
Available with 57mm backset.



3069B escape deadlock



Hardened steel deadbolt thrown 16mm by internal lever handle or by 360° turn of key.
Available with 57mm backset.



Narrow profile hookbolt lock / Special purpose locks



Application

Special high security hook bolt lock for narrow profile doors. Recommended for shop doors, as well as other glazed doors where a higher degree of security is required.

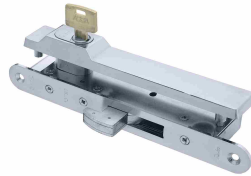
Cylinders



Scandinavian Oval

- ASSA 5-Pin
- ASSA Flexcore Plus
- ASSA 4800
- ASSA Twin Combi
- ASSA dp4400
- ASSA CLIQ

Can be incorporated into an ASSA master key system



Available with double cylinders and accessories, or alternatively with single cylinder only.

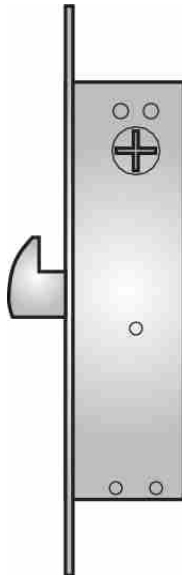
Supplied as standard without striking plate. Optional high security striking plate (Ref: 46 88 97) available.

Cylinder and accessories bolt through lockcase for added strength. Key can be removed in locked or unlocked position.

For finishes and dimensions see Lockcases Information appendix.

When ordering please specify door thickness.

13787 hookbolt lock



Lock is key operated on either side of door. Lock has removable faceplate and a swing type hookbolt which is locked by a single 360° turn of key. Special striking plate with countersunk fixing in narrow profile door frames of steel or light metal. Lockcase and striking plate of bright zinc plated steel. Cylinder and accessories chrome plated.

Available with 28mm backset only.

Exterior		Interior
Key operates hookbolt.		Key operates hookbolt. No thumbturn option available.

--	--	--	--	--	--	--	--	--	--	--

Product has been successfully type-tested for conformity to BS EN 12209. Regular audit testing is undertaken.

STRIKING PLATE

46 88 97

An optional high security striking plate for use with the 13787 is available separately.



Narrow profile nightlatch / Special purpose locks



Application

Locks for narrow stiled entrance doors where automatic locking is required when door is closed.

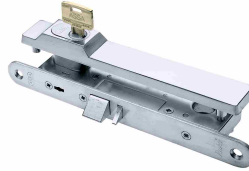
Cylinders



Scandinavian Oval

- ASSA 5-Pin
- ASSA Flexcore Plus
- ASSA 4800
- ASSA Twin Combi
- ASSA dp4400
- ASSA CLIQ

Can be incorporated into an ASSA master key system



Available with single cylinder and thumbturn, or alternatively with double cylinders or single cylinder only.

Optional striking plate (Ref. 46 13 59) available.

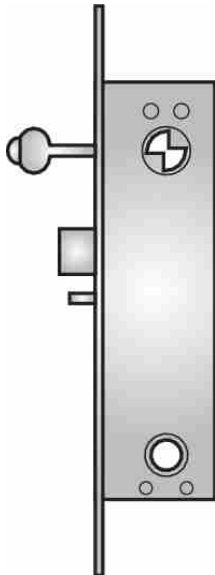
Cylinder and accessories bolt through lockcase for added strength.

Key can only be removed in locked position. Brass latchbolt.

For finishes and dimensions see Lockcases Information appendix.

When ordering please specify hand and door thickness.

1385 nightlatch with key lock-back



Bolt deadlocks automatically when door is closed.

Key for locking bolt into lockcase.

Available with 28mm backset only.

Exterior		Interior
Latchbolt automatically deadlocked.		Turn retracts latchbolt.
Key retracts latchbolt.		Latchbolt held back by key in faceplate.

--	--	--	--	--	--	--	--	--	--	--

Product has been successfully type-tested for conformity to BS EN 12209. Regular audit testing is undertaken.

STRIKING PLATE

46 13 59

An optional striking plate for use with the 1385 is available separately.



Narrow profile escape nightlatch / Special purpose locks



Application

Locks for doors with narrow stiles offering security but allowing unrestricted exit. Ideally suited for exit doors where the ASSA Connect or Modular lockcase is too large for the door stile.

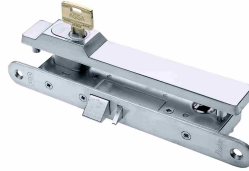
Cylinders



Scandinavian Oval

- ASSA 5-Pin
- ASSA Flexcore Plus
- ASSA 4800
- ASSA Twin Combi
- ASSA dp4400
- ASSA CLIQ

Can be incorporated into an ASSA master key system



Microswitch can be fitted to enable an alarm to be activated by use of handle. Latchbolt deadlocks automatically when door is closed.

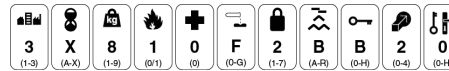
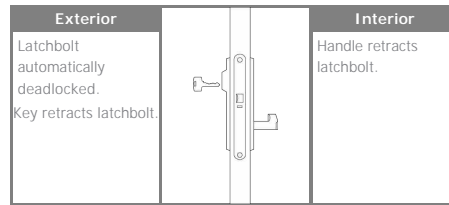
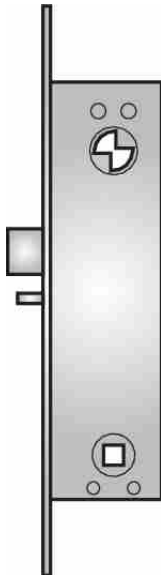
Available with lever handle inside, ref 5159. Optional striking plate (Ref. 46 13 59) available.

Key can only be removed in locked position. Brass latchbolt.

For finishes and dimensions see Lockcases Information appendix.

When ordering please specify hand and door thickness.

1361 nightlatch



Product has been successfully type-tested for conformity to BS EN 12209. Regular audit testing is undertaken.

STRIKING PLATE

46 13 59

An optional striking plate for use with the 1361 is available separately.



Small case locks / Special purpose locks



Application

Small case locks for easier site fixing with hand tools.

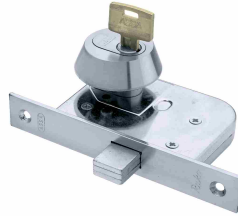
Cylinders



Scandinavian Oval or Round

Can be incorporated into an ASSA master key system

- ASSA 5-Pin
- ASSA Flexcore Plus
- ASSA 4800
- ASSA Twin Combi
- ASSA dp4400
- ASSA CLIQ



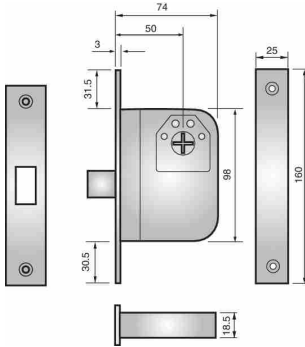
Available with single cylinder and thumbturn, or alternatively with double cylinders or single cylinder only.

Supplied as standard with striking plate. Cylinder and accessories bolt through lockcase for added strength.

For finishes and dimensions see Lockcases Information appendix.

When ordering please specify door thickness.

8788 high security deadlock



Suitable as a supplementary lock for use in entrance doors, swing doors, or gates where no handle is required. Hardened steel deadbolt is thrown 21mm by 360° turn of key or thumbturn.

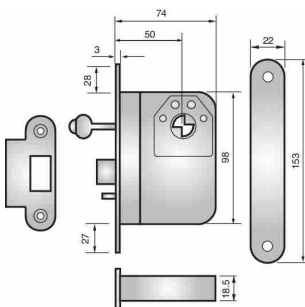
Key can removed in locked or unlocked position.

Available with 50mm backset only.

Exterior		Interior
Key operates deadbolt.		Turn operates deadbolt.

Conforms to BS 3621.

785 nightlatch with key lock-back



Suitable for self closing doors with door pulls. Brass bolt deadlocks automatically when door is closed.

Key for locking bolt into lockcase. When ordering please specify hand.

Key can removed in locked or unlocked position.

Available with 50mm backset only.

Exterior		Interior
Latchbolt automatically deadlocked. Key retracts deadbolt.		Turn retracts latchbolt. Latchbolt held back by key in faceplate.

Small case toilet lock / Special purpose locks

Application

Locks for bathroom and toilet doors in schools, hospitals, sheltered housing, factories, hotels etc. Small case locks are suitable for easier site fixing with hand tools.

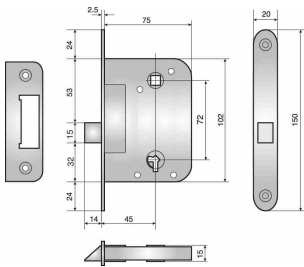


Can be opened in an emergency by screwdriver from outside. Incorporates red/white indicator on both sides.

For finishes and dimensions see Lockcases Information appendix.

When ordering please specify hand and door thickness.

2020T toilet latch



Toilet lock made up from 2020 mortice locking latch and 263 accessory set.

Latchbolt of brass, reversible without opening lockcase. Lockcase is supplied with striking plate.

Also usable with lever key. Door handles non-operable when latch is locked.

Available with 45mm backset only.

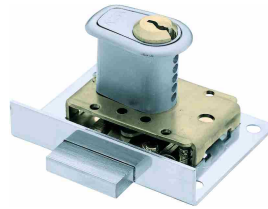
Exterior		Interior
Indicator rose with emergency device.* Lever handle retracts latchbolt. * Alternatively: key deadlocks latchbolt.		Turn (or key) deadlocks latchbolt. Lever handle retracts latchbolt.

ASSA cabinet locks / Special purpose locks



Application

Cylinder locks for light cupboard doors and drawers.



Supplied with specially shaped cylinder.

Comes complete with striking plate.

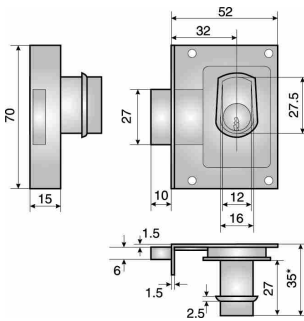
For finishes see Lockcases Information appendix.

When ordering please specify hand and door thickness.

Cylinders • ASSA 5-Pin
Special Cylinder

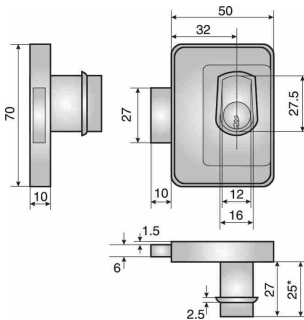
Can be incorporated into an ASSA master key system

673.1 cabinet deadlock



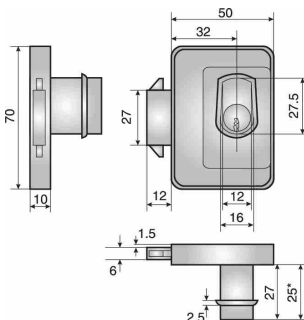
Cylinder cut cabinet or drawer deadlock. Key can be removed in locked or unlocked position. Lockcase and cylinder of solid brass. Hand can be changed as required.

673.2 cabinet deadlock



Cylinder rim fixing cabinet or drawer deadlock. Key can be removed in locked or unlocked position. Lockcase and cylinder of solid brass. Hand can be changed as required.

674.2 cabinet sliding door lock



Cylinder rim fixing sliding door cabinet or drawer lock. Key can be removed in locked or unlocked position. Lockcase and cylinder of solid brass. Hand can be changed as required.

Cupboard locks / Special purpose locks



Application

Cylinder locks for wooden or steel doors.
For use with door thicknesses as shown.

Cylinders



Scandinavian Oval
Rim

- ASSA 5-Pin
- ASSA Flexcore Plus
- ASSA 4800
- ASSA Twin Combi
- ASSA dp4400
- ASSA CLIQ

Can be incorporated into an ASSA master key system

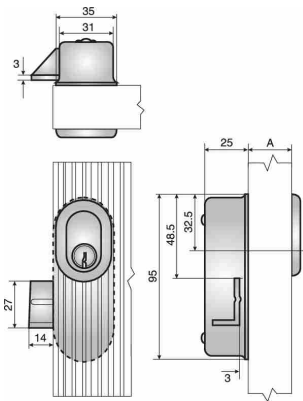


Used with Scandinavian Oval shaped rim cylinder with sleeve. Cylinder supplied separately. No other options available.

For finishes see Lockcases Information appendix.

When ordering please specify hand and door thickness.

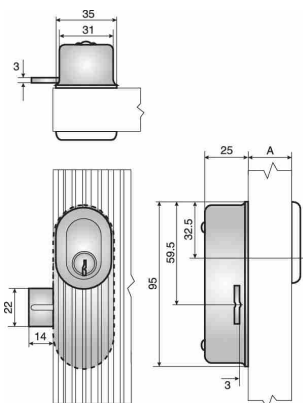
1792 cupboard lock



Cylinder rim fixing cupboard lock. Key can only be removed when door is locked. Lockcase of zinc plated steel. Suitable for door thicknesses up to 60mm using distance ring as required, see table below.

(A) Door thickness	Distance ring	Distance ring ref.
20-60mm	-	-
10-20mm	10mm	40 76 59
1-10mm	20mm	41 77 42

2792 cupboard deadlock



Cylinder rim fixing cupboard lock. Key can be removed in locked or unlocked position. Lockcase of zinc plated steel. Suitable for door thicknesses up to 60mm using distance ring as required, see table below.

(A) Door thickness	Distance ring	Distance ring ref.
20-60mm	-	-
10-20mm	10mm	40 76 59
1-10mm	20mm	41 77 42

Cupboard locks / Special purpose locks



Application

Cylinder locks for wooden or steel doors.
For use with door thicknesses as shown.

Cylinders

- ASSA 5-Pin
- ASSA Flexcore Plus
- ASSA 4800
- ASSA Twin Combi
- ASSA dp4400
- ASSA CLIQ



Scandinavian Oval Rim

Can be incorporated into an ASSA master key system

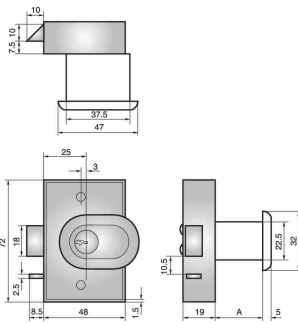


Used with Scandinavian Oval shaped rim cylinder with sleeve. Cylinder supplied separately. No other options available.

For finishes see Lockcases Information appendix.

When ordering please specify hand and door thickness.

1796 drug cupboard lock



Cylinder rim security night latch. Automatic deadlocking when door is closed. Supplied with striking plate. Key can only be removed in locked position. Lockcase of bright chrome plated steel.

Door thickness	Distance ring	Distance ring ref.
27-72mm	-	-
22-27mm	5mm	46 08 62
17-22mm	10mm	40 76 59
12-17mm	15mm	45 65 96
7-12mm	20mm	41 77 42
2-7mm	25mm	46 08 63

For 5-pin cylinders subtract 5mm from the size of distance ring required.

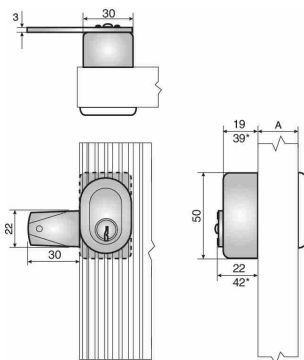
5-pin cylinders (R507, F507):

A = 22mm

Other cylinders:

A = 28mm

593 / 1593 cupboard locks



* 1593 includes +20mm packing piece

Cylinder rim fixing cupboard locks. Key can only be removed when door is locked. Lockcase of zinc plated steel. 1593 version incorporates packing piece for use on thinner doors, see table below.

(A) Door thickness	Lock type
20-65mm	593
9-45mm	1593

* 1593 includes +20mm packing piece.

Cylinder rim locks / Special purpose locks



Application

Rim Night Latch and Rim Deadlock for doors which cannot be fitted with mortice locks.

Cylinders

- ASSA 5-Pin
- ASSA Flexcore Plus
- ASSA 4800
- ASSA Twin Combi
- ASSA dp4400
- ASSA CLIQ



Scandinavian Oval Rim

Can be incorporated into an ASSA master key system



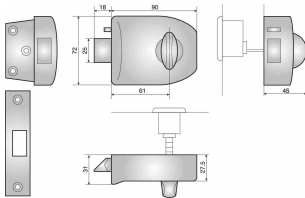
Used with Scandinavian Oval shaped rim cylinder and sleeve. Optional zinc plated striking plate for use with outward opening doors. Lock illustrated is to suit outward opening.

Minimum door thickness 35mm with ASSA 5-Pin and Flexcore Plus cylinders, 40mm with other ASSA cylinders. Cylinder distance rings may be used on thinner doors.

For finishes see Lockcases Information appendix.

When ordering please specify inward or outward opening and door thickness.

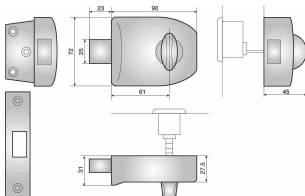
776 cylinder rim nightlatch



Cylinder Rim Nightlatch with automatic deadlocking as the door closes. Simple lock-back facility by depressing latchbolt into lockcase. Brass latchbolt released by turning thumbturn.

Exterior		Interior
Key retracts latchbolt. Latchbolt automatically deadlocked.		Thumbturn retracts latchbolt.

777 cylinder rim deadlock



Cylinder Rim Deadlock. Extra long deadbolt thrown 23mm by 180° turn of key or thumbturn.

Exterior		Interior
Key operates deadbolt.		Thumbturn operates deadbolt.

Three point mortice locking / Special purpose locks



Application

Suitable where free passage is required at certain times, but security is needed the rest of the time. Minimises the hardware visible on the surface of the door. Ideal for both commercial and domestic applications.

Cylinders



- ASSA 5-Pin
- ASSA Flexcore Plus
- ASSA 4800
- ASSA Twin Combi
- ASSA dp4400
- ASSA CLIQ

Scandinavian Oval or Round

Can be incorporated into an ASSA master key system

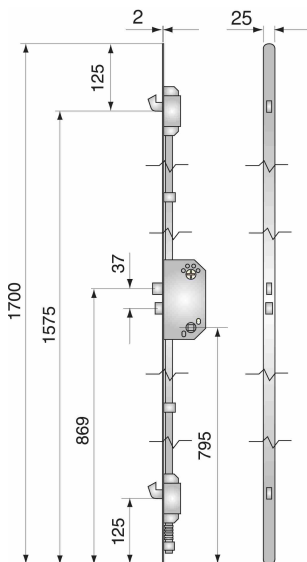


Multipoint mortice locks with spring latchbolt, deadbolt and two hookbolts.

Supplied with receivers for top and bottom hookbolts. Cylinder, cylinder accessories 256/18256, unprung or double sprung lever handles and security strike for centre deadbolt supplied separately. 2000 also requires backplates and thumbturn.

Standard finish yellow chromate. When ordering please specify hand.

2025 three point sash lock



Central deadbolt has 20mm bolt throw hookbolts have 25mm throw. Bolts are hardened steel.

When unlocked, the door is held in place by the latchbolt, which is operated by depressing the lever handles. Raising the handles throws the two hookbolts operating the key through 360 deadlocks these into position and throws a central deadbolt.

Available with 50mm backset.

Exterior		Interior
Key operates deadbolt and hookbolts.		Lever handle retracts latchbolt.
Lever handle retracts latchbolt.		Raising lever throws hookbolts. Key deadlocks hookbolts and operates central deadbolt.

Three point mortice locking / Special purpose locks



Application

Suitable where free passage is required at certain times, but security is needed the rest of the time. Minimises the hardware visible on the surface of the door. Ideal for both commercial and domestic applications.

Cylinders



- ASSA 5-Pin
- ASSA Flexcore Plus
- ASSA 4800
- ASSA Twin Combi
- ASSA dp4400
- ASSA CLIQ

Scandinavian Oval or Round

Can be incorporated into an ASSA master key system

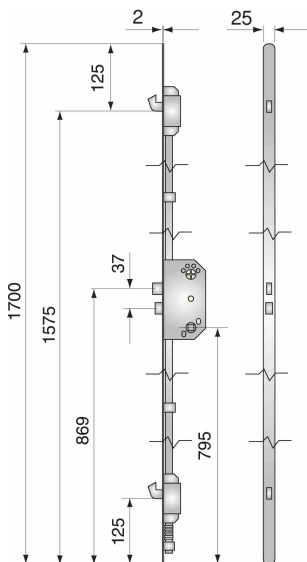


Multipoint mortice locks with spring latchbolt, deadbolt and two hookbolts.

Supplied with receivers for top and bottom hookbolts. Cylinder, cylinder accessories 256/18256, unsprung or double sprung lever handles and security strike for centre deadbolt supplied separately. 2000 also requires backplates and thumbturn.

Standard finish yellow chromate. When ordering please specify hand.

2000 three point special sash lock



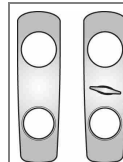
Central deadbolt has 20mm bolt throw hookbolts have 25mm throw. Bolts are hardened steel.

A thumbturn can be used to lock and unlock the door when the area is occupied, without a key being required. Deactivating the thumbturn when the building is left empty means that only authorised keyholders can then unlock the door.

Latchbolt is operated by depressing the lever handles. Raising the handles throws the two hookbolts operating the key or thumbturn deadlocks these into position and throws a central deadbolt. The thumbturn can be deactivated by a faceplate snib, so the door can only be unlocked by key.

Available with 50mm backset.

Exterior		Interior
Key operates deadbolt and hookbolts. Lever handle retracts latchbolt. Unlocking with key re-activates thumbturn.		Turn only operates deadbolt if faceplate snib is not activated. Lever handle retracts latchbolt. Raising lever throws hookbolts. Key deadlocks hookbolts and operates central deadbolt.



4256 accessory plate and 4356 accessory plate with thumbturn, supplied separately.

Security gate lock / Special purpose locks



Application

High security gate lock which operates two vertical locking shoots via lever handle bolts are then locked in position by key. Suitable for single and double leaf security gates.

Cylinders



Scandinavian Oval

- ASSA 5-Pin
- ASSA Flexcore Plus
- ASSA 4800
- ASSA Twin Combi
- ASSA dp4400
- ASSA CLIQ

Can be incorporated into an ASSA master key system

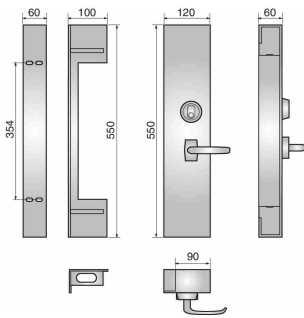


Lock assembly cassette can be screw fixed or welded onto the active or passive leaf/frame.

Requires cylinder (single or double), cylinder accessories, 1710 lever handle and 10mm square spindle, all supplied separately.

Available in hot galvanised or ungalvanised steel finishes.

485 gate lock



High security gate lock.

Two stainless steel 20mm diameter bolts with bolt throw 25mm.

1710 Lever Handle

For use with 485 gate lock.
Supplied singly.
Metallic grey finish.

Blocking locks / Special purpose locks



Application

Special lock with cylinder for blocking switches and fuse boxes to prevent switching on while repairs are being made thereby preventing accidents. This lock can be carried by authorised staff or placed where required.

Cylinders



- ASSA 5-Pin
- ASSA Flexcore Plus
- ASSA 4800
- ASSA Twin Combi
- ASSA dp4400
- ASSA CLIQ

Scandinavian Oval

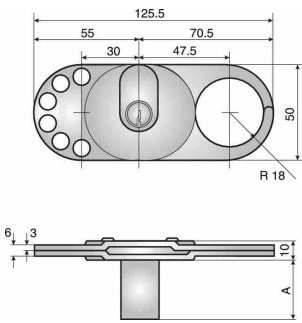
Can be incorporated into an ASSA master key system



Lock claws of bright zinc plated steel.
Cylinder is satin chrome plated.

Supplied as standard with two keys.

Blocking lock



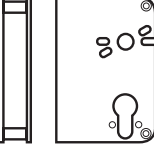
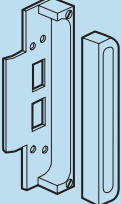
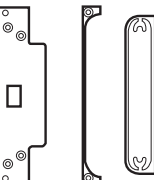
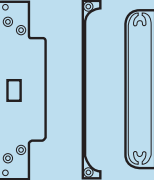
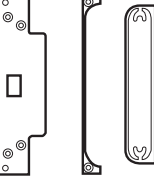



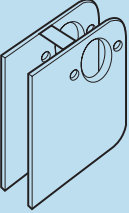
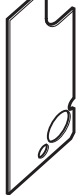
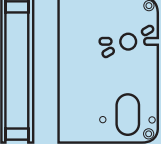
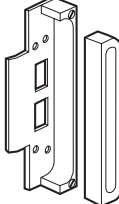
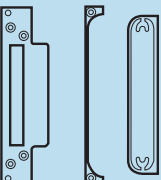
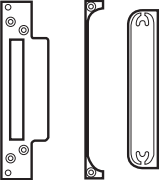
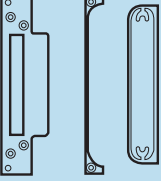
One claw used to block the switch. The other claw has six barring holes which enable other operatives to block the lock with their own individual blocking lock or padlock.

Ref.	Cylinder type	Dim. A
R1530	ASSA 5-pin	25.5mm
FP1530	ASSA Flexcore Plus	25.5mm
14830	ASSA 4800	31mm
C15830	ASSA Twin Combi 5800	31mm
14430	ASSA dp4400	31mm
14430*	ASSA CLIQ	31mm

Accessories











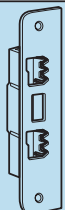
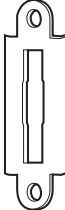



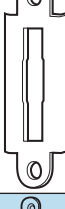
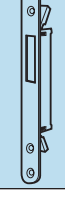
Product	Reference	Description	For use with
	35 18 28	Rim cover case converts mortice lock to rim fixing	Connect & Modular locks 50mm backset
	35 95 75 (35mm) 36 03 53 (50mm) 36 07 60 (70mm)	Lock shield anti-drill plates	Connect locks with Scandinavian Oval cylinders
	10 01 82	Anti-drill plates for Euro profile cylinders	Compact 57mm backset locks (except 3020)
	8012 (12mm) 8019 (19mm) 8025 (25mm)	Connect rebate kits	Connect locks
	3112	Compact 3000 rebate kit 12mm	Compact 3000 nightlatches with round faceplate
	3119	Compact 3000 rebate kit 19mm	Compact 3000 nightlatches with round faceplate
	3125	Compact 3000 rebate kit 25mm	Compact 3000 nightlatches with round faceplate
	Contact stockist for details	Faceplates ASA/ANSI	Modular locks

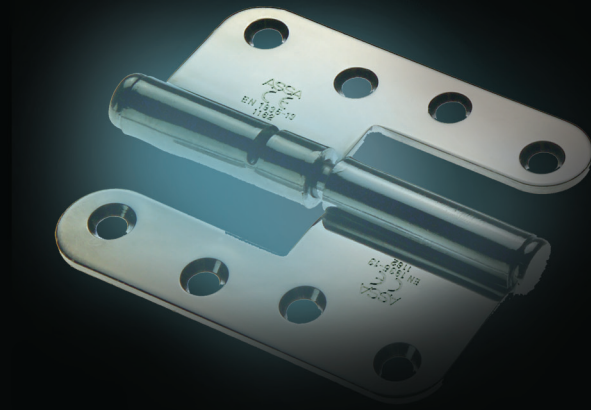
Product	Reference	Description	For use with
	8788	Drill resistant cover	Small case locks
	36 07 18 (50mm) 36 07 16 (70mm)	Lock shield anti-drill plates	Modular locks with Scandinavian Oval cylinders
	10 01 81	Anti-drill plates for Oval profile cylinders	Compact 57mm backset locks (except 3020)
	7012 (12mm) 7019 (19mm) 7025 (25mm)	Modular rebate kits	Modular locks
	3212	Compact 3000 rebate kit 12mm	Compact 3000 locks (except nightlatches) with round faceplate
	3219	Compact 3000 rebate kit 19mm	Compact 3000 locks (except nightlatches) with round faceplate
	3225	Compact 3000 rebate kit 25mm	Compact 3000 locks (except nightlatches) with round faceplate

Accessories



Product	Reference	Description	For use with
	35 77 29	Standard striking plate 36mm wide	Connect locks
	36 05 85 (44mm doors) 36 05 87 (54mm doors)	Single swing strike – anti-ligature	Connect 313 roller bolt lockcase
	04 73 33	Alternative striking plate 33mm wide	Modular locks
	45 10 57	Standard striking plate 40mm wide	Modular locks
	81 26 95	Alternative striking plate 48mm wide	Modular locks
	36 05 89 (44mm doors) 36 05 91 (54mm doors)	Single swing strike – anti-ligature	Modular 766 roller bolt lockcase
	35 17 85	Security striking plate	Deadlocks
	80 78 68	2887-1 striking plate for sliding door locks	2587 and 9787 Modular locks

Product	Reference	Description	For use with
	35 75 46	High security striking plate 40mm wide	Connect locks
	36 05 86 (44mm doors) 36 05 88 (54mm doors)	Double swing strike – anti-ligature	Connect 313 roller bolt lockcase
	40 80 66	Striking plate ASA/ANSI	Modular locks
	46 13 59	Striking plate	Modular nightlatches
	35 33 56	1887-2 security striking plate	Modular locks
	36 05 90 (44mm doors) 36 05 92 (54mm doors) Series	Double swing strike – anti-ligature	Modular 766 roller bolt lockcase
	46 88 97	Security striking plate	13787, 2587 and 9787 hookbolt locks (not motor locks)



Hinges

Journal supported



Grade 11 hinge / Journal supported



Application

Hinges for general applications.



Journal-supported lift-off hinges.

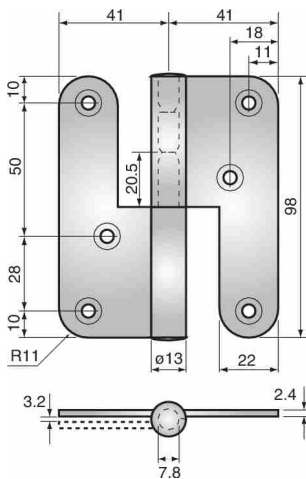
Right and left handed.

Supplied with 1 x 10g fully threaded countersunk wood screws.

For hinge selection and finishes see Hinges information appendix.

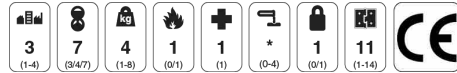
Manufactured from Grade CS4 rolled steel.

3220 hinge



Supplied with 6 wood screws.

(Dimension drawing shows RH hinge.)



Product has been successfully type-tested for conformity to BS EN 1935. Regular audit testing is undertaken.

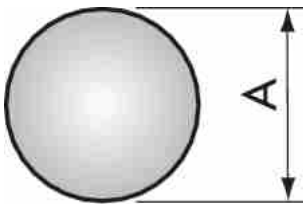
Tested and approved to BS EN 1935 Grade 11 (Heavy Duty). Maximum adjusted door weight: 80kg.

Minimum door thickness 28mm.

Approved for use on fire doors.

*For corrosion resistance see appendix.

249 adjustment discs



May be inserted into the hinge knuckle to raise the door.

Note: the adjustment should be no more than 3mm. If this is insufficient then the fitting of the door and hinges themselves will need to be adjusted.

Ref	A	Use with hinge type
7 x 1	7mm	3220
8.5 x 1	8.5mm	3228



Grade 13 hinges / Journal supported



Application

Hinges for heavy duty applications.



Journal-supported lift-off hinges.

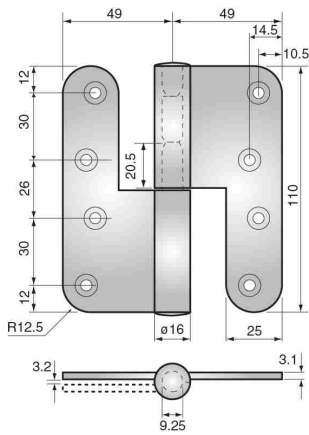
Right and left handed.

Supplied with 1 x 10g fully threaded countersunk wood screws.

For hinge selection and finishes see Hinges information appendix.

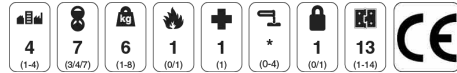
Manufactured from Grade CS4 rolled steel.

3228 hinge



Supplied with 8 wood screws.

(Dimension drawing shows RH hinge.)



Product has been successfully type-tested for conformity to BS EN 1935. Regular audit testing is undertaken.

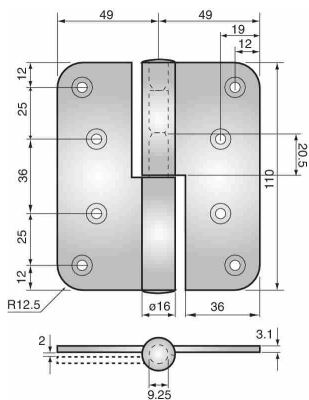
Tested and approved to BS EN 1935 Grade 13 (Severe Duty). Maximum adjusted door weight: 120kg.

Minimum door thickness 28mm.

Approved for use on fire doors.

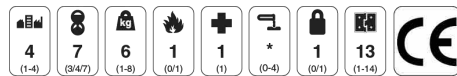
*For corrosion resistance see appendix.

3248 hinge



Allows symmetrical routing. Supplied with 8 wood screws.

(Dimension drawing shows RH hinge.)



Product has been successfully type-tested for conformity to BS EN 1935. Regular audit testing is undertaken.

Tested and approved to BS EN 1935 Grade 13 (Severe Duty). Maximum adjusted door weight: 120kg.

Minimum door thickness 36mm.

Approved for use on fire doors.

*For corrosion resistance see appendix.

Grade 13 hinges / Journal supported



Application

Hinges for heavy duty applications.



Journal-supported lift-off hinges.

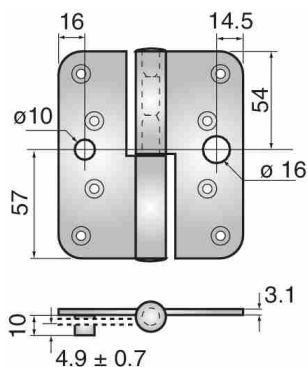
Right and left handed.

Supplied with 1 x 10g fully threaded countersunk wood screws.

For hinge selection and finishes see Hinges information appendix.

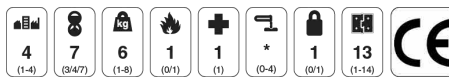
Manufactured from Grade CS4 rolled steel.

3248-05 hinge



Allows symmetrical routing. Supplied with 8 wood screws. Integral 10mm diameter security dog bolt.

(Dimension drawing shows RH hinge.)



Product has been successfully type-tested for conformity to BS EN 1935. Regular audit testing is undertaken.

Tested and approved to BS EN 1935 Grade 13 (Severe Duty). Maximum adjusted door weight: 120kg.

Minimum door thickness 36mm.

Approved for use on fire doors.

*For corrosion resistance see appendix.

Grade 14 hinges / Journal supported



Application

Hinges for very heavy duty applications.



Journal-supported lift-off hinges.

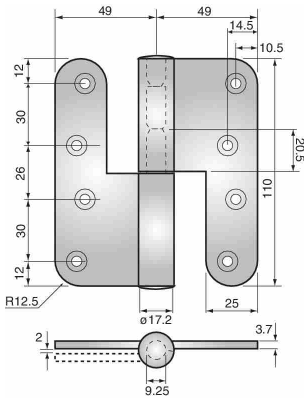
Right and left handed.

Supplied with 1 x 10g fully threaded countersunk wood screws.

For hinge selection and finishes see Hinges information appendix.

Manufactured from Grade CS4 rolled steel.

3278 hinge



Supplied with 8 wood screws.

(Dimension drawing shows RH hinge.)

Product has been successfully type-tested for conformity to BS EN 1935. Regular audit testing is undertaken.

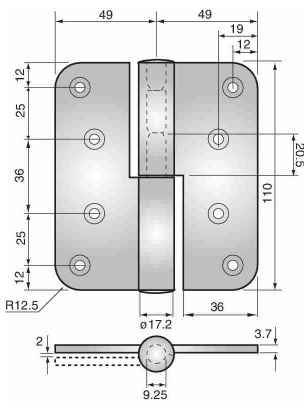
Tested and approved to BS EN 1935 Grade 14 (Severe Duty). Maximum adjusted door weight: 160kg.

Minimum door thickness 28mm.

Approved for use on fire doors.

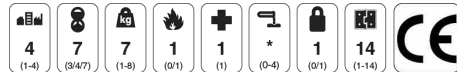
*For corrosion resistance see appendix.

3288 hinge



Allows symmetrical routing. Supplied with 8 wood screws.

(Dimension drawing shows RH hinge.)



Product has been successfully type-tested for conformity to BS EN 1935. Regular audit testing is undertaken.

Tested and approved to BS EN 1935 Grade 14 (Severe Duty). Maximum adjusted door weight: 160kg.

Minimum door thickness 36mm.

Approved for use on fire doors.

*For corrosion resistance see appendix.

Corrosion resistant



Corrosion resistant hinges / Corrosion resistant



Application

Hinge for use in severe environments where resistance to corrosion is vital.



Journal-supported lift-off hinges.

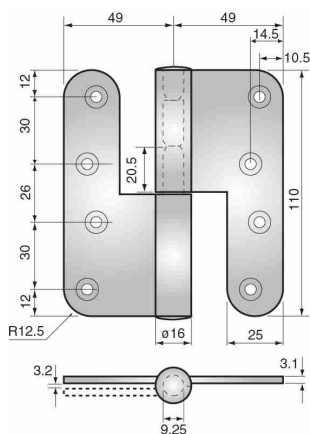
Right and left handed.

3228-ST/ST is supplied with 11/4 x 10g countersunk wood screws.

For hinge selection and finishes see Hinges information appendix.

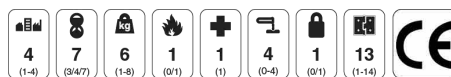
Manufactured from Grade 304 S15 stainless steel.

3228-ST/ST stainless steel hinge



Supplied with 8 stainless steel fully threaded wood screws. Hinge, including journal pin, constructed entirely from stainless steel.

(Dimension drawing shows RH hinge.)



Product has been successfully type-tested for conformity to BS EN 1935. Regular audit testing is undertaken.

Tested and approved to BS EN 1935 Grade 13 (Severe Duty).

Maximum adjusted door weight: 120kg.

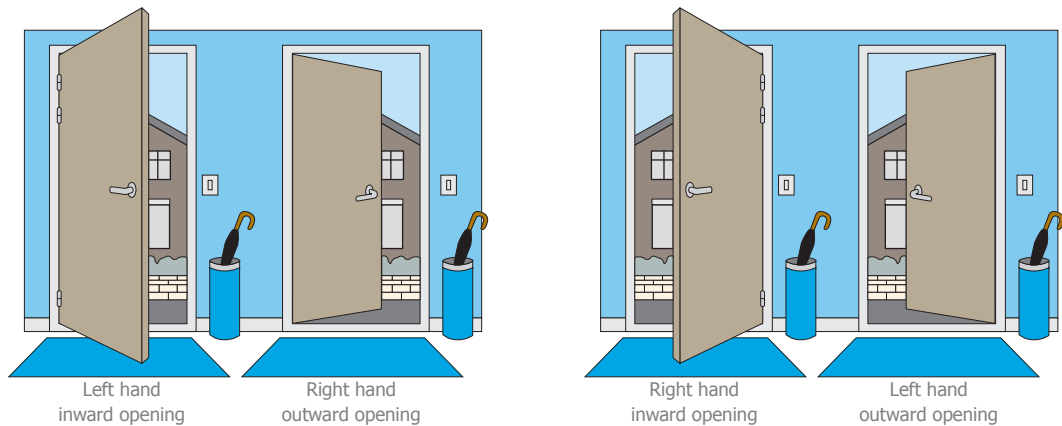
Minimum door thickness 28mm.

Approved for use on fire doors.

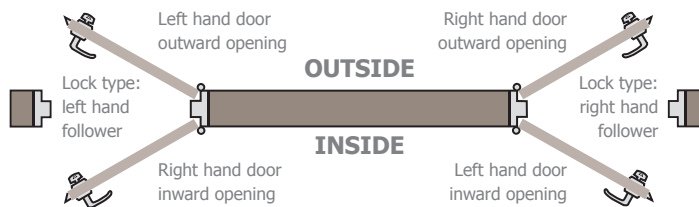
Door handing

A simple rule how to decide whether the door is left hand or right hand – Stand in front of the closed door on the side where you can see the hinges. If the hinges are to the right, it is a right hand door – if you see them to the left it is a left hand door.

Note that the handing of the door is always decided from the position of the hinge knuckles.



When specifying split follower locks the direction of door opening must also be stated.



How to order












A complete ASSA lock is made up from a number of different components. Thanks to the innovative modular nature of our product range, the specifier has a high degree of flexibility when assembling a lock package, because many items are interchangeable.

This guide shows how to draw up an order for a complete lock.

Lockset Type	Backset	Hand of Lock	Opening of Door	Cylinder Type	Accessory Type	Lever Handle Type	Optional Items	Finish	Door Thickness
See product pages	Select from options available	See door handing above	See door handing above	Refer to Cylinder & Key Systems section	Refer to Door Furniture section	Refer to Door Furniture section	If required see pages 3:62-63 and/or Door Furniture section	See finishes on page 3:66	Please state door thickness
Example: 310	Example: 70mm	Example: LH	Example: Inward	Example: 4801	Example: 256	Example: 640	Example: 4291	Example: 13	Example: 44mm
Most ASSA lock ranges offer a choice of backset; eg Connect (35/50/70) Modular (50/70), and Euro (55/60).	ASSA locks feature latchbolts which can be easily reversed on site, allowing the lock to be fitted to either hand of door.	The direction of door opening and door handing is critical information when specifying Split Follower locks.	Connect and Modular locks use Scandinavian Oval or Round cylinders; Compact locks use UK Oval or Euro profile; Euro locks use Euro profile only.	A complete Connect or Modular lock (50 or 70mm backset only) will normally include a 256 accessory set (cylinder ring & thumbturn) unless otherwise stated.	Lever handles and optional items such as decorative plates may be specified if desired. Furthermore, ASSA locks are compatible with many other makes of quality door furniture.	This information allows the stockist to determine the correct sizes of various components.			

Standards

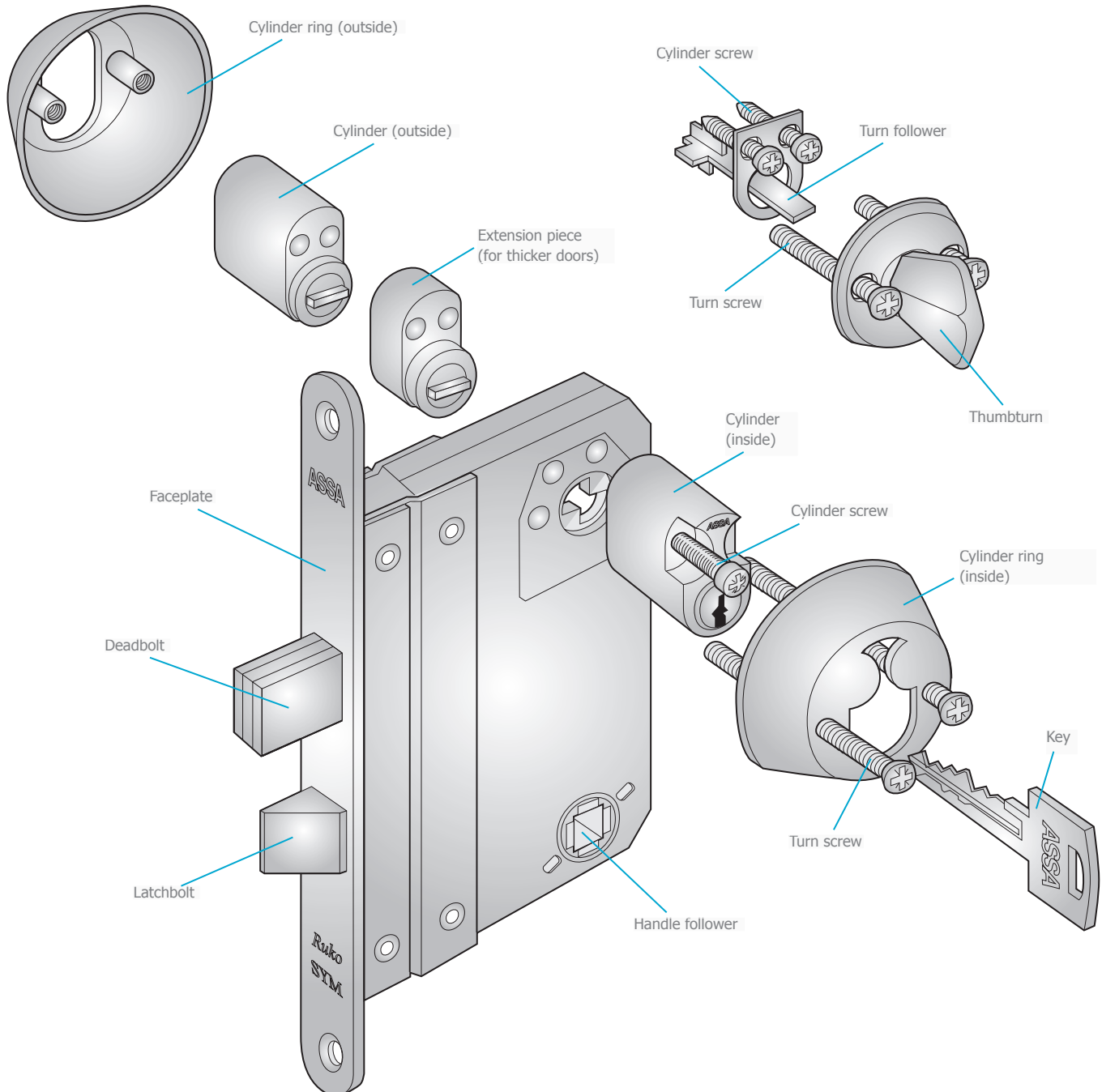
BS EN 12209 classifies lockcases under the categories shown. Certain locks also comply with BS EN 179 when used with appropriate accessories..

 Category of use	 Durability	 Door mass	 Fire resistance	 Safety	 Corrosion resistance	 Security	 Door application	 Key operation	 Spindle operation	 Key identification
---	--	---	---	--	--	---	--	---	---	--

(Note: graphic icons are copyright by the Door and Hardware Federation: www.dhfonline.org.uk)

Terminology & assembly

Names of lock components vary regionally and from one manufacturer to another. To ensure clarity in specifying ASSA locks the terminology shown below should be used as applicable.



Finishes

In the increasingly polluted atmosphere in which we live, the demands on products to resist corrosion are particularly high. ASSA products have the benefit of the latest automatic plating equipment which incorporates the best of modern plating processes. In addition our products are suitable for replating, on occasions when it is important to match the finish of other ironmongery on a project.

Except when stated as appropriate, all lockcases and components are manufactured from zinc plated steel. This offers excellent strength and corrosion resistance.

✓ Standard finish

● Special finish

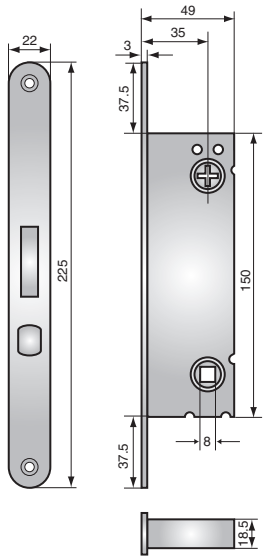
Contact your stockist for up-to-date information.

	Item	Bright nickel Fin 02	Polished chrome Fin 11	Satin chrome Fin 13	Polished brass Fin 20	Satin s/steel Fin 31	Polished s/steel Fin 32	S/steel effect Fin 34	Bright zinc Fin 57	Yellow zinc/ iron Fin 62	Black lacquer Fin 66	Aluminium Fin 81
Connect locks	Lockset			●					✓			
	Accessories*		●	✓	✓	✓						✓
	Cylinder		●	✓	✓			✓				
Modular locks	Lockset			✓	✓				●			
	Accessories		●	✓	✓	✓						✓
	Cylinder		●	✓	✓			✓				
D450 Euro locks	Lockset					✓						
	Accessories					✓						✓
	Cylinder			✓				✓				
Compact locks	Lockset				✓	✓	✓					
	Accessories		✓	✓	✓	✓						✓
	Cylinder		●	✓	✓			✓				
Small case locks	Lockset			✓	✓							
	Accessories		●	✓	✓	✓						
	Cylinder		●	✓	✓			✓				
Narrow profile locks	Lockset								✓			
	Accessories		✓									
	Cylinder			✓				✓				
Cabinet locks	Lockset	✓										
	Cylinder			✓	●							
Cupboard locks	Lockset								✓			
	Cylinder			✓	✓							
Rim locks	Lockset										✓	
	Cylinder			✓	✓							
2020T toilet lock	Lockset									✓		
	Cylinder			✓	✓							
40C lever lock	Lockset								✓			
	Cylinder			✓								

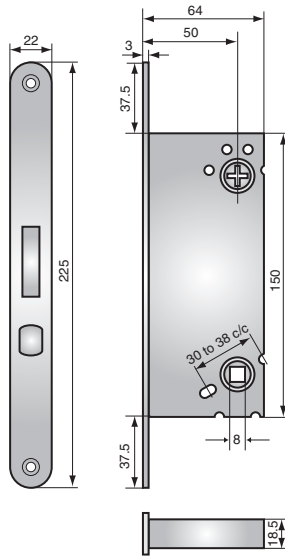
* Connect locks with 35mm backset use special narrow profile accessories available in finish 13 only.

Lockcase dimensions

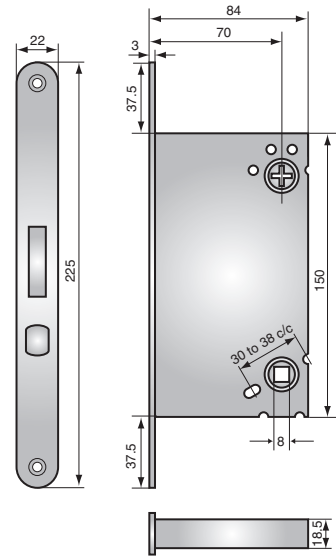
➤ Connect 35mm backset



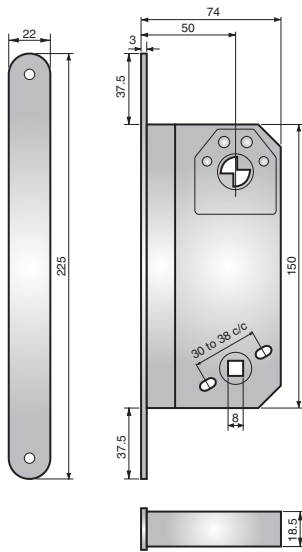
➤ Connect 50mm backset



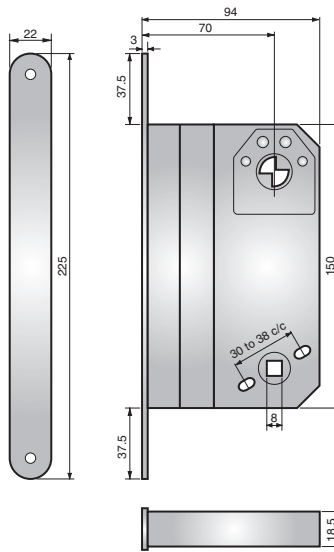
➤ Connect 70mm backset



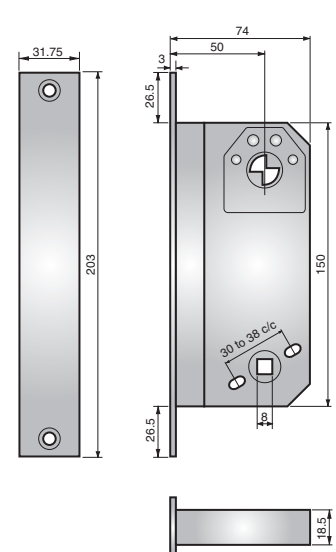
➤ Modular 50mm backset



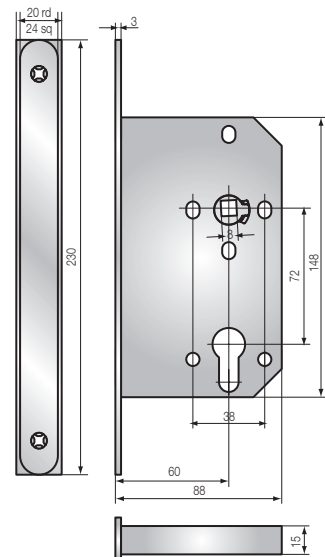
➤ Modular 70mm backset



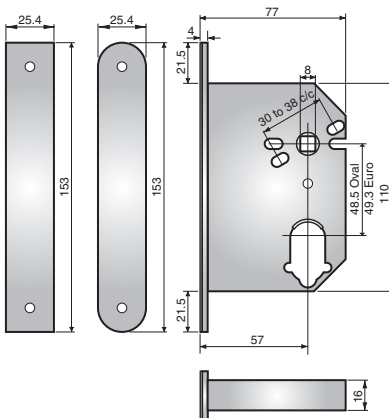
➤ Modular ANSI faceplate



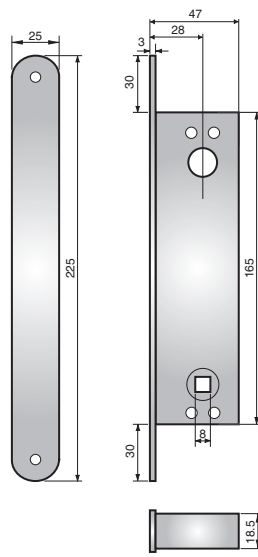
➤ D450 Euro 60mm backset



➤ Compact 57mm backset

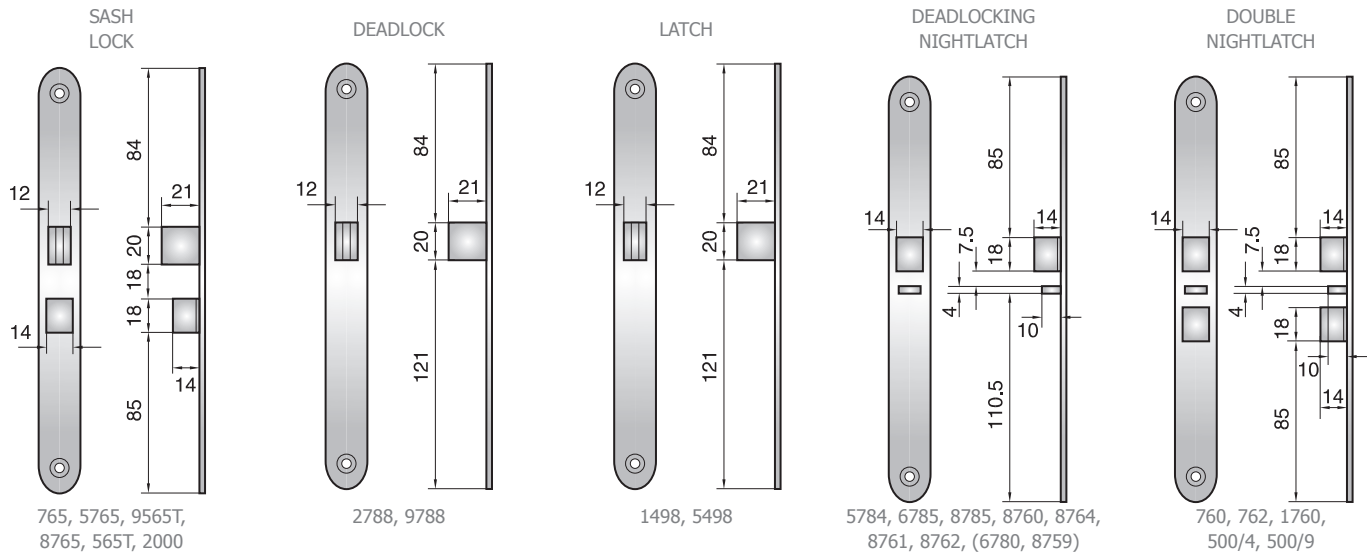


➤ Narrow Profile 28mm backset

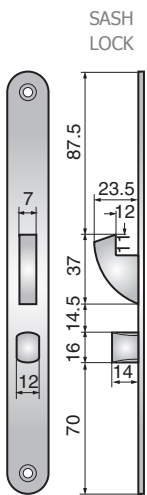


Dimensions & positions of bolts

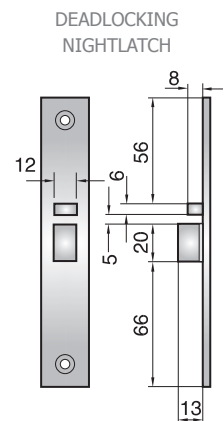
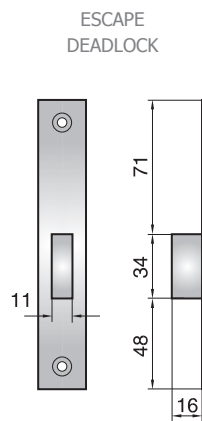
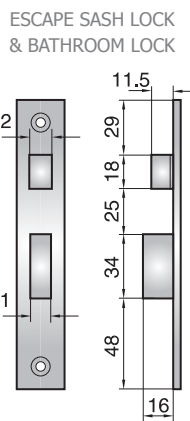
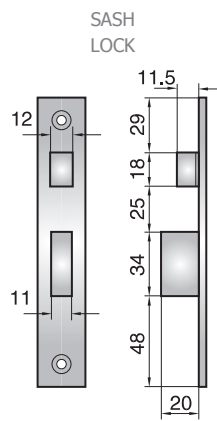
Modular



Connect

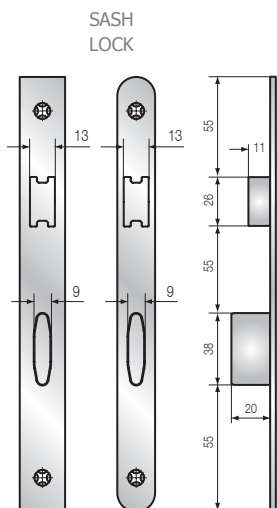


Compact

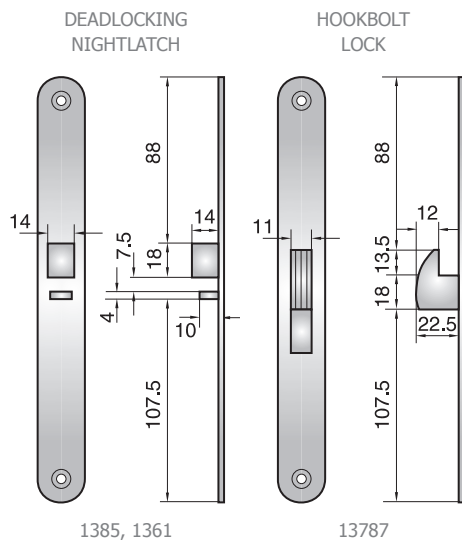


Deadlock and Latch:
use deadbolt and latchbolt
dimensions as applicable.

D450 Euro

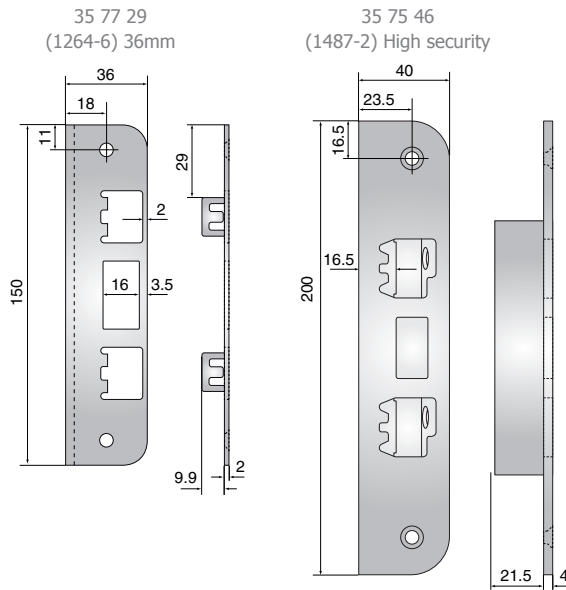


Narrow profile

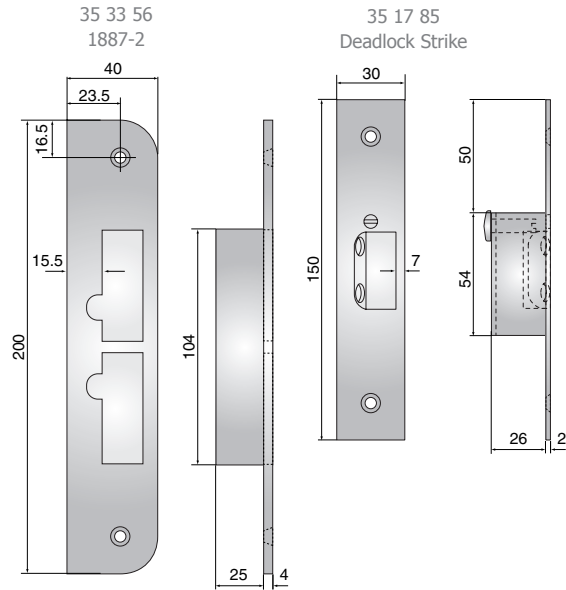


Striking plate dimensions

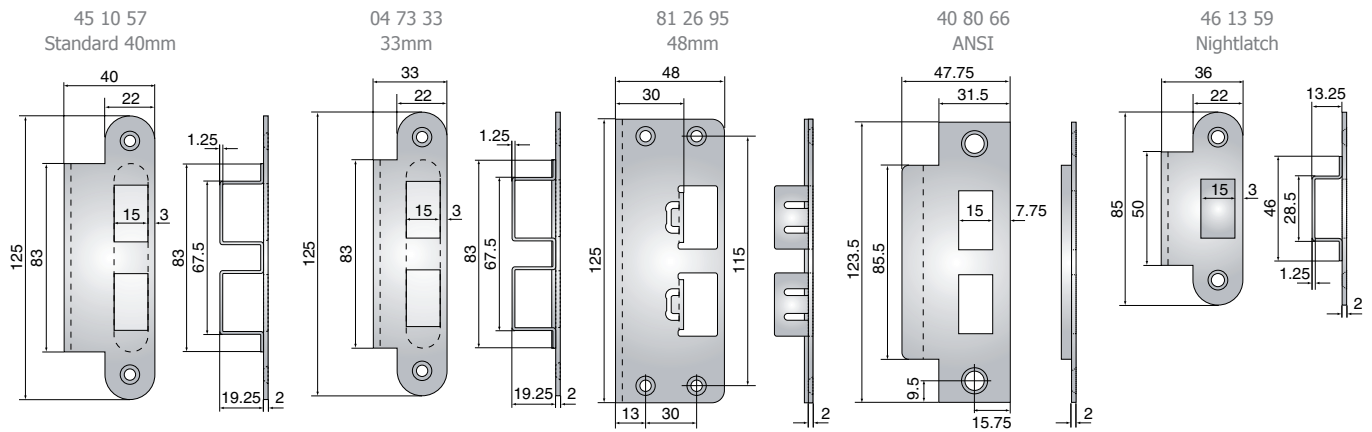
Connect



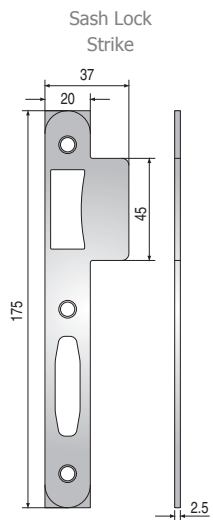
Modular high security



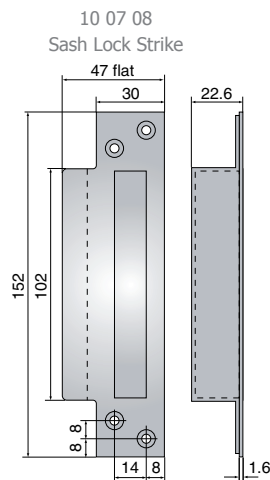
Modular



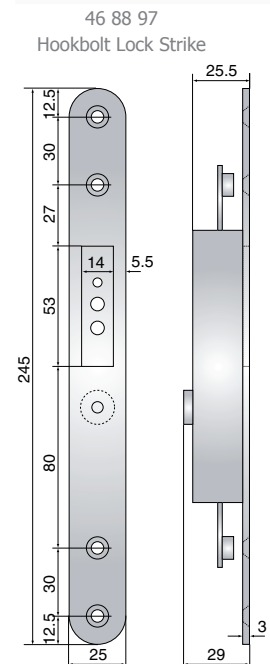
D450 Euro



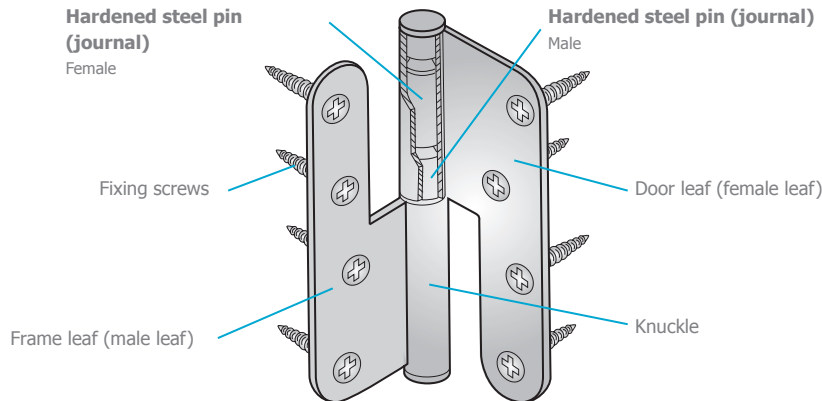
Compact



High security for hookbolts



Terminology



Features and benefits

Hardened steel pins.

Reduces wear thus increasing the hinge life.

Unique method of securing the pins, so they cannot be driven out.

Increased security and resistance to attack. Higher strength and performance. Fixed pins cannot be lost during installation.

Low-friction minimum bearing surface: load is carried on the journals.

The door is easy to open, even for the elderly. The hinges will not creak.

No ball-bearings.

Easier on-site handling, with no risk of losing the ball bearings. Reduced costs and lower maintenance requirements.

Well-chamfered journals with short pins.

Makes hanging the door faster and easier, thus reducing installation costs.

Radiused hinge leaves.

Makes fitting the hinges to timber doors and frames faster, easier and neater.

May be purchased either complete or as separate leaves and screws.

Ideal for either site or factory assembly.

Standards

The main British Standard governing the performance of hinges is BS EN 1935. This divides products into 14 separate grades, depending on their strength and durability. Grade 1-10 hinges are for light to medium duty only, while Grade 11-14 hinges are also suitable for heavy and severe duty. Please note that section B3 of BS EN 1935 states that it should not be possible to remove the hinge pin or separate the hinged part of the door assembly without special tools. However, as written, the first version of this standard

omits the words 'with the door in the closed position', and if taken literally this would mean that lift-off hinges were barred from use on fire doors. This was not intended, and the CEN Committee has agreed to amend section B3 in the next edition of the standard. In the meantime, notified testing bodies have been advised that lift-off hinges can be approved and CE-marked, provided they meet all other criteria of the standard. Our policy is to test and classify our hinges according to BS EN 1935. By showing this information, the specifier

can be confident that the hinges chosen will meet the performance requirements of any particular application. Furthermore, our manufacturing plant is registered to ISO 9001, the international Quality Standard. This enables us to guarantee that all our products will meet our stringent quality requirements.

BS EN 1935 classifies hinges under the following categories:

Category of use	Durability	Door mass	Fire resistance
Safety	Corrosion resistance	Security	Hinge grade

(Note: graphic icons are copyright by the Door and Hardware Federation: www.dhfonline.org.uk)

Hinge selection

STEP 1 Find the weight of the door

The most important factor in determining the correct hinge to use is the weight of the door. When calculating this, remember to include the weight of any ironmongery, such as locks, furniture and door closers, as well as the weight of the door itself. The basic weight of the door should then be adjusted to take account of any special factors. To do this add together the relevant percentage increases from the table opposite then multiply them by the basic weight. This will give the Initial Adjusted Weight.

Factor	Adjustment	Notes
Door closer fitted	+20%	Adjustment recommended by BS EN 1935
Backcheck door closer fitted	+75%	Adjustment recommended by BS EN 1935
Subject to high wind forces	+10%	ASSA ABLOY Door Solutions recommendation
Subject to physical abuse	+10%	ASSA ABLOY Door Solutions recommendation
Duty	Select hinge to suit level of duty as recommended by BS EN 1935 Annex A (see table below)	

EXAMPLE

A perimeter security door is 1,150mm wide, weighs 50kg and is fitted with 5kg of ironmongery. It is fitted with a backcheck door closer (+75%), and subject to high wind forces (+10%) and to physical abuse (+10%).

Basic Weight:

55kg (50kg plus 5kg)

Initial Adjusted Weight (Step 1):

107kg (55kg plus 95%)
[95% is from 75%+10%+10%]

Final Adjusted Weight (Step 2):

135 kg (107kg plus 26%)
[26% is from width 1150mm]

Hinges required (Step 3):

Grade 14 hinges.

Note that because of the potential for abuse, Severe Duty hinges would be indicated; but Grade 14 already meets this requirement as standard.

STEP 2 Check door adjusted weight against door width

Having calculated the Initial Adjusted Weight of the door, this should be cross-referenced with the width of the door, in the chart opposite, to identify the Width Adjustment. Multiply the Initial Adjusted Weight by the Width Adjustment to obtain the final Adjusted Weight.

Note: for door sizes not listed in the chart, use the formula:

$$2 - (\text{Height/Width}) \%$$

Door size		Width adjustment
Height mm	Width mm	
2,000	Up to 1,000	0
2,000	1,050	+10%
2,000	1,100	+18%
2,000	1,150	+26%
2,000	1,200	+33%
2,000	1,250	+40%

STEP 3 Determine hinge grade required

The Final Adjusted Weight of the door should be checked in the table opposite to determine which grade of hinge is required.

However, please note that hinges which could be subject to abuse or rough handling may need to be of a higher grade (heavy or severe duty) than would otherwise be indicated by the door weight alone. Consult the table to ensure that a suitable hinge is specified.

Final adjusted weight	Hinge grade required	ASSA hinges recommended
Up to 80 kg	Grade 11	3220
81 - 100 kg	Grade 12	3228, 3248
101 - 120 kg	Grade 13	3228, 3248
121 - 160 kg	Grade 14	3278, 3288

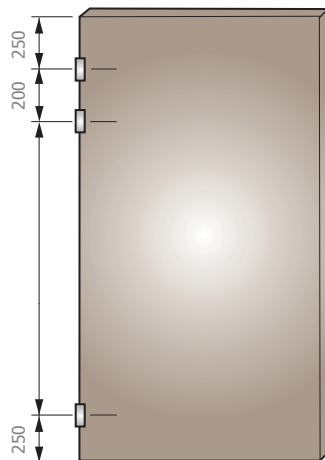


Duty	Type of use	Typical applications	BS EN grade	ASSA hinges recommended
Heavy duty	High frequency of use by members of the public.	Public, institutional and commercial buildings.	11	3220
Severe duty	Doors potentially subject to abuse or violence.	Security doors.	12-14	3228, 3248, 3278, 3288

Hinge selection

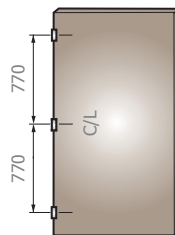
STEP 4 Hinge positioning

Note that while it is common practice to fit two hinges to lightweight doors, BS EN 1935 recommends that at least three hinges should always be fitted. This is especially important when a door closer is used. BS ratings shown in this catalogue are based on the use of three hinges per door (Note, however, that ASSA recommends that 4 hinges are used on doors over 2250mm in height).



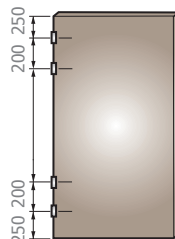
Standard doors

The standard positioning when fitting three hinges to a door is as shown. This gives the most effective load bearing capability.



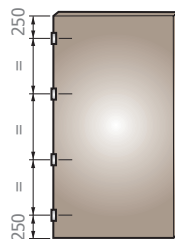
Lightweight doors

Two hinges may be fitted as shown. On doors subject to warping, such as glazed doors, fit a third hinge in the centre of the door.



Heavy doors

When load bearing is the prime consideration, fit four hinges as shown.

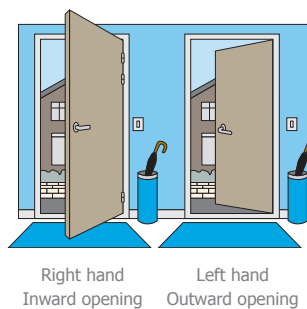
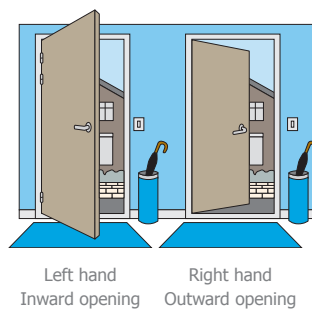


Tall doors (over 2250mm)

On tall doors or those which are particularly subject to warping (such as glazed doors) fit four hinges equally spaced, as shown.

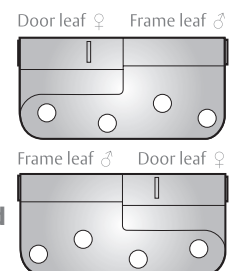
STEP 5 Handing

Fit right hand hinges (symbol 'R') to right hand doors, and vice-versa. A simple rule to determine the handing of a door – stand in front of the closed door on the side where you can see the hinge knuckles. If they are to the right, it is a right hand door – if they to the left, it is a left hand door.



L
Left hand hinge

R
Right hand hinge

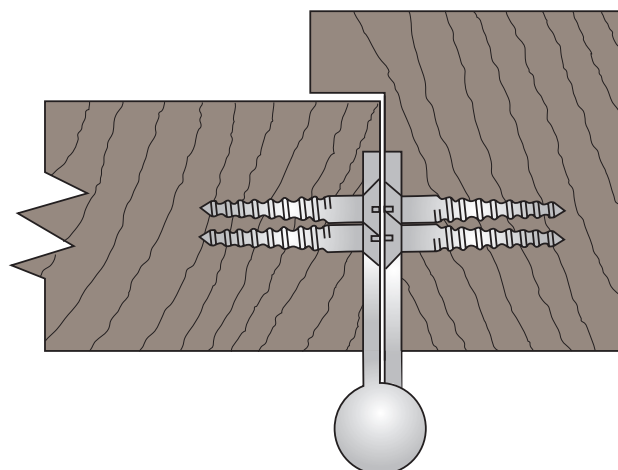


STEP 6 Fitting and lubrication

Hinges should be morticed into the edge of the door and the frame. Ensure that all hinges fitted to the door are lined up vertically.

On a standard 44mm door, the centreline of the narrow part of the hinge leaf should align with the centreline of the door. The hinge knuckle will project beyond the face of the door, as shown.

Lubrication should normally be carried out on installation and then twice per annum.



Use only the ASSA screws provided when fitting hinges to timber doors, as the load-carrying capacity of the hinge is dependent on the correct screws being used. A pilot hole should be drilled for the screws. ASSA hinges are normally supplied with 10g wood screws: we recommend preparing the pilot holes with a 2.4mm diameter drill.

(These sizes are recommended for soft wood; pilot holes for hardwood may need a slightly larger drill size.)

Finishes

In the increasingly polluted atmosphere in which we live, the demands on products to resist corrosion are particularly high. ASSA products have the benefit of the latest automatic plating equipment which incorporates the best of modern plating processes.

- ✓ Standard finish
 - Special finish
- Contact your stockist for up-to-date information.

Item	Satin s/steel Fin 31	Polished s/steel Fin 32	Bright zinc Fin 57	Yellow zinc/iron Fin 62	Satin chrome Fin 13	Polished brass Fin 20	Polished chrome Fin 11	Blue-silver zinc/iron Fin 58
3220			✓	✓	●	●	●	●
3228			✓	✓	●	●	●	●
3248*			✓	●	●	●	●	●
3228 ST/ST	✓	●						
3278, 3288			✓	●				
3211-1				✓**				●
CEN corrosion resistance	Grade 4	Grade 4	Grade 3	Grade 4	Grade 1	Grade 3	Grade 4	Grade 4

Zinc-iron finishes (58 and 62) include a protective lacquer coating.

* 3248-05 available in finishes 57 and 62 only (ex-works).

** 3211-1 hinge finish referred to as Fin 51: this is yellow zinc-iron with stainless steel hinge pins.

Corrosion resistance

Finishes are rated according to the requirements of EN 1670: 2007 as shown in the table. Please note that the grade of stainless steel used to manufacture the ASSA stainless steel hinges has been tested to over 1,500 hours in a salt spray test without corrosion.

Grade 0	Grade 1	Grade 2	Grade 3	Grade 4	Grade 5
No defined resistance	Low resistance	Moderate resistance	High resistance	Very high resistance	Exceptionally high resistance