



Cyclepods

Transforming bike storage

YOUR PARTNER FOR ALL THINGS CYCLING RELATED



CYCLEPODS IN NHS

WWW.CYCLEPODS.CO.UK - 0845 094 0490 - BETSOMS BARN, WESTERHAM, KENT, TN16 2DS

CLIENTS

Cyclepods has over 15 NHS Trusts as clients and hospitals. We have a trusted reputation to be able to provide cost effective, secure and space saving cycle parking. Our products are extremely versatile and easily installed on almost any surface and they work extremely well within hospital sites.

OUR CUSTOMERS:

Frimley Park Hospital NHS Foundation Trust
NHS Wales
Great Ormond Street NHS Trust
Nottingham University Hospitals NHS Trust
Brighton and Sussex University Hospitals NHS Trust
Sherwood Forest Hospitals NHS Foundatuion Trust
NHS East Kent
NHS Scotland
Papworth Hospital NHS Foundation Trust
Buckinghamshire Hospitals NHS Trust
University Hospitals Bristol NHS Trust
Derby Hospitals NHS Foundation Trust
East Surrey and Sussex NHS Trust
Southport and Ormskirk Hospital NHS Trust
West Hertfordshire Hospitals NHS Trust

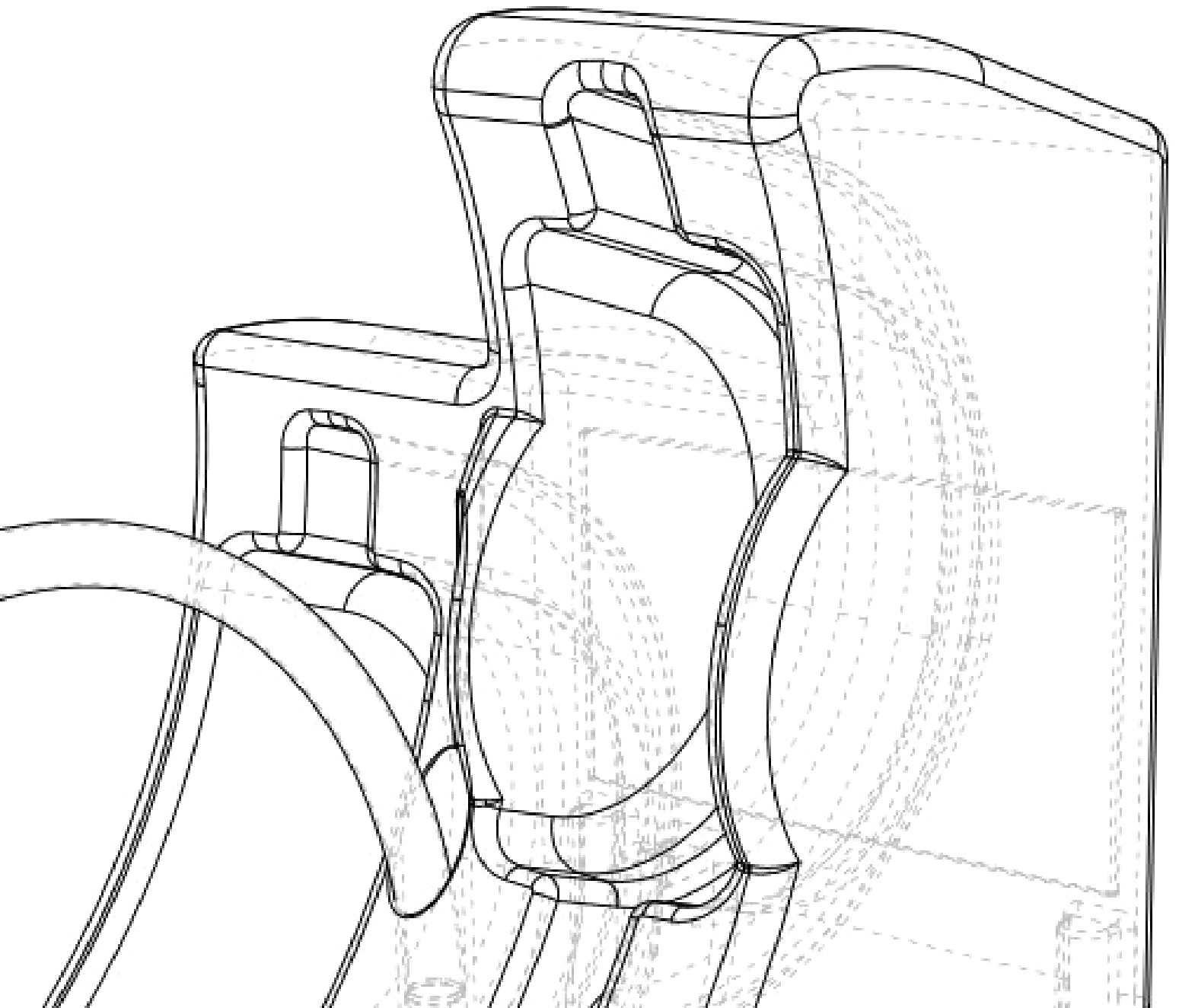


DESIGN

As "green" (eco) procurement is becoming more popular, Cyclepods products provide an innovative and sustainable solution as they are manufactured in the UK from 100% recycled and recyclable materials. Cyclepods Ltd are also the first and only "Carbon Neutral" cycle storage company!

We have a team of experienced designers who can help with planning your cycle storage to ensure space efficiency and maximum usage. Our in house installation team will ensure our products are installed safely, securely and responsibly.

We supply a range of innovative cycle parking solutions all of which are stylish, sustainable, space-saving and secure and give branding and sponsorship opportunities. Our iconic Cyclepod, the very secure Streetpod, the Lockerpod+ and our two tier system, the Easylift+ with power assistance for easy lifting and retrieval of your cycle, are all ideal for hospital environments.



PRODUCTS

Our products share the following benefits:

- Innovative design to encourage cycling
- Compact design yet an individual track for each bike to prevent bike over crowding and damage
- UK Manufacture with recycled materials as standard
- High quality robust materials which will not chip or rust
- No foundations

Our Streetpod is the only cycle parking product for public areas that has been accredited by Secured by Design because of its unique “one-lock-secures-the-whole-bike” feature and its robustness.

The Easylift+ two-tier system is already in use by some 4,000 cyclists at railway stations in Surrey, Sussex and Hampshire and by 65,000 cyclists at Dutch railway stations.

CYCLEPOD



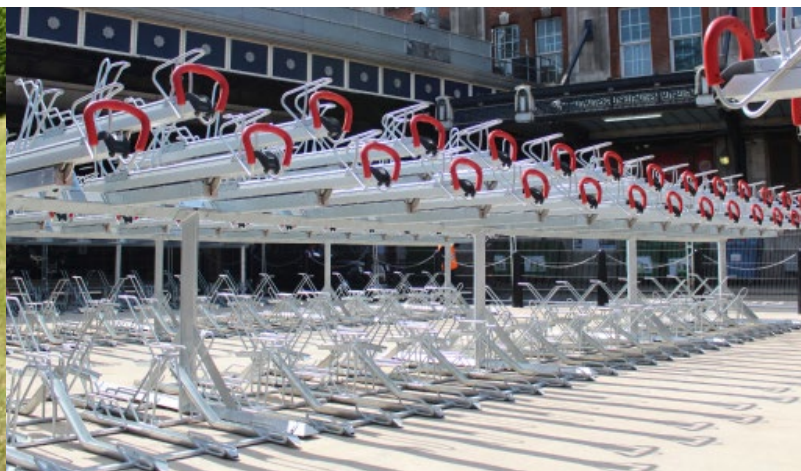
STREETPOD



LOCKERPOD+



EASYLIFT+



CASE STUDY

We received an email from Natalie Firminger an Associate Director, who had just taken the lead for sustainability at the West Hertfordshire Hospitals NHS Trust. The Trust includes Watford General Hospital, St. Albans City Hospital and Hemel Hempstead Hospital. Natalie was requesting information on products and prices but also if we were aware of any sources of funding for work place cycle parking.

We contacted partners at Hertfordshire County Council to ask who was best placed to help with such an enquiry. We were put in touch with Stephen Lloyd-Jones of "Big Herts Big Ideas". The BIG HERTS BIG IDEAS project, managed by Hertfordshire County Council, had been awarded a grant of £9.7m from the Government's 'Local Sustainable Transport Fund' and is a package of complementary transport schemes which aims to improve the local economy and reduce carbon emissions in Watford, St Albans and Hemel Hempstead.

Stephen had been trying to sign up Watford General Hospital but had been unsuccessful due to no-one taking the lead in the Trust. Natalie, Stephen and Cyclepods Sales Manager Chris Tsielepi exchanged details and arranged a meeting at the hospital where it was discussed how we could proceed.



Cyclepods measured up and advised what could be achieved in the space available. Of particular importance was the need for the products to be Secured-By-Design approved. A request for £31,000 was submitted to BigHertsBigIdeas which was quickly approved as the application fulfilled the projects aims and gave the project a massive boost by including the hospital which is Watford's biggest employer. The project included new cycle parking, public use bike repair stand, public use bike pump and showers.

From the initial enquiry on 23rd August all the products were installed by 3rd January. The scheme was opened on 6th February by Rob Hayles, three-time Olympic medalist and double Track World Champion. A further grant for cycle parking at St. Albans and showers has now also been approved. Chris from Cyclepods said "We think this is a great example of partners working together to help each other achieve their goals and objectives of achieving a shift to more sustainable modes of transport whilst delivering a first-class service to the public."



TESTIMONIALS

Cyclepods have provided us with a great cycle storage solution within our inner London hospital site where space is limited and security is paramount”

- Fiona Daly | Barts and the London Hospital | Environmental Manager

“I would like to say a big thank you to you and your staff for all that you have done for the NHS Trust from the initial kick off meeting to the final installation of the 5 shelters and 30 pods, you have been totally professional and helpful throughout the process”

- Tony Kinnear | Travel Planning Manager | East Kent NHS Trust

