

# urinals

urinals and fittings



*Armitage  
Shanks*  
*Ideal  
Standard*

selection

# urinals

urinals

	Page	Applications	Material	Type	Exposed or concealed cistern			Available with Sensorflow	Colours		
					Waste	White	Chablis		Honey Moon		
Aridian Waterless											
– Concealed	11:1:2		Vitreous china	Bowl	None	41mm OD	No	●			
Aridian Waterless											
– Exposed	11:1:1		Vitreous china	Bowl	None	41mm OD	No	●			
Contour	11:1:3		Vitreous china	Bowl	Concealed	1 1/4in or 1 1/2in	Yes	●			
Deveron	11:1:5		Stainless steel	Slab	Either	2in	No	Polished			
Kinloch	11:1:6		Stainless steel	Trough	Either	2in	No	Polished			
Kinloch Waterless	11:1:7		Stainless steel	Trough	None	41mm OD	No	Polished			
Nairn	11:1:10		Fireclay	Slab	Either	2 1/2in	No	●			
Sanura 50cm	11:1:4		Vitreous china	Bowl	Either	1 1/4in or 1 1/2in	Yes	●	●	●	
Sanura 40cm	11:1:4		Vitreous china	Bowl	Either	1 1/4in or 1 1/2in	Yes	●			
Tay	11:1:8		Stainless steel	Bowl	Either	1 1/2in	Yes	Polished			
Unisteel	11:1:9		Stainless steel	Slab	Either	2 1/2in	No	Polished			

urinals

# aridian waterless

Vitreous china waterless bowl urinal with exposed outlet and special cartridge.

Saves water, can reduce maintenance costs, is easy to install and requires no cistern or flushpipe.

- Exposed outlet
- Water saving (236,000 litres pa\*)
- Cost saving
- Hygienic
- WRAS approved

urinals



### Illustrated

**S6190 (26212WS)**  
Aridian vitreous china waterless bowl urinal, exposed outlet with outlet adapter and fixing hangers

**S6120 (2606000)**  
vitreous china division with hanger and screw

### Material

Vitreous china

### Weight

Urinal 10.0kg  
Division 8.0kg

### Colours

Available in White only

### Standards

Vitreous china to BS 3402.  
WRAS approval

### Associated products

**S6282 (7928100)**  
Replacement cartridge

**S6283 (7928132)**  
Replacement cartridges in boxes of 32

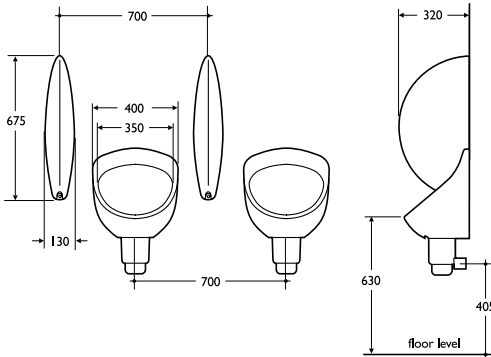
### Special notes

Outlet plain 41mm OD tube to push connect to polypropylene wastepipe to BS 5254.

Cartridges last for approximately 7,000 uses.

Installers must ensure that urinals are connected to wastepipe systems which are adequately vented.

\* Estimated saving per bowl, per year based on conventional urinal flushing of 4.5 litres, 6 times per hour, 24 hours per day, 365 days per year



S6282



urinals

# aridian waterless

Vitreous china waterless bowl urinal with concealed outlet and special cartridge.

Saves water, can reduce maintenance costs, is easy to install and requires no cistern or flushpipe.

- Concealed outlet
- Anti vandal concealed fixing
- Water saving (236,000 litres pa\*)
- Cost saving
- WRAS approved



### Illustrated

**S6195 (26202WS)**  
Aridian vitreous china waterless bowl urinal, concealed outlet renewable cartridge with outlet adapter, fixing hangers and toggle bolts  
**S6120 (2606000)**  
vitreous china division with hanger and screw

### Material

Vitreous china

### Weight

Urinal 14.0kg  
Division 8.0kg

### Colours

Available in White only

### Standards

Vitreous china to BS 3402.  
WRAS approval

### Associated products

**S6282 (7928100)**  
Replacement cartridge  
**S6283 (7928132)**  
Replacement cartridges in boxes of 32

### Special notes

Outlet plain 41mm OD tube to push connect to polypropylene wastepipe to BS 5254.

Cartridges last for approximately 7,000 uses.

Minimum recommended duct depth 10cm.

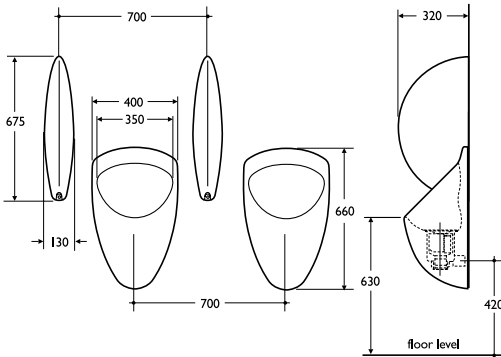
When fitting on panel the bottom access panel should be a maximum of 20cm in height.

Installers must ensure that urinals are connected to wastepipe systems which are adequately vented.

\* Estimated saving per bowl, per year based on conventional urinal flushing of 4.5 litres, 6 times per hour, 24 hours per day, 365 days per year



S6282



urinals

# contour

Wall urinals and divisions in vitreous china specially designed for ducted services with all service connections completely concealed.

Particularly appropriate for anti vandal installations.

- Completely concealed connections
- Anti vandal applications
- Designed for ducted services
- Easy clean design

urinals



### Illustrated

- S6110 (261229E) Contour urinal, 67cm
- S6286 (743449Z) back inlet spreader
- S8850 (90568N0) 1 1/2in plastic domed waste
- S8970 (71428Q4) 1 1/2in plastic P trap with 75mm seal
- S6120 (2606000) vitreous china division with screw and hanger
- S9276 (7221000) toggle bolts to suit maximum 25mm panel thickness
- S9275 (7220000) concealed steel hangers

### Material

Vitreous china

### Weight

Urinal 14.0kg  
Division 8.0kg

### Colours

Available in White only

### Standards

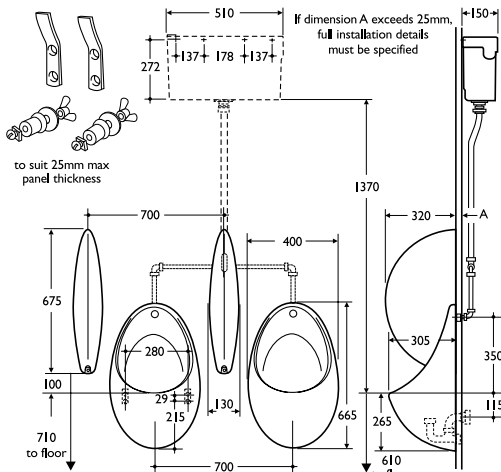
Vitreous china to BS 3402

### Options

- S8811 (90297N0) 1 1/4in plastic strainer waste
- S8965 (71427Q4) 1 1/4in plastic P trap with 75mm seal

### Special notes

See page 11:1:13 for flushpipes



Urinals for junior use should be set at 510mm from floor to lip of bowl



urinals  
**sanura**

Wall urinal in vitreous china for exposed or concealed plumbing.

Available in 2 sizes and so particularly suitable for combined adult and junior installations.

- Wall urinal
- Vitreous china
- Two sizes



**Illustrated**

- S6100 (261129E) Sanura 50cm wall urinal
- S6285 (74344A1) top inlet spreader
- S9275 (7220000) concealed steel hangers
- S8850 (90568N0) 1 1/2in plastic domed waste
- S8915 (70238Q4) 1 1/2in plastic bottle trap with 75mm seal
- S6120 (2606000) division with hanger and screw

**Standards**

Vitreous china to BS 3402

**Options**

- S6105 (261119E) Sanura 40cm wall urinal
- S6286 (743449Z) back inlet spreader
- S8811 (90297N0) 1 1/4in plastic strainer waste
- S8910 (70237Q4) 1 1/4in plastic bottle trap with 75mm seal

**Special notes**

See page 11:1:13 for flushpipes

**Material**

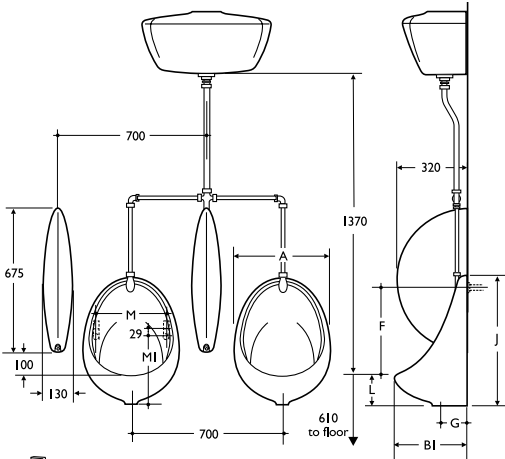
Vitreous china

**Weight**

- 50cm 10.0kg
- 40cm 6.0kg
- Division 8.0kg

**Colours**

40cm available in White only;  
50cm available in White, Chablis or Honey Moon.  
Representations of colours available appear in Section 3, Colours



	A	BI	F	G	J	L	M	MI
500mm size	390	305	350	120	500	100	280	205
400mm size	300	250	265	100	400	85	205	170

Urinals for junior use should be set at 510mm from floor to lip of bowl



urinals

# deveron

Floor standing single piece slab urinal in stainless steel with raised integral channel and hinged access panel for above floor waste plumbing.

Available with wall ends or free ends or a combination of the two and with exposed or concealed flushpipes.

Two or more urinals may be fitted together on the same wall using stainless steel cover strips.

- *Stainless steel*
- *Exposed or concealed flushpipes*
- *Above floor drainage*

urinals



### Illustrated

**S6140 (551015P)**  
Deveron urinal with back inlet spreaders or exposed sparge pipes with downpipe and divisions as required, up to 120cm long with 2in BSP domed strainer waste

**Material**  
Stainless steel

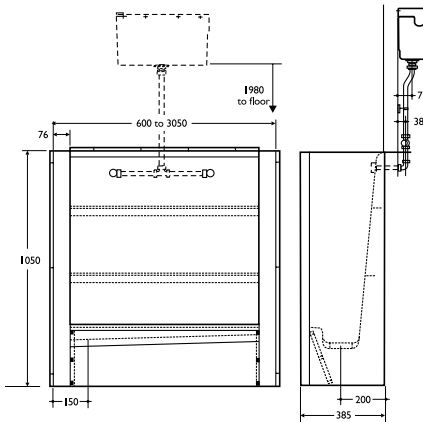
**Weight**  
120cm 35.0kg  
180cm 45.0kg  
240cm 55.0kg  
305cm 65.0kg

### Standards

Stainless steel conforms to BS 1449: part 2: 1983  
Urinals to BS 4880: 1973

### Special notes

When ordering, state overall length of urinal, whether ends for wall fixing or free standing and proposed outlet position(s). Specify if earthing tag required. Urinals on 2 or more walls are not available as a 1 piece construction and are joined using stainless steel corner plinths.



Channel outlet positions  
Up to 600mm - outlet central  
601 to 3050mm - outlet at either end

### Options

- S6141 (551025P)**  
Deveron urinal up to 180cm long
- S6143 (551035P)**  
Deveron urinal up to 240cm long
- S6144 (551045P)**  
Deveron urinal up to 305cm long
- S6135 (5535100)**  
corner plinth
- S6134 (5536100)**  
cover strip to join urinals



## urinals Kinloch

This economically priced trough urinal in stainless steel is available in 4 standard sizes, 120cm, 180cm, 240cm and 305cm.

Bespoke specifications can be made to customer requirements from 60cm to 305cm.

- *Stainless steel*
- *Four sizes*
- *Bespoke sizes available*
- *Cost effective*



### Illustrated

**S6166 (55081RE)**  
Kinloch urinal 120cm long complete with domed strainer waste, concealed pipework, and plastic automatic cistern. Right hand outlet

**Material**  
Stainless steel

**Weight**  
120cm 24.0kg  
180cm 31.0kg  
240cm 40.5kg  
305cm 47.0kg

**Standards**  
Made from 18 gauge sheet conforming to BS 1449, part 2, 1983

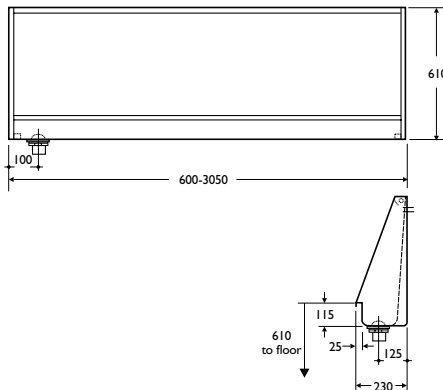
**Options**  
**Exposed pipework**  
**S6155 (55081RF)**  
120cm, RH outlet  
**S6156 (55081LF)**  
120cm, LH outlet  
**S6157 (55082RF)**  
180cm, RH outlet  
**S6158 (55082LF)**  
180cm, LH outlet  
**S6159 (55083RF)**  
240cm, RH outlet  
**S6163 (55083LF)**  
240cm, LH outlet  
**S6164 (55084RF)**  
305cm, RH outlet  
**S6165 (55084LF)**  
305cm, LH outlet

### Concealed pipework

**S6167 (55081LE)**  
120cm, LH outlet  
**S6168 (55082RE)**  
180cm, RH outlet  
**S6169 (55082LE)**  
180cm, LH outlet  
**S6170 (55083RE)**  
240cm, RH outlet  
**S6173 (55083LE)**  
240cm, LH outlet  
**S6174 (55084RE)**  
305cm, RH outlet  
**S6175 (55084LE)**  
305cm, LH outlet

**Bespoke orders**  
**S6150 (55081SP)**  
up to 120cm;  
**S6151 (55082SP)**  
up to 180cm;  
**S6152 (55083SP)**  
up to 240cm;  
**S6153 (55084SP)**  
up to 305cm  
Specify outlet position and exposed or concealed pipework

**Special notes**  
Urinals on 2 or more walls can be joined using **S6176 (5540100)** stainless steel corner plinth





urinals  
**tay**

Wall urinal in polished stainless steel, suitable for exposed or concealed plumbing.

urinals

- Wall urinal
- Stainless steel
- Anti vandal applications



**Illustrated**

**S6146 (550609E)** Tay wall urinal 38cm, back inlet with spreader and screw to wall fixing  
**S8850 (90568N0)** 1 1/2in plastic domed waste  
**S8915 (70238Q4)** 1 1/2in plastic bottle trap with 75mm seal and multi-purpose outlet

**Material**

Stainless steel

**Weight**

Urinal 9.0kg

**Standards**

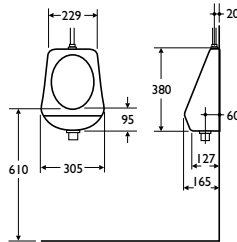
Stainless steel sheet conforms to BS 1449: Part 2: 1983

**Options**

**S6145 (550609F)** Tay urinal with top inlet  
**S8770 (71228V2)** 1 1/2in brass strainer waste with stainless steel dome

**Special notes**

Specify if earthing tag is required



urinals  
**unisteel**

Sealed one piece construction with integral channel, for easier, drip free installations. Lightweight, suitable for use in multi-storey buildings. Vandal resistant, cannot crack or burn.

Available with wall ends for recess, two free ends or a combination of the two, with or without divisions.

Up to 420cm maximum length in one piece and two or more urinals may be fitted together on the same wall using stainless steel cover strips.

- Slab urinal in stainless steel
- Anti vandal applications
- Up to 420cm lengths
- Exposed or concealed flushpipes
- One piece construction

urinals



**Illustrated**

**S6125 (55001SP)**  
Unisteel slab urinal with free ends, back inlet spreaders or exposed sparge pipes with downpipe and divisions as required up to 120cm long with domed strainer waste

**Material**  
Stainless steel

**Weight**  
120cm 30.0kg  
180cm 40.0kg  
240cm 50.0kg  
305cm 65.0kg  
420cm 90.0kg

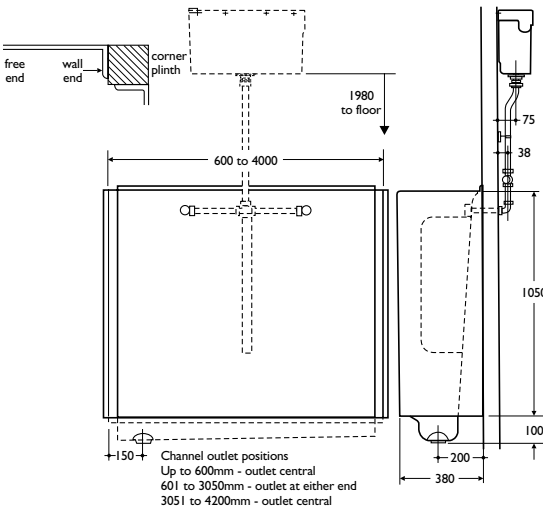
**Standards**  
Stainless steel conforms to BS 1449: Part 2: 1983; urinal to BS 4880: 1973

**Options**

**S6126 (55002SP)**  
up to 180cm  
**S6127 (55003SP)**  
up to 240cm  
**S6128 (55004SP)**  
up to 305cm  
**S6129 (55005SP)**  
up to 420cm  
**S6135 (5535100)**  
corner plinth  
**S6134 (5536100)**  
cover strip to join separate urinals

**Special notes**

State proposed outlet position(s) and whether ends for wall fixing or free standing. Specify if earthing tag required.  
Urinals on two or more walls are not available as a one piece construction and are joined using stainless steel corner plinths



urinals  
**nairn**

Traditional fireclay slab urinal designed to suit varying site requirements including fitting to 2 or more adjacent walls.

Available with exposed or concealed flushpipes, with or without divisions.

- Slab urinal in fireclay
- Traditional style
- Optional divisions



**Illustrated**

**S6180** (3605200)  
Nairn slab urinal for exposed sparge pipes with graded channel and domed strainer waste  
**S6188** (3606200) right or left hand return end  
**S6260** (36132B4) Vitred fluted treads  
**S6280** (7691000)  
Imperva waterproof jointing compound

**Material**

Fireclay

**Weight**

61cm slab 56.0kg  
Return end 26.0kg  
Division 12.7kg

**Colours**

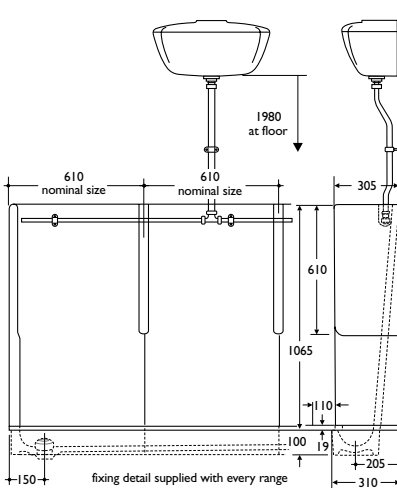
Available in White only.  
Treads in black only

**Options**

**S6181** (360529E)  
Nairn back slab for back inlet spreaders  
**S6186** (3607000)  
slotted division for sparge pipes  
**S6185** (36070B2)  
plain division for back inlet spreaders

**Special notes**

Graded channels and strainer waste inclusive. When ordering, state overall length of urinal range and give full information with proposed outlet position(s), glazing of return ends and detailed sketch



Urinals

# auto cisterns

Mura vitreous china auto cisterns are designed in one piece with integral cover for easy cleaning and hygiene. Optional lid for access hole if required.

- Urinal cisterns
- Vitreous china
- Optional access hole lid

urinals



**Illustrated**

**S6202 (17543WE)** Mura  
13.6 litre auto cistern  
with auto syphon,  
petcock and supports

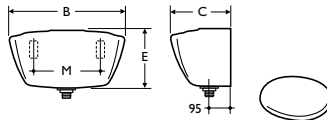
**Material**  
Vitreous china

**Weight**  
4.5 litre 9.0kg  
9.0 litre 11.0kg  
13.6 litre 14.0kg

**Colours**  
Available in White,  
Chablis or Honey Moon.  
Representations of  
colours available appear  
in Section 3, Colours

**Standards**  
Vitreous china to  
BS 3402  
Cisterns to BS 1876

**Options**  
**S6200 (17541WE)**  
4.5 litre  
**S6201 (17542WE)**  
9.0 litre  
**S6204 (C01EM01)**  
access lid



	B	C	E	M
4.5 litres	315	235	255	105
9.0 litres	460	265	265	200
13.6 litres	550	265	280	315

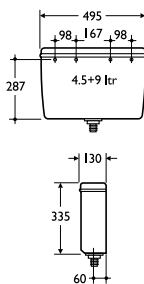
## urinals auto cisterns

Urinal cisterns in plastic.

Regal is a slim line cistern for exposed installations.

Conceala is suitable for fixing on front or back wall of duct.

- Plastic urinal cisterns
- Regal slim line
- Conceala duct fixed
- Three capacities



- Slim auto cistern
- Three capacities

### Illustrated

S6211 (4233200)

Regal 9.0 litre auto cistern & cover, auto syphon and petcock

### Material

Plastic

### Weight

4.5 litre 4.0kg  
9.0 litre 4.0kg  
13.6 litre 4.5kg

### Colours

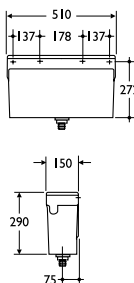
Available in White only

### Standards

Cisterns to BS 1876

### Options

S6210 (4233100)  
4.5 litre  
S6212 (4241300)  
13.6 litre



- Concealed auto cistern
- For duct fixing

### Illustrated

S6216 (4225200)

Conceala 9.0 litre auto cistern & cover, auto syphon and petcock

### Material

Plastic

### Weight

4.5 litre 4.0kg  
9.0 litre 4.0kg  
13.6 litre 4.0kg

### Colours

Self-colour only

### Standards

Cisterns to BS 1876

### Options

S6215 (4225100)  
4.5 litre  
S6217 (4225300)  
13.6 litre



urinals

# treads • risers • wastes

Vitred treads are available plain or fluted and are extremely hard wearing. They are also completely impervious with a slip resistant matt surface.

Fireclay risers provide the finishing touch for raised urinal approaches.

- Vitred treads
- Plain or fluted
- Fireclay risers
- Urinal wastes
- Imperva jointing compound



- Vitred treads
- Plain or fluted

**Illustrated**

**S6260** (36132B4 SC)  
Vitred fluted tread  
15cm x 15cm x 2cm

**Weight**

Tread 1.0 kg per 15cm

**Colours**

Available in Black

**Options**

**S6261** (3613200 SC)  
Vitred plain tread,  
15cm x 15cm x 2cm



- Fireclay risers
- 5cm high

**Illustrated**

**S6275** (3612000 WW)  
front, 61cm x  
13cm x 5cm  
**S6276** (36120H3 WW)  
left hand end, 31cm x  
13cm x 5cm

**Material**

Fireclay

**Weight**

Front riser 12.70kg  
per 61cm  
End riser 6.35kg per  
31cm

**Colours**

Available in White

**Options**

**S6277** (36120H4 WW)  
right hand end,  
31cm x 13cm x 5cm



**S8811**



**S8850**



**S8915**



**S8770**

**Illustrated**

**S881101** (90297N0WW)  
1 1/2in plastic strainer  
waste, 50mm unslotted  
tail; **S885067**  
(90568N0SC) 1 1/2in  
plastic domed strainer  
waste, 45mm unslotted  
tail; **S8770MY**  
(71228V2PO) 1 1/2in brass  
strainer waste with

- Wastes
- Plastic bottle traps

stainless steel dome,  
45mm unslotted tail;  
**S8756AA** (7009B00CP)  
chrome plated, strainer  
waste with hinged dome  
**Traps**  
Plastic bottle trap  
with 75mm seal and  
multi-purpose outlet  
suitable for plastic and  
BS copper pipe

- Imperva

**S891067** (70237Q4SC)  
1 1/4in;  
**S891567** (70238Q4SC)  
1 1/2in  
**Imperva**  
**S628067** (7691000SC)  
Imperva waterproof  
jointing compound, 1kg  
is sufficient for 2.4m  
of slab urinal

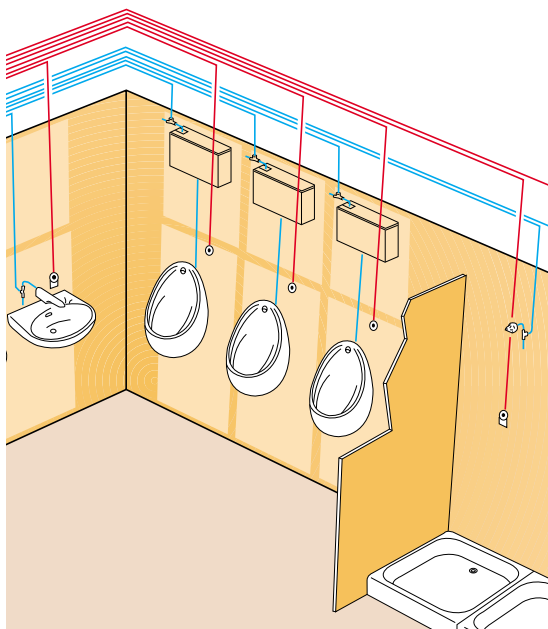
urinals

# sensorflow

Sensorflow electronic flushing control system manages economic delivery of water to urinals. Infrared sensors detect usage and initiate flushing.

- Water saving
- Economic
- Safe 12 volt supply
- Manages up to 10 urinals

urinals



### Illustrated

**S8116 (7889002)**  
Surface mounted urinal sensor, complete with solenoid, combined servicing valve and filter, float switch with cable.

**S8115 (7888002)** Panel mounted urinal sensor complete with solenoid servicing valve and filter, float switch with cable.

**S6215 (4225100)** Conceala plastic automatic cistern 4.5 litre.

**S6200 (17541WE)** Mura vitreous china automatic cistern 4.5 litre. (For exposed applications).

**S8100 (7963002)** Programmable control unit, heavy duty, to operate up to 10 sensors.

Note: Float switch not used for exposed applications.

### How does the system work?

The sensor positioned above the urinal detects usage. There is then the option of choosing the type and frequency of the flush. The frequency of the flush can be following every visit or every 30 minutes (assuming the urinal has been used, i.e. sensor activated for a minimum of 6 seconds). Method of flush can be via a conventional automatic cistern, storage cistern or mains supply. Flushing using an automatic cistern dispenses 4.5 litres every flush. When flushing from storage or mains a timed flow of water is selected. Note: The product can be installed in full compliance with UK Water Regulations



urinals

# sensorflow solo

An electronic water control system for use with a single outlet.

Chrome plated and supplied complete with all necessary components

- Water saving
- Cost saving
- Hygenic
- Easy clean
- Energy saving



#### Illustrated

**S8147AA** Sensorflow Solo urinal control for panel mounting with integral proximity sensor

#### Options

**S8146AA** Sensorflow Solo urinal control for surface mounting with integral proximity sensor

#### Special notes

All controls supplied complete with individual solenoid valve, flexible inlet tail and combined servicing valve. Solenoid valves are designed to operate direct from mains or stored supplies and a minimum water head of 2 metres must be available at the solenoid valve.

A pipe interrupter may be required if operating direct from mains

#### Modes of operation

Sensors detect users who have been in the sensing range for at least ten seconds. This to prevent 'walk by' activation. The solenoid valve is then opened for ten seconds. If no valid user' signal is detected during a 24 hour period, a ten second 'hygiene' flush occurs.

