



flush fitting ironmongery

flush fitting
ironmongery



**Leaderflush
Shapland**

LOCKS AND FLUSH BOLTS



flush fitting ironmongery

contents

Contents

An introduction	P. 03
Complete doorset solutions	P. 04
Flush Bolts	P. 05
Lock Cases	P. 06-07





flush fitting ironmongery

an introduction

over many years, Leaderflush Shapland has built up an enviable reputation for technical expertise, quality products and the best in customer service

By concentrating on designing and manufacturing fully engineered solutions, delivered straight to site, we have become the market leader for bespoke doors and doorsets.

These same principles have been applied to our range of flush fitting ironmongery which offers a real choice of quality items at competitive prices and can be factory-installed as an integral part of our doorsets. As a result, quotations are supplied with two prices, one for doorsets only and a second for all appropriate flush fitting ironmongery.

Having mortice lock cases, strike plates and flush bolts supplied and pre-installed by Leaderflush Shapland, gives you a number of significant benefits including:

- No site work – saving time, cost and labour
- Machined preparation for consistently accurate installation
- BWF - CERTIFIRE approved – giving peace of mind
- Delivery of complete doorsets, with supply-chain efficiencies
- Expertise in all aspects of doorsets from a single, leading supplier





flush fitting ironmongery

complete doorset solutions

Leaderflush Shapland doorsets are designed as complete engineered units to meet specific performance requirements and are manufactured to exacting standards from established components

Recent independent research clearly demonstrates that, when compared with traditional door assemblies, doorsets can save up to half the initial capital cost through reductions in assembly and installation times.

The option of including flush fitting ironmongery is the next logical step towards providing the complete doorset solution and, by minimising on-site intervention, will give confidence to both architects and contractors.

Leaderflush Shapland is now also able to offer a complete architectural hardware solution enabling you to specify all your doorset and ironmongery requirements from one convenient source. A dedicated technical team has been set up to help specifiers and architects with all their ironmongery requirements.

For further information please contact the Architectural Hardware Department on 01773 530500 or email: enquiries@leaderflushshapland.co.uk.



flush fitting ironmongery

flush bolts

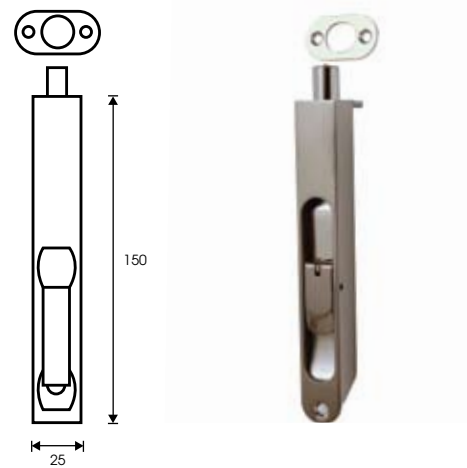
a choice of two finishes and lengths

For ease of use, flush bolts have a 16mm semi automatic throw/retraction of the bolt which also ensures positive security. A chamfered bolt-head facilitates easy keep and socket penetration, while the parallel bolt action guarantees long term functional integrity.

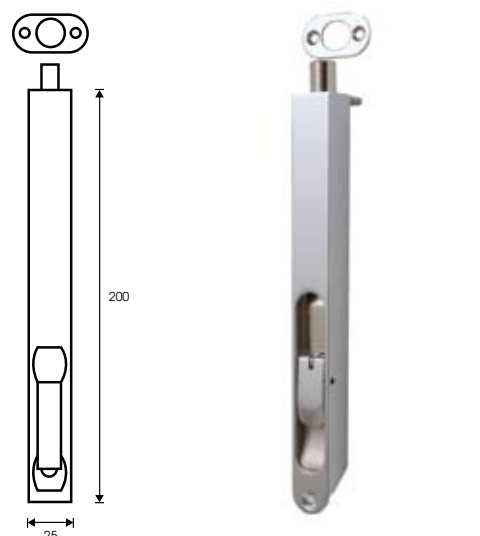
Note: All dimensions shown are in millimetres, unless otherwise stated.



Flush Bolt in SS finish. 150 and 200mm



Flush Bolt in SAA finish. 150 and 200mm



flush fitting ironmongery

lock cases

our ironmongery range is manufactured from high-grade materials in a choice of satin stainless steel or brass finishes

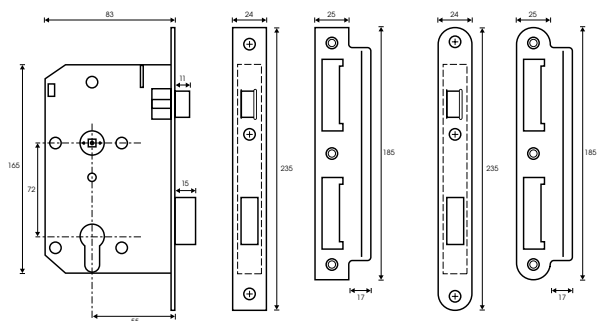
The range consists of latch, sashlock, deadlock, panic escape sashlock, nightlatch and bathroom lock functions supporting most leading brands of levers. Locks have silent action, guided latch-bolts and sealed, galvanised lock cases.

The 72mm centres (78mm for bathroom function) meet the requirements of BS8300. A single modular mortice size accommodates all functions.

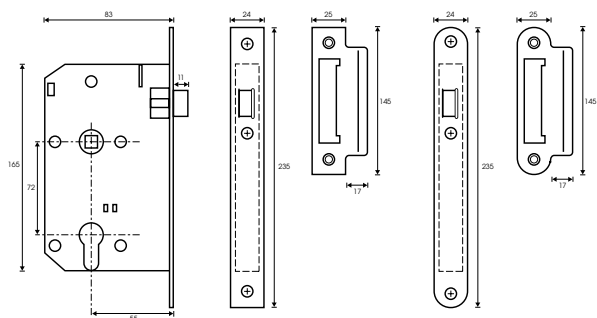
The range is designed to meet the draft European standard, of pr EN 12209 with the dimensional criteria of DIN 18251.

Note: All dimensions shown are in millimetres, unless otherwise stated.

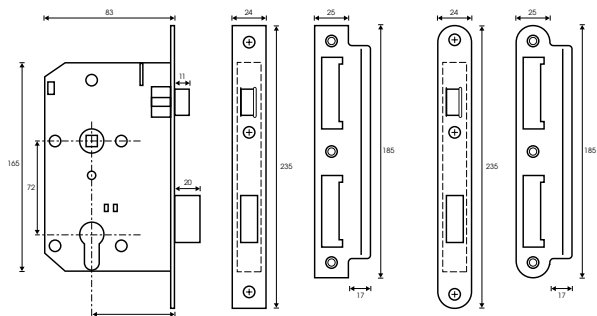
Escape Lock



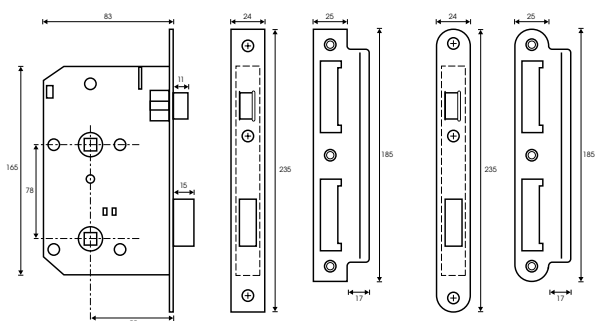
Mortice Latch



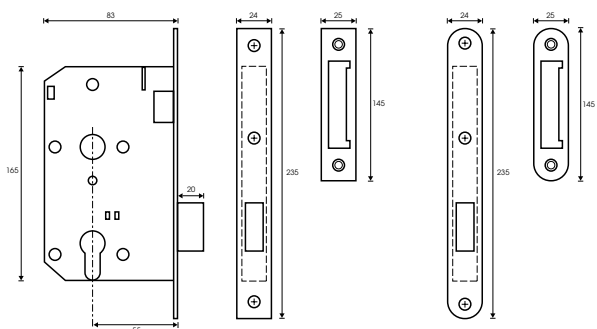
Sash Locks



Bathroom Lock



Deadlock





www.leaderflushshapland.co.uk

Head Office
Milnhay Road
Langley Mill
Nottingham
NG16 4AZ

† 01773 530500
f 01773 530040
e enquiries@leaderflushshapland.co.uk
w www.leaderflushshapland.co.uk
Leaderflush+Shapland Ltd. Registered in England No. 1223374



FM 01354



Leaderflush Shapland

The future of performance doorsets

Leaderflush+Shapland Ltd reserve the right to change any product specification, design or description without prior notice. No responsibility or liability can be accepted for any loss or damage arising from any error or omission contained in this leaflet.