



first direct arena

FASERFIX KS

Drainage channels for commercial and public areas - medium / heavy duty applications - up to load class F900kN



Contents

Product range		Loading category	Page
FASERFIX KS	Overview + HYDRAULIC PERFORMANCE Technical Support		3
	Features & Benefits		4-5
	Applications		6-7
FASERFIX KS 100	Level invert channels	Class F900	8
	Built-in fall channels	Class F900	9
	Slotted & Longitudinal slot gratings GUGI Polyamide grating & Mesh gratings	Class A15 Class B125	10
	FIBRETEC Composite, Ductile iron, Mesh gratings. Reinforced slotted, Longitudinal ductile iron gratings. Perforated galvanized & stainless steel gratings	Class C250	11
	Ductile iron & Longitudinal ductile iron gratings. METROPOLIS gratings	Class D400	12
	GUGI & Ductile iron gratings, Mesh gratings. Ductile iron solid cover. Ductile iron grating	Class E600 Class E600 Class F900	13
	Accessories - Trash boxes (also End caps)	Class F900	14
	Further accessories - connectors etc	N/A	15
FASERFIX KS 150	Level invert channels	Class F900	16
	Built-in fall channels	Class F900	17
	FIBRETEC composite grating. Ductile iron, Mesh gratings - galvanized & stainless steel	Class B125 Class C250	18
	GUGI & Ductile iron gratings, Longitudinal ductile iron - galvanized & KTL.	Class D400 Class D400	19
	GUGI & Ductile iron gratings, Mesh gratings. Ductile iron solid cover. Ductile iron gratings.	Class E600 Class E600 Class F900	20
	Accessories - Trash boxes (also End caps)	Class F900	21
	Further accessories - connectors etc	N/A	22
FASERFIX KS 200	Level invert channels	Class F900	23
	Built-in fall channels	Class F900	24
	FIBRETEC composite grating. Ductile iron, Mesh gratings - galvanized & stainless steel	Class B125 Class C250	25
	G-TEC ductile iron & Longitudinal ductile iron Ductile iron gratings. GUGI ductile iron gratings, Mesh gratings. Ductile iron solid cover	Class D400 Class D400 Class E600 Class E600	26
	Ductile iron gratings.	Class F900	27
	Accessories - Trash boxes (also End caps)	Class F900	28
	Further accessories - connectors etc	N/A	29
FASERFIX KS 300	Level invert channel	Class F900	30
	G-TEC ductile iron & Longitudinal ductile iron gratings. Ductile iron gratings. GUGI ductile iron gratings.	Class D400 Class D400 Class E600	31
	Accessories - Trash box (also End caps)	Class F900	32
	Further accessories - connectors etc	N/A	33
	Metropolis grating application		34-35

FASERFIX®KS

Efficient drainage channels for commercial and public areas.

1 Requirements

Drainage channels for commercial and public areas:

- to withstand daily traffic by cars and trucks
- various grating designs available
- simple and safe installation in all surfaces
- correspond to EN 1433

2 Application areas

- public and commercial areas
- squares and parks
- railway stations
- parking lots and car ports

3 Solutions

FASERFIX KS channels offer solutions for most types of application in public and commercial areas:

- channels made from Fibre Reinforced Concrete (FRC)
- high stability
- bolt-less locking system SIDE-LOCK with additional bar and bolt fixing used in heavily trafficked areas
- corrosion-resistant galvanized or stainless steel 20mm deep angle housing

A selection of Hydraulic Performance tables for the most popular sizes of FASERFIX® and RECYFIX® channels including the RECYFIX® MONOTEC and RECYFIX® HICAP® ranges are available on request in an 8 page hard copy or PDF publication.

Hauraton channel drainage configurations are designed and sized using in-house **Hydraulic design software**. The accuracy of the software has been verified by physical testing of Hauraton systems within a hydraulic discharge test flume, replicating and evaluating hundreds of flow scenarios.

Hydraulic design software is also available free of charge to industry professionals. Intuitive and user friendly, **Hauraton Design Software** allows engineers to create drainage schemes for the company's range of civil engineering systems on tablets, desktop computers or through the internet (web-based application).

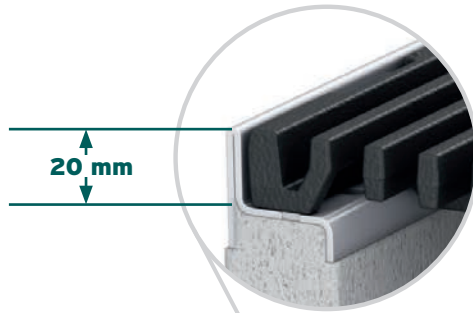
For smaller projects where a quick indication of the appropriate channel size and system is required for a given catchment area, Hauraton can provide their **Hydraulic Design App**.

For further details contact the Hauraton Technical Support Team



FASERFIX®KS channels

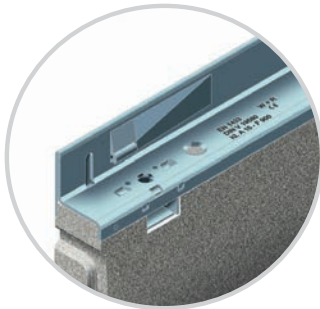
Features & Benefits



Galvanised or S/S angle housing

- 20 mm deep angle housing and grating
- angle housing permanently anchored into concrete during moulding process
- 8-point SIDE-LOCK (see below) plus additional bar & bolt fixing where necessary = 10 point locking system. Bar bolt fixing needed for all heavy duty applications
- anti shunt feature

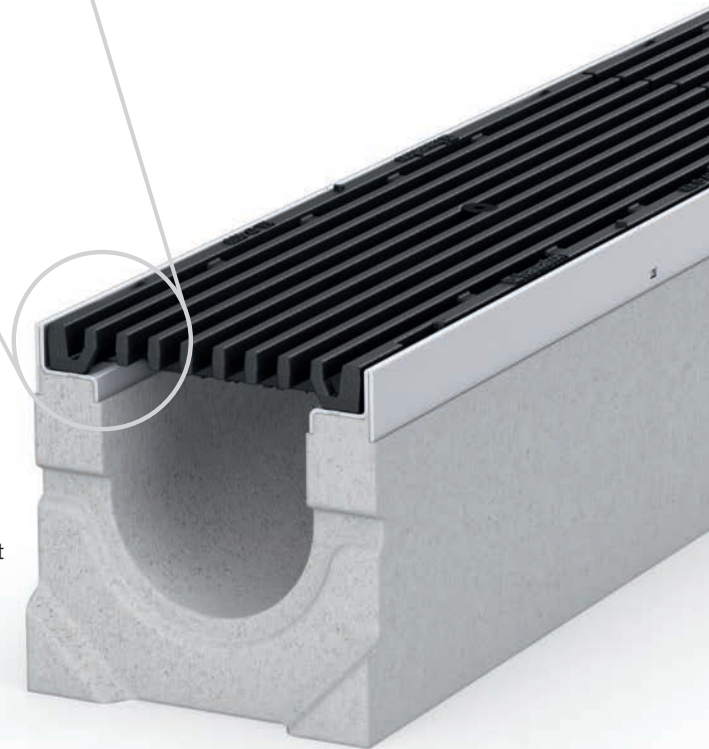
= Security / Cost reduction



SIDE-LOCK

- SIDE-LOCK boltless locking system plus optional bar & bolt fixing where necessary
- SIDE-LOCK provides 90% time savings when fixing the grating and allows easy replacement of grating components without any special tool.

= Security





KTL corrosion resistant finish

Where it is desirable to prevent oxidisation on ductile iron gratings and maintain the original black appearance, then a KTL corrosion resistant barrier can be specified. Usually KTL is only needed when the gratings are occasionally trafficked or they are in a pedestrian area.

Test results for corrosion and wear resistance are available on request.

= Maintained appearance

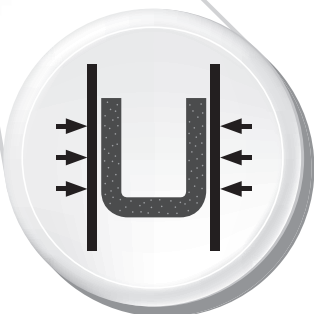


High stability

- FASERFIX KS channels are ideal for public areas up to class F 900*
- maximum stability: side walls of 30 mm thickness
- high-grade angle housings

= Security

* where high lateral forces are expected then Hauraton recommend FASERFIX SUPER Channels



High-tech material

- centralised production = one quality control system
- Fibre Reinforced Concrete (FRC) gives optimum strength
- FRC adheres well to foundation concrete
- one channel for all loading class up to F900
- Fire resistance - A1 (non flammable according to DIN 4102)

= Security

FASERFIX®KS Applications

Efficient drainage channels for commercial and public sectors.

FASERFIX KS channels meet the requirements of DIN EN 1433 and are suitable for the following load categories:



Category A 15,
Load class 15 kN



Category B 125,
Load class 125 kN



Category C 250,
Load class 250 kN



Category D 400,
Load class 400 kN



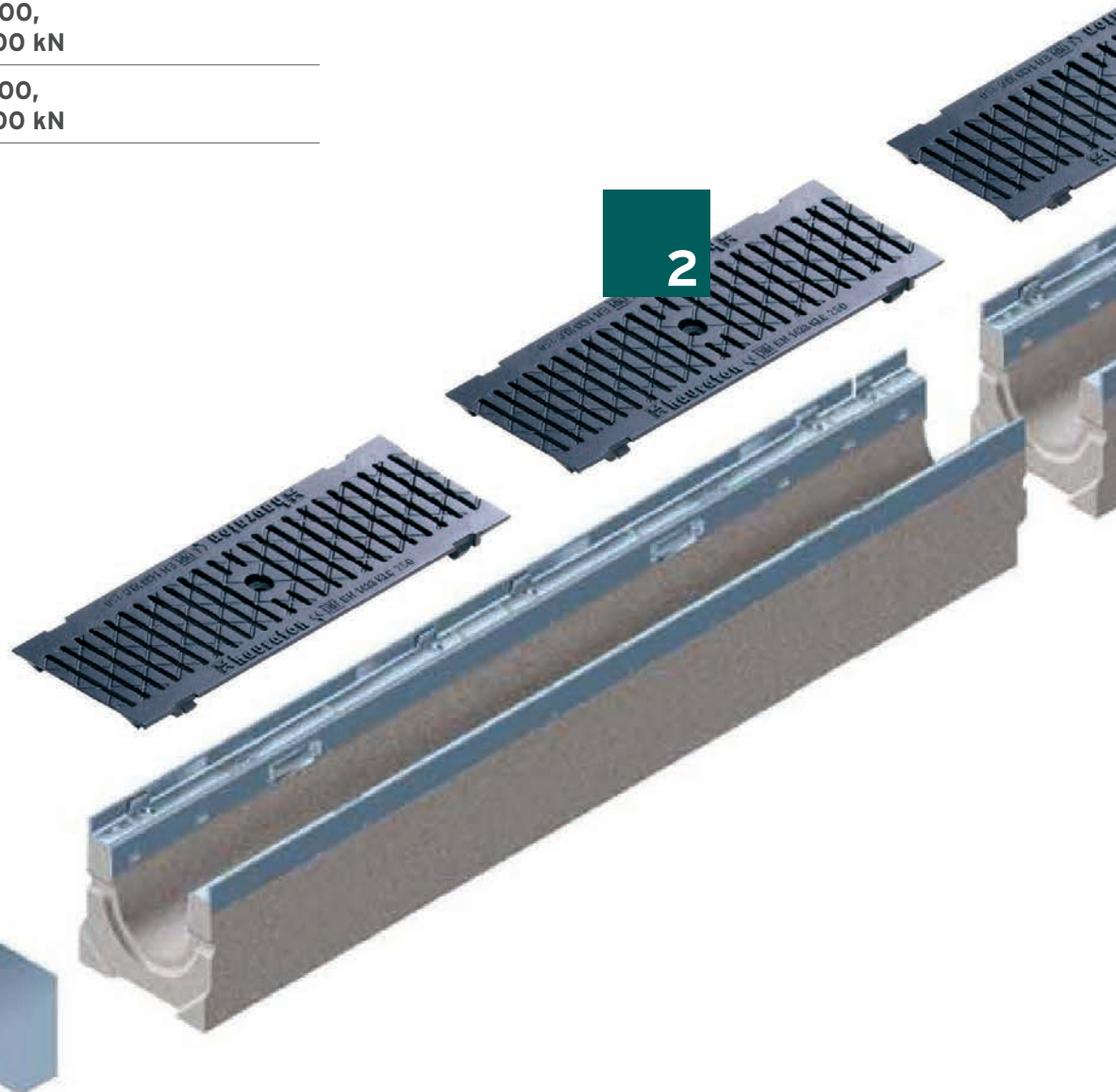
Category E 600,
Load class 600 kN

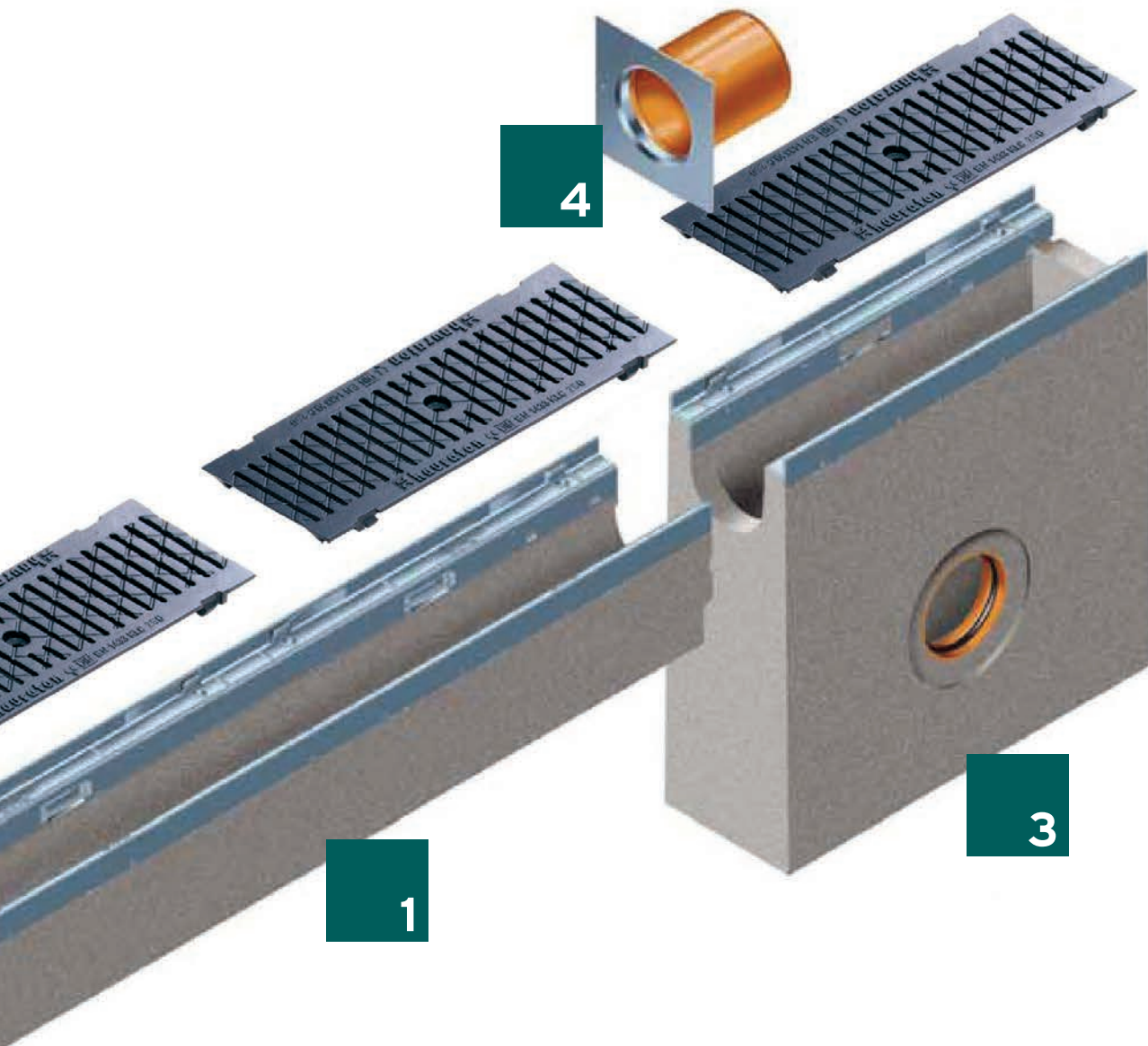


Category F 900,
Load class 900 kN

4

2





1

Fibre-reinforced concrete channels to DIN V 19580/EN 1433, CE-compliant, with safety joint, steel frame and SIDE-LOCK boltless locking mechanism as well as tongue and groove for exact installation

2

Numerous grating options

3

Trash box with drainage connection options on 3 sides

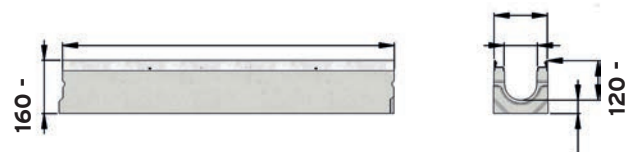
4

End caps with and without outlets

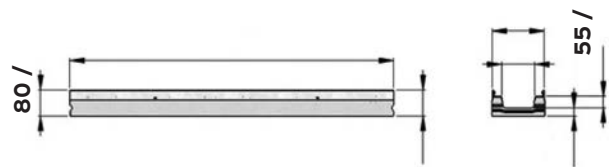
FASERFIX®KS 100

Channels

FASERFIX®KS 100 level invert channels up to load class F 900



Types 80 / 80L / 100 / 100L

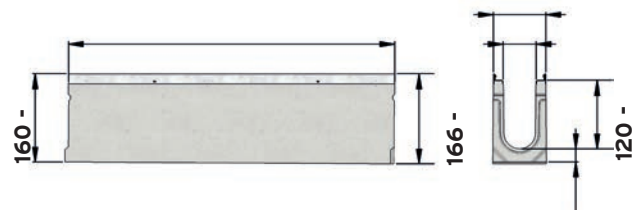


	Length mm	Width mm	Height mm	Invert mm	Drainage cross-sect. cm ⁺	Weight kg	Item-No. galvanised	Item-No. stainless steel
Type 01	1000	160	160	120	88	33,0	8000	8200
Type 0105	500	160	160	120	88	16,5	8049	8249
Type 01L with hole DN 100	1000	160	160	120	88	32,2	8045	-
Type 05	1000	160	184	144	113	36,3	8041	-
Type 05L with hole, DN 100	1000	160	184	144	113	37,0	8035	-
Type 010	1000	160	214	174	143	40,2	8042	8242
Type 01005	500	160	214	174	143	21,5	8050	-
Type 010L with hole DN 100	1000	160	214	174	143	39,0	8046	-
Type 015	1000	160	244	204	173	45,3	8043	8243
Type 015L with hole, DN 100	1000	160	244	204	173	45,0	8036	-
Type 020	1000	160	274	234	206	49,0	8044	8244
Type 020L with hole, DN 100	1000	160	274	234	206	48,0	8037	-
Type 80 (Flat bottomed)	1000	160	80	55	34	16,0	1106	1706
Type 80L, with hole DN 100 (Flat bottomed)	1000	160	80	55	34	15,3	1137	-
Type 100F (Flat bottomed)	1000	160	100	75	54	19,2	1108	1708
Type 100L, with hole DN 100 (Flat bottomed)	1000	160	100	75	54	18,6	1138	-

The quality of stainless steel material corresponds to CNS 1.4301.

FASERFIX®KS 100

FASERFIX®KS 100 with built-in fall 0,6 %, up to load class F 900



	Length mm	Width mm	Height mm	Invert mm	Drainage cross-sect. cm ²	Weight kg	Item-No. galvanised	Item-No. stainless steel
Type 1	1000	160	160 - 166	120-126	89	33,0	8001	8201
Type 2	1000	160	166 - 172	126-132	95	34,1	8002	8202
Type 3	1000	160	172 - 178	132-138	101	34,7	8003	8203
Type 4	1000	160	178 - 184	138-144	107	35,6	8004	8204
Type 5	1000	160	184 - 190	144-150	113	36,8	8005	8205
Type 6	1000	160	190 - 196	150-156	119	37,2	8006	8206
Type 7	1000	160	196 - 202	156-162	125	37,9	8007	8207
Type 8	1000	160	202 - 208	162-168	131	38,9	8008	8208
Type 9	1000	160	208 - 214	168-174	137	39,5	8009	8209
Type 10	1000	160	214 - 220	174-180	143	40,0	8010	8210
Type 11	1000	160	220 - 226	180-186	149	42,2	8011	8211
Type 12	1000	160	226 - 232	186-192	155	43,5	8012	8212
Type 13	1000	160	232 - 238	192-198	161	44,0	8013	8213
Type 14	1000	160	238 - 244	198-204	167	45,0	8014	8214
Type 15	1000	160	244 - 250	204-210	173	45,0	8015	8215
Type 16	1000	160	250 - 256	210-216	179	45,5	8016	8216
Type 17	1000	160	256 - 262	216-222	185	46,8	8017	8217
Type 18	1000	160	262 - 268	222-228	191	47,7	8018	8218
Type 19	1000	160	268 - 274	228-234	197	48,0	8019	8219

The quality of stainless steel material corresponds to CNS 1.4301.

FASERFIX®KS 100

Gratings

FASERFIX®KS 100, class A 15



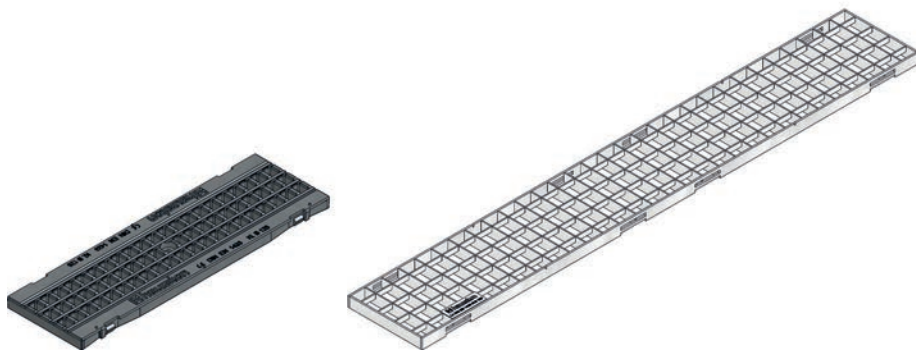
Slotted grating SW 10, galvanised

Longitudinal slot grating, SW 10, stainless steel

	Length mm	Width mm	Height mm	Intake cross-sect. cm ² /m	Weight kg	Item No.
Slotted grating SW 10, galvanised	1000	149	20	278	2,8	8161
Slotted grating SW 10, galvanised	500	149	20	278	1,3	8162
Slotted grating SW 10, stainless steel	1000	149	20	278	2,3	8163
Slotted grating SW 10, stainless steel	500	149	20	278	1,4	8164
Longitudinal slot grating, SW 10, stainless steel	1000	149	20	727	5,8	8590
Longitudinal slot grating, SW 10, stainless steel	500	149	20	727	2,9	8591

The quality of stainless steel material corresponds to CNS 1.4301.

FASERFIX®KS 100, class B 125



GUGI mesh grating MW 15/25, black, made of high-quality PA-GF (Polyamide)

Mesh grating MW 30/30, galvanised

	Length mm	Width mm	Height mm	Intake cross-sect. cm ² /m	Weight kg	Item No.
GUGI mesh grating MW 15/25, black, made of high-quality PA-GF (Polyamide)	500	149	20	426	0,9	8099
Mesh grating MW 30/10, galvanised	1000	149	20	716	4,0	8151
Mesh grating MW 30/10, galvanised	500	149	20	716	2,0	8152
Mesh grating MW 30/30, galvanised	1000	149	20	878	3,0	8077
Mesh grating MW 30/30, galvanised	500	149	20	869	1,5	8078

FASERFIX[®]KS 100

Gratings

FASERFIX[®]KS 100, class C 250



FIBRETEC slotted grating,
SW 9 mm, black

Mesh grating MW 30/10,
galvanised

Ductile iron grating SW 6
HEELSAFE black

	Length mm	Width mm	Height mm	Intake cross-sect. cm ² /m	Weight kg	Item No.
FIBRETEC slotted grating, SW 9 mm, HEELSAFE black see N.B.	500	149	20	372	1,1	8098
FIBRETEC design slotted grating in the colour Sand SW 9 mm	500	149	20	372	1,1	8100
FIBRETEC design slotted grating in the colour Fern SW 9 mm	500	149	20	372	1,1	8102
FIBRETEC design slotted grating in the colour Stone SW 9 mm	500	149	20	372	1,1	8101
Ductile iron grating, SW 14 mm, black	500	149	20	454	3,3	28064
Ductile iron grating, SW 14 mm, KTL	500	149	20	454	3,3	8864
Ductile iron grating, SW 6 mm, HEELSAFE black	500	149	20	280	3,4	28068
Ductile iron grating, SW 6 mm, HEELSAFE KTL	500	149	20	280	3,6	8868
Mesh grating MW 30/10, galvanised	1000	149	20	716	5,0	8154
Mesh grating MW 30/10, galvanised	500	149	20	716	2,6	8155
Mesh grating, MW 30/10, stainless steel	1000	149	20	776	5,2	28577
Mesh grating, MW 30/10, stainless steel	500	149	20	766	2,6	28578
Mesh grating MW 30/30, galvanised	1000	149	20	828	4,9	28073
Mesh grating MW 30/30, galvanised	500	149	20	819	2,5	28074
Reinforced slotted grating SW 10, HEELSAFE galvanised	1000	149	20	281	5,4	28167
Reinforced slotted grating SW 10, HEELSAFE galvanised	500	149	20	281	2,7	28168
Reinforced slotted grating SW 10, HEELSAFE stainless steel	1000	149	20	281	5,0	28169
Longitudinal ductile iron grating, bar distance 9 mm, HEELSAFE galvanised	500	149	20	528	3,7	8876
Longitudinal ductile iron grating, bar distance 9 mm, KTL	500	149	20	528	3,7	8875

The quality of stainless steel material corresponds to CNS 1.4301.

NB: Coloured FIBERTEC slotted gratings are also Fern, Sand and Stone. Details on request.

FASERFIX®KS 100

FASERFIX®KS 100, class D 400*



Ductile iron grating, SW 14, black



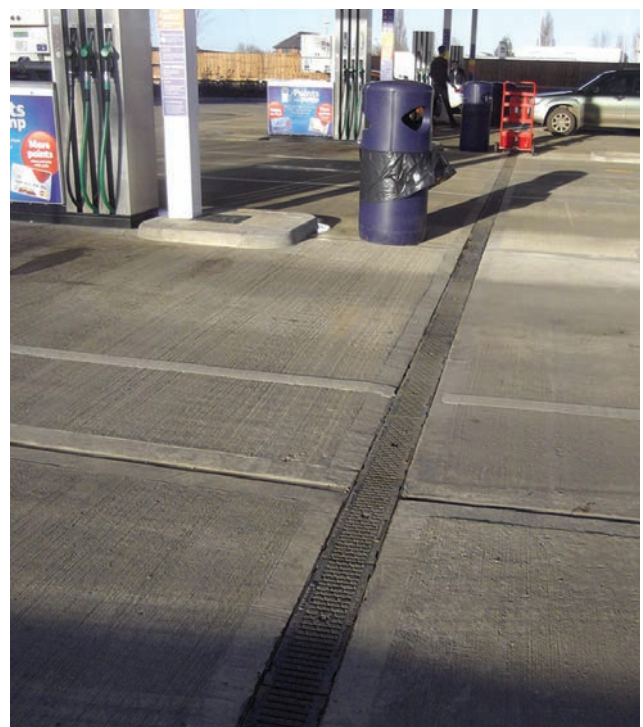
Ductile iron longitudinal grating, KTL



Ductile iron grating, METROPOLIS, black, KTL

	Length mm	Width mm	Height mm	Intake cross-sect. cm ² /m	Weight kg	Item No.
Ductile iron grating, SW 14, black	500	149	20	454	3,6	28063
Ductile iron grating, SW 14 mm, KTL	500	149	20	454	3,7	8863
Ductile iron longitudinal grating, KTL	500	149	20	528	4,2	8869
Ductile iron longitudinal grating, galvanised	500	149	20	528	4,2	8870
Ductile iron METROPOLIS grating, KTL coated	500	149	20	165	5.1	8871

* Not for use across the carriageway of highways or motorways in moving traffic.

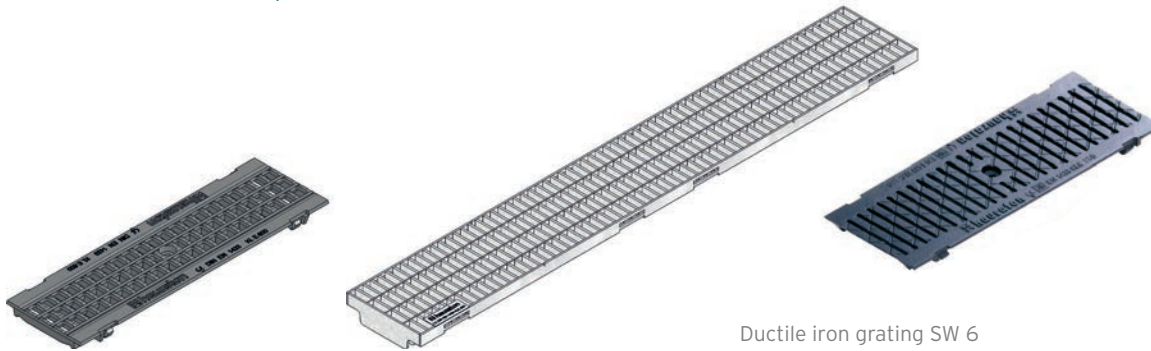


Tesco Petrol Station Kings Lynn Norfolk

FASERFIX®KS 100

Gratings

FASERFIX®KS 100, class E 600



GUGI-Ductile iron mesh grating MW 15/25, black

Mesh grating MW 11/30, galvanised

Ductile iron grating SW 6 HEELSAFE black

	Length mm	Width mm	Height mm	Intake cross-sect. cm ⁺ /m	Weight kg	Item No.
GUGI-Ductile iron mesh grating MW 15/25, black	500	149	20	426	4,0	28079
GUGI-Ductile iron mesh grating, MW 15/25, KTL	500	149	20	426	4,5	8879
GUGI-ductile iron mesh grating MW 15/25, galvanised	500	149	20	426	4,6	28080
Ductile iron grating SW 14 mm, black	500	149	20	454	4,0	28062
Ductile iron grating, SW 14 mm, KTL	500	149	20	454	4,2	8862
Ductile iron grating, SW 6mm, HEELSAFE black	500	149	20	280	4,1	28066
Ductile iron grating, SW 6 mm, HEELSAFE KTL	500	149	20	280	4,0	8866
Mesh grating MW 11/30, galvanised	1000	149	20	695	11,4	28071
Mesh grating MW 11/30, galvanised	500	149	20	695	4,0	28072
Mesh grating MW 11/30, stainless steel	1000	149	20	695	7,0	28571
Mesh grating MW 11/30, stainless steel	500	149	20	695	4,0	28572
Solid ductile iron cover, black	500	149	20	-	4,5	8262
Solid ductile iron cover, KTL	500	149	20	-	4,7	8962

The quality of stainless steel material corresponds to CNS 1.4301.

FASERFIX®KS 100, class F 900



Ductile iron grating SW 14, black

	Length mm	Width mm	Height mm	Intake cross-sect. cm ⁺ /m	Weight kg	Item No.
Ductile iron grating SW 14, black	500	149	20	454	4,5	28061

Please note where high lateral forces are expected then Hauraton recommend FASERFIX SUPER Channels. Where E600 & F900 grates are used Hauraton recommends using bar & bolts for extra safety.

FASERFIX®KS 100

Accessories

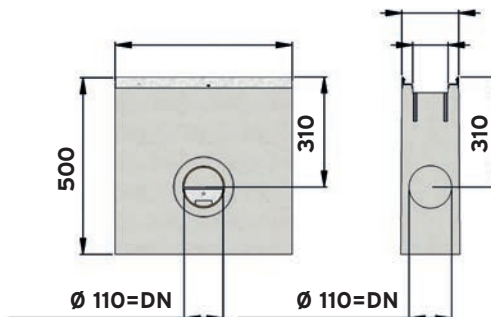
Trash boxes



Trash box with galvanised bucket



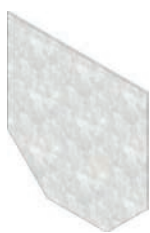
Trash box with UPVC-bucket



	Length mm	Width mm	Height mm	Weight kg	Item-No. galvanised	Item-No. stainless steel
Trash box with galvanised bucket	500	160	500	50,0	8053	-
Trash box with UPVC-bucket	500	160	500	47,7	8052	8252

The quality of stainless steel material corresponds to CNS 1.4301.

End caps



End cap closed, Type 01



End cap closed, Type 010

	Length mm	Width mm	Height mm	Weight kg	Item-No. galvanised	Item-No. stainless steel
End cap closed, Type 01	-	160	160	0,4	8081	8181
End cap closed, Type 010	-	160	214	0,5	8082	8182
End cap closed, Type 020	-	160	274	0,6	8083	8183
End cap closed, Type 80	-	160	80	0,2	1181	1681
End cap closed, Type 100F	-	160	100	0,2	1183	1683
End cap with horizontal UPVC-outlet DN 100, Type 010	-	160	214	0,6	8087	8186
End cap with horizontal UPVC-outlet DN 100, Type 020	-	160	274	0,7	8089	8187

The quality of stainless steel material corresponds to CNS 1.4301.

FASERFIX[®]KS 100

Further accessories



Foul air trap, horizontal, with rubber sealing, black



Foul air trap DN 100, outside



Mud bucket vertical DN 100, black

	Length mm	Width mm	Height mm	Weight kg	Item No.
Foul air trap, horizontal, with rubber sealing, black	-	-	-	0,1	966
Foul air trap DN 100 with hole	-	-	103	0,2	964
Foul air trap DN 100, outside	-	-	-	0,4	961
UPVC-outlet DN 100	-	-	-	0,2	903
PVC mud bucket for trash box, 50 cm	420	85	152	0,2	940
Mud bucket vertical DN 100, black	100	100	85	-	40293
Bar and bolt for KS 100 ductile iron grating	-	-	-	0,1	98210

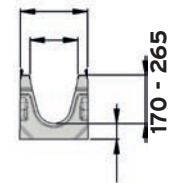
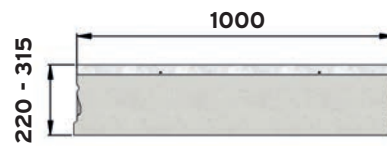
Note: Where a channel joint sealant is required then Hauraton recommend Primer Sikaflex 215



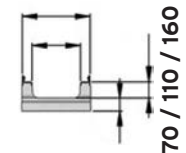
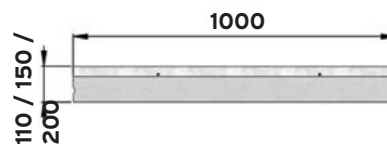
FASERFIX®KS 150

Channels

FASERFIX®KS 150 level invert channels up to class F 900



Type 110 / 150 / 200

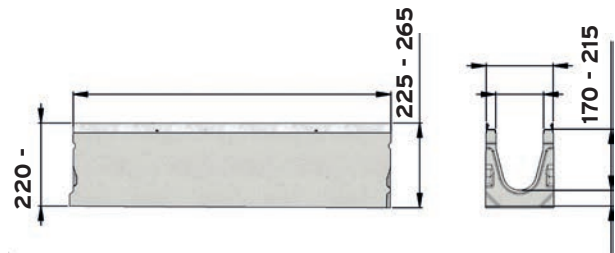


	Length mm	Width mm	Height mm	Invert mm	Drainage cross-sect. cm ⁺	Weight kg	Item-No. galvanised	Item-No. stainless steel
Type 01	1000	210	220	170	185	54,5	11000	11500
Type 01L, with hole DN 100	1000	210	220	170	185	54,0	11035	-
Type 0105	500	210	220	170	185	27,0	11049	-
Type 010	1000	210	265	215	245	60,2	11042	11542
Type 010L with hole, DN 100	1000	210	265	215	245	61,0	11036	-
Type 015	1000	210	290	240	282	66,0	11043	-
Type 020	1000	210	315	265	312	69,6	11044	11544
Type 020L, with opening DN 100	1000	210	315	265	312	68,0	11037	-
Type 110 (Flat bottomed)	1000	210	110	70	74	28,3	2121	2521
Type 150 (Flat bottomed)	1000	210	150	110	134	33,6	2122	-
Type 200 (Flat bottomed)	1000	210	200	160	208	40,0	2123	-

The quality of stainless steel material corresponds to CNS 1.4301.

FASERFIX®KS 150

FASERFIX®KS 150 with built-in fall 0,5 %, up to load class F 900



	Length mm	Width mm	Height mm	Invert mm	Drainage cross-sect. cm ²	Weight kg	Item-No. galvanised	Item-No. stainless steel
Type 1	1000	210	220 - 225	170-175	186	54,6	11001	11501
Type 2	1000	210	225 - 230	175-180	196	55,0	11002	11502
Type 3	1000	210	230 - 235	180-185	203	55,9	11003	11503
Type 4	1000	210	235 - 240	185-190	211	56,7	11004	11504
Type 5	1000	210	240 - 245	190-195	218	57,2	11005	11505
Type 6	1000	210	245 - 250	195-200	226	58,0	11006	11506
Type 7	1000	210	250 - 255	200-205	233	58,4	11007	11507
Type 8	1000	210	255 - 260	205-210	241	59,0	11008	11508
Type 9	1000	210	260 - 265	210-215	248	59,8	11009	11509



FASERFIX®KS 150

Gratings

FASERFIX®KS 150, class B 125



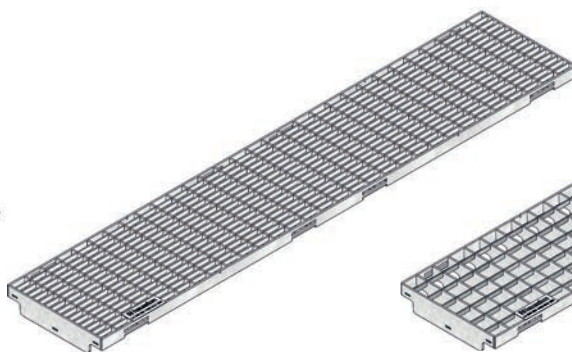
FIBRETEC Slotted grating,
SW 9 mm, HEELSAFE black

	Length mm	Width mm	Height mm	Intake cross-sect. cm ² /m	Weight kg	Item No.
FIBRETEC Slotted grating, SW 9 mm, HEELSAFE black	500	199	20	500	2,0	47170

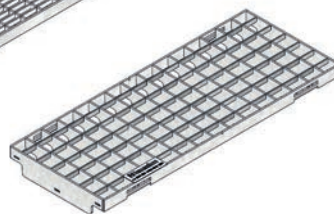
FASERFIX®KS 150, class C 250



Ductile iron grating SW 20, black



Mesh grating MW 30/10,
galvanised



Mesh grating MW 30/30,
galvanised

	Length mm	Width mm	Height mm	Intake cross-sect. cm ² /m	Weight kg	Item No.
Ductile iron grating SW 20, black	500	199	20	631	5,0	11064
Ductile iron grating, SW 20, KTL	500	199	20	631	5,3	11264
Mesh grating MW 30/10, galvanised	1000	199	20	1105	7,2	11075
Mesh grating MW 30/10, galvanised	500	199	20	1105	3,7	11076
Mesh grating MW 30/10, stainless steel	1000	199	20	1105	8,0	11575
Mesh grating MW 30/10, stainless steel	500	199	20	1105	4,0	11576
Mesh grating MW 30/30, galvanised	1000	199	20	1240	5,9	11073
Mesh grating MW 30/30, galvanised	500	199	20	1240	3,4	11074

The quality of stainless steel material corresponds to CNS 1.4301.

FASERFIX®KS 150

FASERFIX®KS 150, class D 400*



Ductile iron grating SW 18, black



Longitudinal ductile iron grating, KTL

	Length mm	Width mm	Height mm	Intake cross-sect. cm ² /m	Weight kg	Item No.
Ductile iron grating SW 18, black	500	199	20	553	5,3	11463
Ductile iron grating, SW 18, KTL	500	199	20	553	5,3	11563
Longitudinal ductile iron grating, galvanised	500	199	20	740	6,9	11369
Longitudinal ductile iron grating, KTL	500	199	20	740	6,9	11269

* Not for use across the carriageway of highways or motorways in moving traffic.



Fire Brigade Training Centre Car Park Moreton

FASERFIX®KS 150

Gratings

FASERFIX®KS 150, class E 600



GUGI-Ductile iron mesh grating MW 15/25, black



Ductile iron grating SW 9, black



Mesh grating MW 11/30, galvanised

	Length mm	Width mm	Height mm	Intake cross-sect. cm ² /m	Weight kg	Item No.
GUGI-Ductile iron mesh grating MW 15/25, black	500	199	20	716	6,8	11068
GUGI-Ductile iron mesh grating, MW 15/25, KTL	500	199	20	716	7,8	11268
Ductile iron grating SW 9mm, HEELSAFE black	500	199	20	557	6,7	11066
Ductile iron grating, SW 9 mm, HEELSAFE KTL	500	199	20	557	6,7	11266
Mesh grating MW 11/30, galvanised	1000	199	20	981	18,8	11071
Mesh grating MW 11/30 , galvanised	500	199	20	981	9,4	11072
Mesh grating MW 11/30, stainless steel	1000	199	20	981	21,0	11571
Mesh grating MW 11/30, stainless steel	500	199	20	981	11,0	11572
Solid ductile iron cover, black	500	199	20	-	6,9	11362

The quality of stainless steel material corresponds to CNS 1.4301.

FASERFIX®KS 150, class F 900



Ductile iron grating SW 20, black

	Length mm	Width mm	Height mm	Intake cross-sect. cm ² /m	Weight kg	Item No.
Ductile iron grating SW 20, black	500	199	20	626	7,8	11061
Ductile iron grating, SW 20, KTL	500	199	20	626	7,3	11261

Please note where high lateral forces are expected then Hauraton recommend FASERFIX SUPER Channels
Where E600 & F900 grates are used Hauraton recommends using bar & bolts for extra safety.

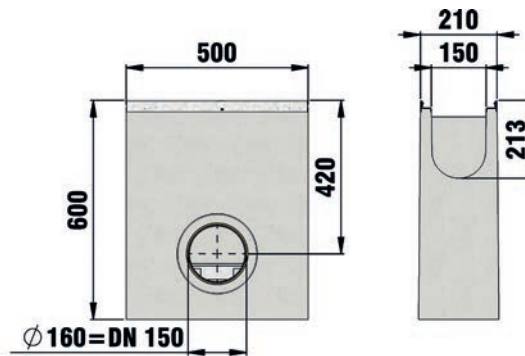
FASERFIX[®]KS 150

Accessories

Trash boxes



Trash box with galvanised bucket



	Length mm	Width mm	Height mm	Weight kg	Item-No. galvanised	Item-No. stainless steel
Trash box with galvanised bucket	500	210	600	65,3	11052	11552

The quality of stainless steel material corresponds to CNS 1.4301.

End caps



End cap closed, type 010



End cap with horizontal
UPVC - outlet DN 150,
type 020

	Length mm	Width mm	Height mm	Weight kg	Item-No. galvanised	Item-No. stainless steel
End cap closed, type 01	-	210	220	0,7	11081	11581
End cap closed, type 010	-	210	265	0,8	11082	11582
End cap closed, type 020	-	210	315	1,0	11083	11583
End cap closed, type 110	-	210	110	0,4	2181	2681
End cap closed, type 150	-	210	150	0,5	2182	2682
End cap closed, type 200	-	210	200	0,6	2183	2683
End cap with horizontal UPVC - outlet DN 150, type 01 - 010	-	210	265	1,0	11087	11587
End cap with horizontal UPVC - outlet DN 150, type 020	-	210	315	1,1	11088	11588

The quality of stainless steel material corresponds to CNS 1.4301.

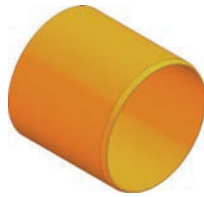
FASERFIX®KS 150

Accessories

Further accessories



Foul air trap DN 150



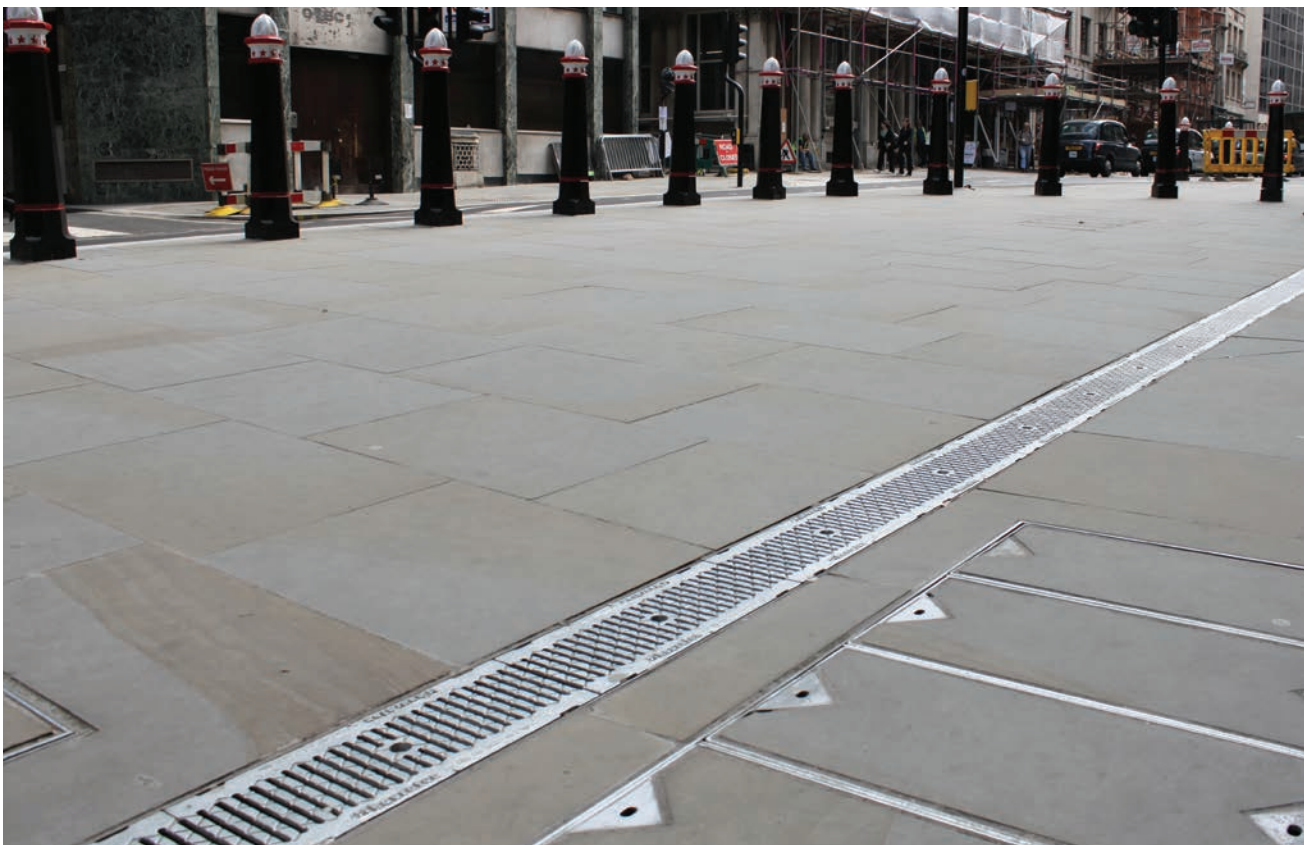
PVC - connection DN 150



Mud bucket DN 150

	Length mm	Width mm	Height mm	Weight kg	Item No.
Foul air trap DN 150	584	160	439	2,0	960
PVC - connection DN 150	-	-	-	0,5	906
Mud bucket DN 150	-	-	180	0,6	2191
Bar and bolt for KS 100 ductile iron grating	-	-	-	0,1	98210

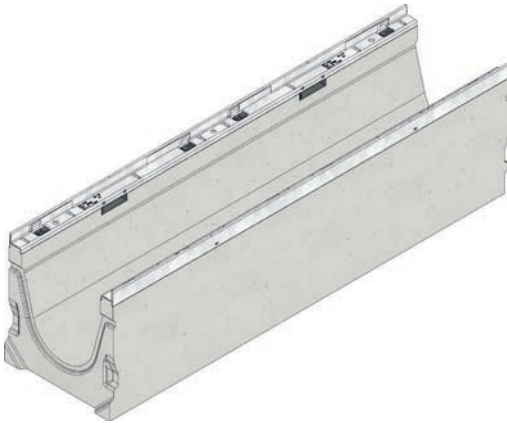
Note: Where a channel joint sealant is required then Hauraton recommend Primer Sikaflex 215



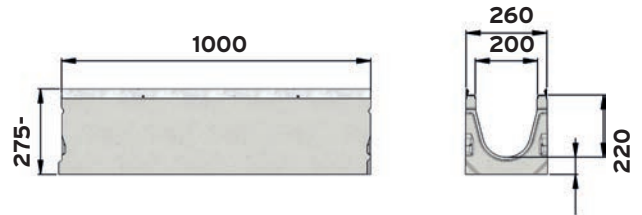
Canon Street London

Channels

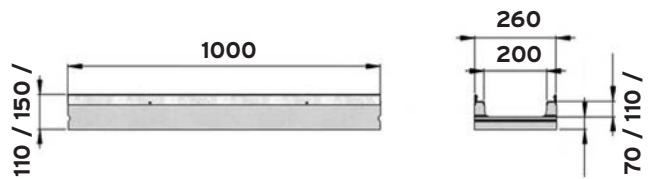
FASERFIX®KS 200 level invert channels up to load class F 900



Type 110 F / 150F / 200F



Type 110 / 150F / 200F

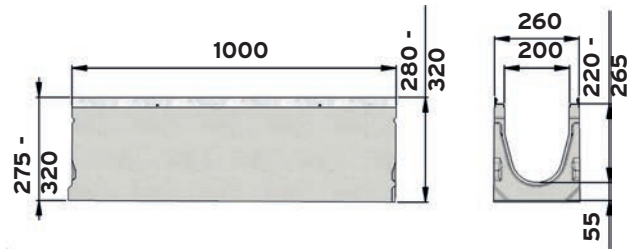
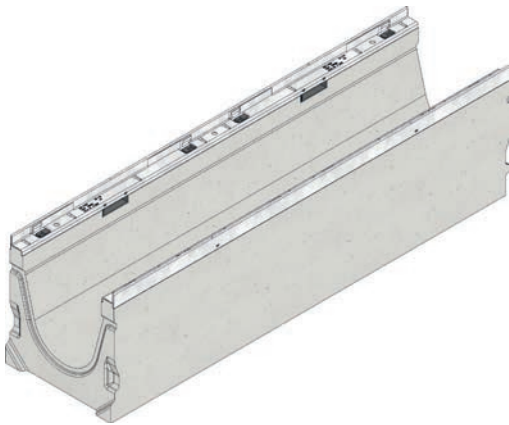


	Length mm	Width mm	Height mm	Invert mm	Drainage cross-sect. cm ²	Weight kg	Item-No. galvanised	Item-No. stainless steel
Type 01	1000	260	275	220	319	79,0	12000	12500
Type 0105	500	260	275	220	319	39,0	12049	12549
Type 01L with hole DN 100	1000	260	275	220	319	79,0	12035	-
Type 010	1000	260	320	265	409	84,9	12042	12542
Type 010L with hole, DN 100	1000	260	320	265	409	88,0	12036	-
Type 015	1000	260	345	290	462	89,0	12043	-
Type 020	1000	260	370	315	509	91,6	12044	12544
Type 020L with hole, DN 100	1000	260	370	315	509	95,0	12037	-
Type 110 F (Flat bottom)	1000	260	110	70	89	32,5	3121	3521
Type 150 F (Flat bottom)	1000	260	150	110	148	38,5	3122	3522
Type 200 F (Flat bottom)	1000	260	200	160	246	45,5	3123	3523

The quality of stainless steel material corresponds to CNS 1.4301.

FASERFIX®KS 200

FASERFIX®KS 200 with built-in fall 0,5 %, up to load class F 900



	Length mm	Width mm	Height mm	Invert mm	Drainage cross-sect. cm ²	Weight kg	Item-No. galvanised	Item-No. stainless steel
Type 1	1000	260	275 - 280	220-225	324	79,0	12001	12501
Type 2	1000	260	280 - 285	225-230	334	79,7	12002	12502
Type 3	1000	260	285 - 290	230-235	344	80,5	12003	12503
Type 4	1000	260	290 - 295	235-240	354	80,8	12004	12504
Type 5	1000	260	295 - 300	240-245	364	81,9	12005	12505
Type 6	1000	260	300 - 305	245-250	374	82,4	12006	12506
Type 7	1000	260	305 - 310	250-255	384	82,5	12007	12507
Type 8	1000	260	310 - 315	255-260	394	83,5	12008	12508
Type 9	1000	260	315 - 320	260-265	404	86,0	12009	12509

The quality of stainless steel material corresponds to CNS 1.4301.



FASERFIX[®]KS 200

Gratings

FASERFIX[®]SUPER KS 200, class B 125



FIBRETEC slotted grating, SW 9 mm, black

	Length mm	Width mm	Height mm	Intake cross-sect. cm ² /m	Weight kg	Item No.
FIBRETEC slotted grating, SW 9 mm, HEELSAFE black	500	249	20	656	2,1	12098

FASERFIX[®]KS 200, class C 250



Ductile iron grating SW 20, black



Ductile iron grating, SW 20, KTL



Mesh grating MW 30/10, galvanised

	Length mm	Width mm	Height mm	Intake cross-sect. cm ² /m	Weight kg	Item No.
Ductile iron grating SW 20, black	500	249	20	823	5,6	12064
Ductile iron grating SW 20, KTL	500	249	20	823	5,8	12264
Mesh grating MW 30/10, galvanised	1000	249	20	1500	10,8	12075
Mesh grating MW 30/10, galvanised	500	249	20	1500	5,5	12076
Mesh grating MW 30/30, stainless steel	1000	249	20	1681	9,8	12573
Mesh grating MW 30/30, stainless steel	500	249	20	1681	5,0	12574
Mesh grating MW 30/10, stainless steel	1000	249	20	1500	11,0	12575
Mesh grating MW 30/10, stainless steel	500	249	20	1500	5,8	12576
Mesh grating MW 30/30, galvanised	1000	249	20	1681	9,2	12073
Mesh grating MW 30/30, galvanised	500	249	20	1681	4,6	12074

The quality of stainless steel material corresponds to CNS 1.4301.

FASERFIX®KS 200

FASERFIX®KS 200, class D 400*



G-TEC Ductile iron grating,
SW 9, KTL



Ductile iron longitudinal
grating, KTL



Ductile iron grating SW 18,
black



Ductile iron grating Metropolis,
black, KTL

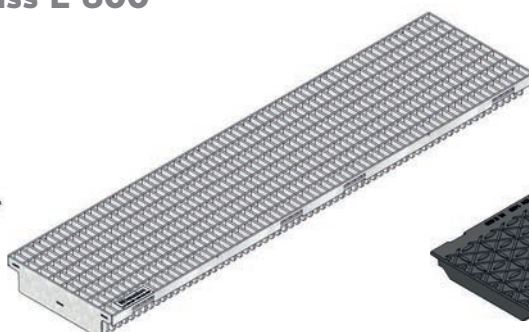
	Length mm	Width mm	Height mm	Intake cross-sect. cm ² /m	Weight kg	Item No.
G-TEC Ductile iron grating SW 9 mm, HEELSAFE KTL	500	249	20	595	8,3	12266
Ductile iron longitudinal grating, KTL	500	249	20	951	9,4	12269
Ductile iron longitudinal grating, galvanised	500	249	20	951	9,4	12369
Ductile iron grating SW 18, black	500	249	20	823	6,9	12463
Ductile iron grating, SW 18, KTL	500	249	20	823	7,6	12263
Ductile iron METROPOLIS grating, KTL coated	500	249	20	279	10,7	12275

* Not for use across the carriageway of highways or motorways in moving traffic.

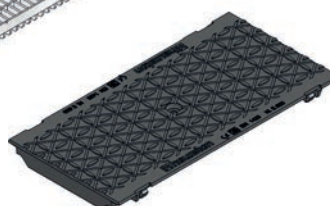
FASERFIX®KS 200, class E 600



GUGI-Ductile mesh grating
MW 15/25, black



Mesh grating MW 11/30,
galvanised



Solid ductile iron cover, KTL

	Length mm	Width mm	Height mm	Intake cross-sect. cm ² /m	Weight kg	Item No.
GUGI-Ductile mesh grating MW 15/25, black	500	249	20	886	9,6	12068
GUGI-Ductile iron mesh grating MW 15/25, KTL	500	249	20	886	9,7	12268
Mesh grating MW 11/30, galvanised	1000	249	20	1309	28,4	12071
Mesh grating MW 11/30, galvanised	500	249	20	1309	14,6	12072
Mesh grating MW 11/30, stainless steel	1000	249	20	1309	29,7	12571
Mesh grating MW 11/30, stainless steel	500	249	20	1309	14,9	12572
Solid ductile iron cover, black	500	249	20	-	8,3	12362
Solid ductile iron cover, KTL	500	249	20	-	8,7	12270

The quality of stainless steel material corresponds to CNS 1.4301.

FASERFIX[®]KS 200

Gratings

FASERFIX[®]KS 200, class F 900



Ductile iron grating SW 20, black

	Length mm	Width mm	Height mm	Intake cross-sect. cm ² /m	Weight kg	Item No.
Ductile iron grating SW 20, black	500	249	20	823	10,4	12061
Ductile iron grating SW 20, KTL (minimum order quantity: 400 pieces, delivery time approx. 4 weeks)	500	249	20	823	10,4	12261

Please note where high lateral forces are expected then Hauraton recommend FASERFIX SUPER Channels
Where E600 & F900 grates are used Hauraton recommends using bar & bolts for extra safety.



ALDI Lincoln



ASDA Bedminster, Bristol

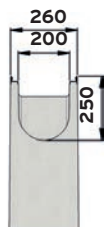
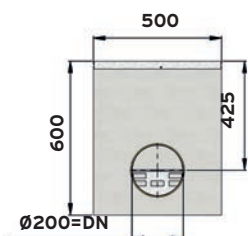
FASERFIX®KS 200

Accessories

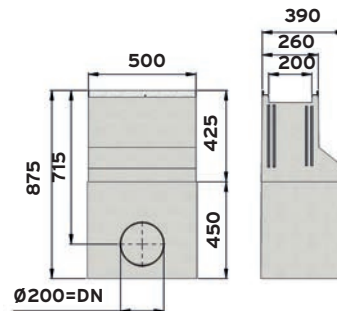
Trash boxes



Trash box with galvanised bucket



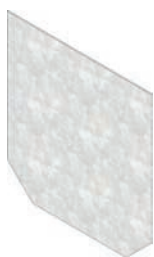
Trash box, 2-pieces, with galvanised mud bucket



	Length mm	Width mm	Height mm	Weight kg	Item-No. galvanised	Item-No. stainless steel
Trash box with galvanised bucket	500	260	600	72,2	12052	12552
Trash box, 2-pieces, with galvanised mud bucket	500	260	875	177,0	12054	-

The quality of stainless steel material corresponds to CNS 1.4301.

End caps



End cap closed, Type 01



End cap closed, Type 010

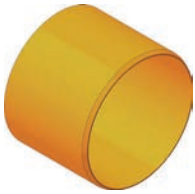
	Length mm	Width mm	Height mm	Weight kg	Item-No. galvanised	Item-No. stainless steel
End cap closed, Type 01	-	260	275	1,1	12081	12581
End cap closed, Type 010	-	260	320	1,2	12082	12582
End cap closed, Type 020	-	260	370	1,5	12083	12583
End cap, closed, Type 110 F	-	260	110	0,4	3181	3681
End cap, closed, Type 150 F	-	260	150	0,6	3182	3682
End cap, closed, Type 200 F	-	260	200	0,8	3183	3683
End cap with horizontal UPVC-outlet, DN 150, galvanised, Type 01 - 010	-	260	320	1,5	12087	12587
End cap with horizontal UPVC-outlet, DN 150, galvanised, Type 020	-	260	370	1,7	12088	12588

The quality of stainless steel material corresponds to CNS 1.4301.

FASERFIX[®]KS 200

Accessories

Further accessories



PVC-Connection DN 200



Mud bucket DN 150

	Length mm	Width mm	Height mm	Weight kg	Item No.
PVC-Connection DN 200	-	-	-	0,8	907
Mud bucket DN 150	-	-	180	0,6	2191
Bar and bolt for KS 100 ductile iron grating	-	-	-	0,1	98210

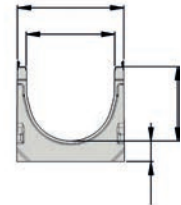
Note: Where a channel joint sealant is required then Hauraton recommend Primer Sikaflex 215



FASERFIX®KS 300

Channels

FASERFIX®KS 300 level invert channels up to load class F 900



	Length mm	Width mm	Height mm	Invert mm	Drainage cross-sect. cm ²	Weight kg	Item-No. galvanised
Type 010	1000	360	340	270	634	117,2	14040

The quality of stainless steel material corresponds to CNS 1.4301.



Petrol Filling Station , Dewsbury, Yorkshire

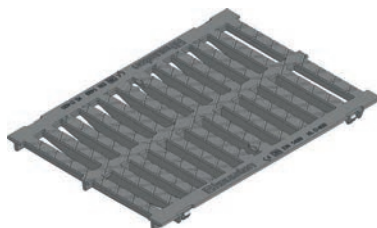
FASERFIX[®]KS 300

Gratings

FASERFIX[®]KS 300, class D 400*



G-TEC Ductile iron grating, KTL



Ductile iron grating, SW 18, black

	Length mm	Width mm	Height mm	Intake cross-sect. cm ² /m	Weight kg	Item No.
G-TEC Ductile iron grating, KTL	500	349	20	960	14,9	14266
Ductile iron grating, SW 18, black	500	349	20	1316,8	12,9	14463
Ductile iron grating, SW 18, KTL	500	349	20	1316,8	12,9	14263

* Not for use across the carriageway of highways or motorways in moving traffic.

FASERFIX[®]KS 300, class E 600



GUGI-Ductile iron mesh grating,
MW 15/25, black

	Length mm	Width mm	Height mm	Intake cross-sect. cm ² /m	Weight kg	Item No.
GUGI-Ductile iron mesh grating, MW 15/25, black	500	349	20	1196	18,1	14068
GUGI Ductile iron mesh grating, MW 15/25, KTL	500	349	20	1196	18,2	14268

Please note where E600 & F900 grates are used Hauraton recommends using bar & bolts for extra safety.

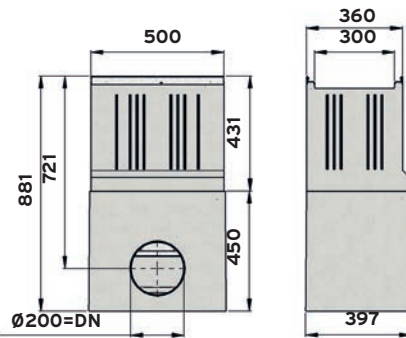
FASERFIX®KS 300

Accessories

Trash boxes

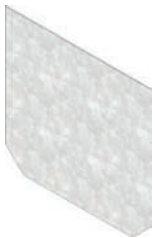


Trash box 2-parts with galvanized mud bucket

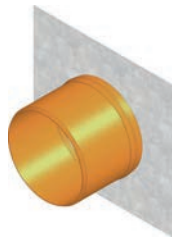


	Length mm	Width mm	Height mm	Weight kg	Item-No. galvanised	Item-No. stainless steel
Trash box 2-parts with galvanized mud bucket	500	360	881	178,5	14054	14554

End caps



End cap closed, type 340



End cap with UPVC-outlet
DN 200

	Length mm	Width mm	Height mm	Weight kg	Item No.
End cap closed, type 340	-	360	340	1,9	14085
End cap with UPVC-outlet DN 200	-	360	340	2,2	14087

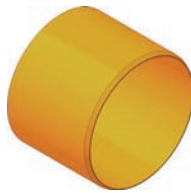
The quality of stainless steel material corresponds to CNS 1.4301.

FASERFIX[®]KS 300

Further accessories



Extension part



PVC-Connection DN 200

	Length mm	Width mm	Height mm	Weight kg	Item No.
Extension part	510	390	400	81,7	4054
PVC-Connection DN 200	-	-	-	0,8	907
Clip-locking handle for SUPER KS 300, galvanised, complete with bolts	-	-	-	0,3	98270
Bar and bolt for KS 100 ductile iron grating	-	-	-	0,1	98210

Note: Where a channel joint sealant is required then Hauraton recommend Primer Sikaflex 215



Car Park Middleton Leeds

Introducing the METROPOLIS grating

Ductile iron gratings on surface water drainage channels don't necessarily need to be utilitarian in appearance with geometric slots or meshes



Ductile iron gratings on surface water drainage channels don't necessarily need to be utilitarian in appearance with geometric slots or meshes

FASERFIX®KS

Inspired by the patterns made by water flowing down a stream, the surface design of the Hauraton METROPOLIS grating is reminiscent of the ART NOUVEAU style and later ART DECO period. Planners and landscape architects can now choose this grating to add a touch of class to their schemes in historic and pre-modern townscapes or any surface drainage project where an aesthetic, more decorative look is desired.



500mm x 149mm wide METROPOLIS grating.



500mm x 249mm wide METROPOLIS grating.

The METROPOLIS grating is sold separately to fit FASERFIX® KS channels or factory fitted to RECYFIX® PRO channels. Gratings are available in nominal widths of 100mm and 200 mm

Sizing details for FASERFIX® KS 100 and FASERFIX® KS 200, with METROPOLIS gratings can be found in the Hauraton CIVILS catalogue. Sizing details for RECYFIX® PRO 100 and RECYFIX® PRO 200, with METROPOLIS gratings can be found in the Hauraton LANDSCAPE catalogue. The channels provide a loading capacity up to Class D400. All METROPOLIS grating are finished in anti-corrosion, Black KTL finish.

Tim Connolly, Managing Director of Hauraton Limited says, "The introduction of the METROPOLIS grating into the UK is another example of how Hauraton is keen to design new products in response to customer demand".





first direct arena

HAURATON LIMITED

Unit 4, French's Avenue
Dunstable, Bedfordshire
LU6 1BH
Tel. 01582 501380
Fax 01582 501399
sales-uk@hauraton.com
www.hauraton.com

09/2022 |
All drawings, measurements and weights
are non-committal. We reserve the right to
make technical changes for improvement.

