



FASERFIX SUPER

Drainage channels for extreme loads and
high dynamic forces - to load Class F900kN



Contents

Product range		Loading category	Page
FASERFIX SUPER	Overview + HYDRAULIC PERFORMANCE Technical Support		3
	Features & Benefits		4-5
	Applications & Gratings offered		6-7
FASERFIX SUPER 100	Level invert channels	Class F900	8
	Ductile iron gratings GUGI Ductile iron gratings	Class D400 Class F900	9
	Accessories - Trash boxes (also End caps)	Class F900	10
	Further accessories - connectors etc	N/A	11
FASERFIX SUPER 150	Level invert channels & Built-in fall channels	Class F900	12
	Ductile iron grating GUGI Ductile iron grating & Solid cover Ductile iron grating	Class D400 Class E600 Class F900	13
	Accessories - Trash boxes (also End caps)	Class F900	14
	Further accessories - connectors etc	N/A	15
FASERFIX SUPER 200	Level invert channels & Built-in fall channels	Class F900	16
	Ductile iron gratings GUGI Ductile iron gratings & Solid cover Ductile iron gratings	Class D400 Class E600 Class F900	17
	Accessories - Trash boxes (also End caps)	Class F900	18
	Further accessories - connectors etc	N/A	19
FASERFIX SUPER 300	Level invert channels & Built-in fall channels	Class F900	20
	Ductile iron gratings & Mesh gratings Ductile iron gratings	Class C250 Class D400	21
	GUGI Ductile iron gratings & Solid cover Ductile iron gratings	Class E600 Class F900	22
	Accessories - Trash box (also End caps)	Class F900	23
	Further accessories - connectors etc	N/A	24
FASERFIX SUPER 400	Level invert channels	Class F900	25
	Ductile iron grating GUGI Ductile iron grating & Solid cover Ductile iron grating	Class D400 Class E600 Class F900	26
	Accessories - Trash box (also End caps)	Class F900	27
	Further accessories (also SUPER 500)	N/A	28
FASERFIX SUPER 500	Level invert channels	Class F900	29
	Ductile iron grating GUGI Ductile iron grating & Solid cover Ductile iron grating	Class D400 Class E600 Class F900	30
	Accessories - Trash box (also End caps)	Class F900	31

FASERFIX® SUPER

Drainage channels for extreme loads and high dynamic forces.

1 Requirements

Drainage channels in heavily traffic areas must:

- withstand extreme loads and high dynamic forces
- be particularly stable to ensure long-term security
- be resistant to environmental influences/effects (frost, heat, moisture)

2 Application areas

- traffic areas for industry
- container terminals and ports
- roads and tunnels
- petrol stations and service areas
- airports

3 Solutions

FASERFIX SUPER channels offer solutions for any type of application in heavy duty traffic areas:

- channels made from fibre-reinforced concrete
- corrosion-proof galvanised steel angle housing
- gratings up to Class F900 in accordance with DIN EN 1433
- grating securely located in 40 mm deep angle housings
- nominal sizes from 100 to 500 mm each in different heights
- bolt-less locking system SIDE-LOCK with additional eight bolt fixing per metre = 16 point locking system
- safety joint for easy sealing

4 Bespoke modifications

- All channels and grating can be cut to a specified length or mitred.
- Channels can be cut to gradients and outlet holes drilled as required

A selection of Hydraulic Performance tables for the most popular sizes of FASERFIX® and RECYFIX® channels including the RECYFIX® MONOTEC and RECYFIX® HICAP® ranges are available on request in an 8 page hard copy or PDF publication.

Hauraton channel drainage configurations are designed and sized using in-house **Hydraulic design software**. The accuracy of the software has been verified by physical testing of Hauraton systems within a hydraulic discharge test flume, replicating and evaluating hundreds of flow scenarios.

Hydraulic design software is also available free of charge to industry professionals. Intuitive and user friendly, **Hauraton Design Software** allows engineers to create drainage schemes for the company's range of civil engineering systems on tablets, desktop computers or through the internet (web-based application).

For smaller projects where a quick indication of the appropriate channel size and system is required for a given catchment area, Hauraton can provide their **Hydraulic Design App**.

For further details contact the Hauraton Technical Support Team



FASERFIX® SUPER channels

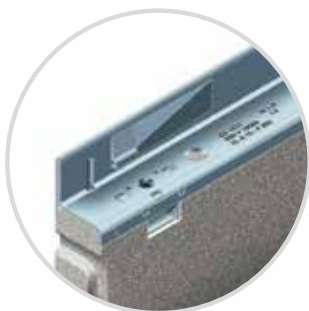
Features & Benefits



High quality angle housing

- 40 mm deep angle housing and grating
- Integral legs cast into housing frame provide an extremely stable anchor between the angle housing and concrete side wall
- 8-point SIDE-LOCK (see below) grating plus additional 8 bolt fixing = 16 point locking system
- Anti shunt feature

= Security



SIDE-LOCK

- SIDE-LOCK bolt-less locking system with additional 8-bolt fixing providing extra protection against horizontal movement
- Replace and insert the grating without any special tool

= Security

KTL corrosion resistant finish

Where it is desirable to prevent oxidation on ductile iron gratings and maintain the original black appearance, then a KTL corrosion resistant barrier can be specified. Usually KTL is only needed when the gratings are occasionally trafficked or they are in a pedestrian area.

Test results for corrosion and wear resistance are available on request.

= Maintained appearance

High-tech material

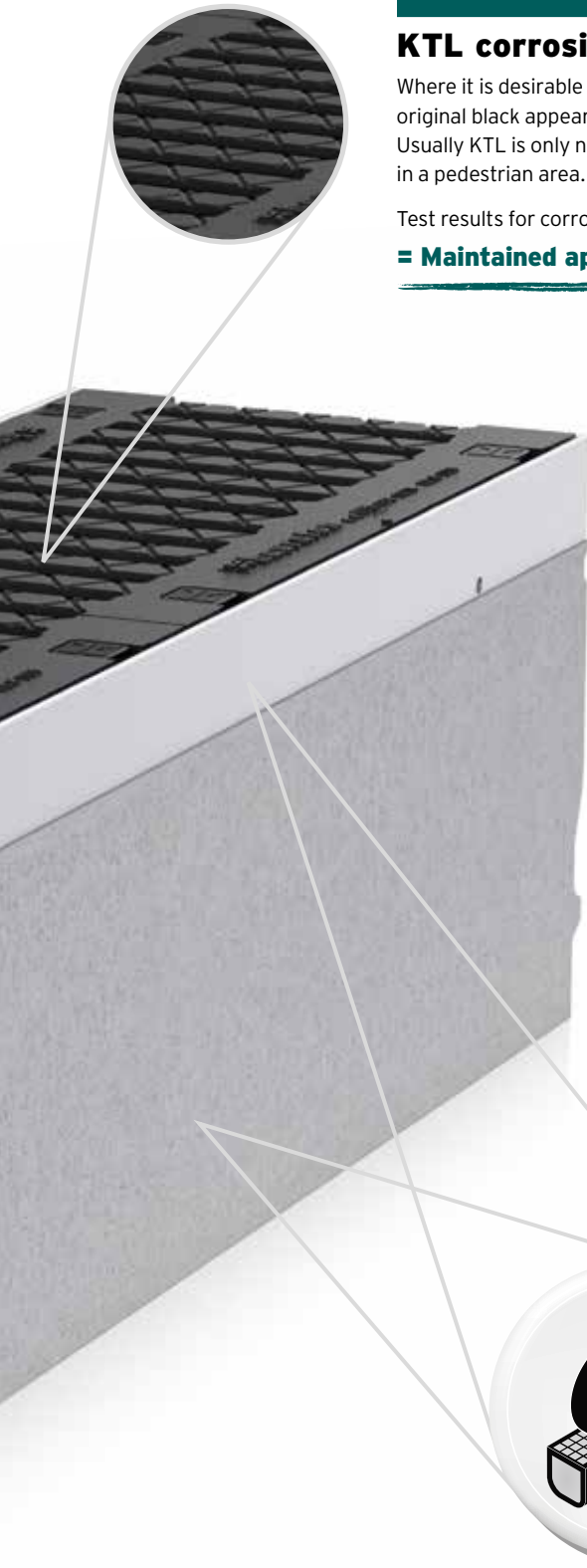
- Centralised production = one quality control system.
- Fibre Reinforced Concrete (FRC) gives optimum strength
- Adheres well to foundation concrete
- One channel for all loading classes up to F 900
- Fire resistance class A1 (non flammable) according DIN 4102
- Installation for asphalted surface up to class E 600 without concrete stretcher

= Security

High stability

- FASERFIX SUPER channels are ideal for areas with heavy load and high dynamic forces up to class F 900
- Maximum lateral stability
- Thicker walls (compared to FASERFIX KS) for additional security in extreme situations (with high dynamic forces)

= Security



FASERFIX® SUPER Applications

Drainage channels for extreme loads and high dynamic forces.

FASERFIX SUPER channels meet the requirements of DIN EN 1433 and are suitable for the following load categories:



Category A 15,
Load class 15 kN



Category B 125,
Load class 125 kN



Category C 250,
Load class 250 kN



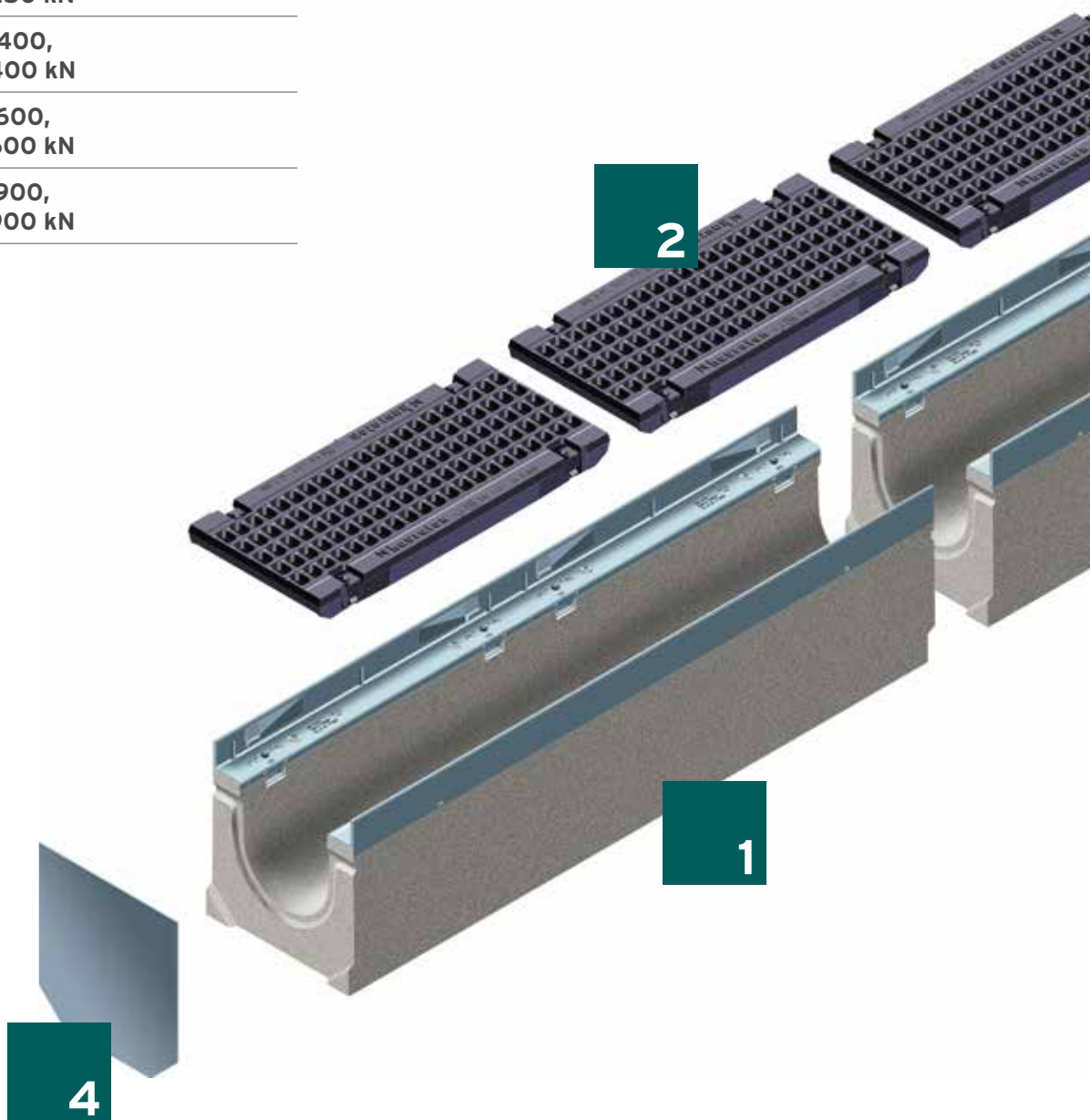
Category D 400,
Load class 400 kN

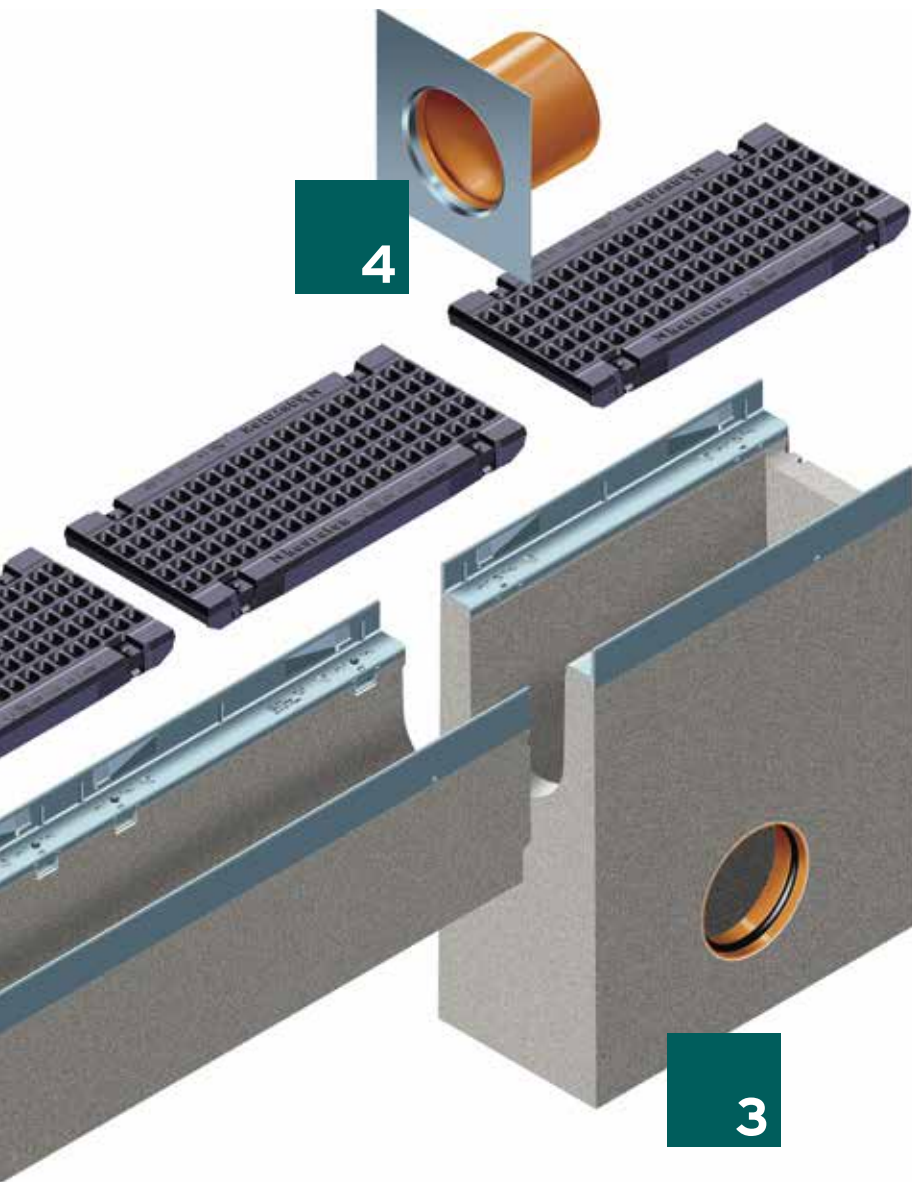


Category E 600,
Load class 600 kN



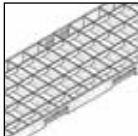



Category F 900,
Load class 900 kN





- 1** Fibre-reinforced concrete channels to DIN V 19580/EN 1433, CE-compliant, with safety joint, steel frame and SIDE-LOCK boltless locking mechanism as well as tongue and groove for exact installation
- 2** Numerous grating options
- 3** Trash box with drainage connection options on 3 sides and removable mud bucket
- 4** End caps with and without outlets

Grating options FASERFIX®SUPER Channels

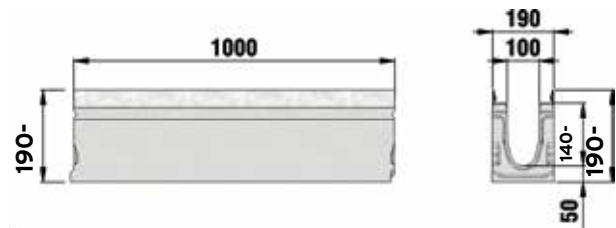
	Mesh grating*	GUGI-Ductile iron mesh gratings*	Ductile iron gratings*	Solid covers*
Load categories				
C 250	300		300	
D 400			100, 150, 200, 300, 400, 500	
E 600		150, 200, 300, 400	500	150, 200, 300, 400, 500
F 900		100	150, 200, 300, 400, 500	

* sizes are nominal widths

FASERFIX®SUPER 100

Channels

FASERFIX®SUPER 100 level invert channels, up to load class F 900



	Length mm	Width mm	Height mm	Invert mm	Drainage cross-sect. cm ²	Weight kg	Item No.
Type 01	1000	190	190	140	80	51,6	6000
Type 0105	500	190	190	140	80	25,3	6049
Type 01L with outlet, DN 100*	1000	190	190	140	80	50,2	6045
Type 010	1000	190	235	185	125	61,0	6042
Type 01005	500	190	235	185	125	31,0	6050
Type 010L, with outlet, DN 100*	1000	190	235	185	125	59,7	6046
Type 020	1000	190	285	235	175	70,5	6044
Type 02005	500	190	285	235	175	38,0	6048
Type 020L, with outlet, DN 100*	1000	190	285	235	175	69,2	6047

* Position of the opening to the bottom of the channel. 100 mm from the centre of the hole (DN 100) to the end of the channel.



FASERFIX[®]SUPER 100

Gratings

FASERFIX[®]SUPER 100, class D 400*



Ductile iron grating, SW 16 mm, black

	Length mm	Width mm	Height mm	Intake cross-sect. cm ² /m	Weight kg	Item No.
Ductile iron grating, SW 16 mm, black	500	179	40	363	5,9	6063
Ductile iron grating, SW 16 mm, KTL	500	177	40	363	6,1	6663

* Not for use across the carriageway of highways or motorways in moving traffic.

FASERFIX[®]SUPER 100, class F 900



GUGI-Ductile iron mesh grating, MW 15/25, black

	Length mm	Width mm	Height mm	Intake cross-sect. cm ² /m	Weight kg	Item No.
GUGI-Ductile iron mesh grating, MW 15/25, black	500	179	40	494	7,8	6060
GUGI Ductile iron mesh grating, MW 15/25, KTL	500	179	40	363	7,5	6660

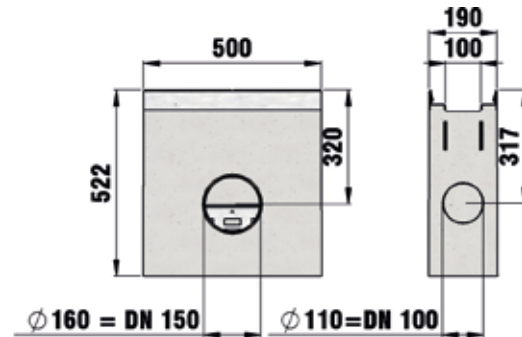
FASERFIX® SUPER 100

Accessories

Trash boxes



Trash box with galvanised mud bucket



	Length mm	Width mm	Height mm	Weight kg	Item No.
Trash box with galvanised mud bucket	500	190	522	59,0	6052
Trash box with ductile iron angle housing and galvanised mud bucket	500	190	522	62,1	1452

End caps



End cap closed, Type 01



End cap closed, galvanised, type 010



End cap with horizontal UPVC-outlet, galvanised, type 010

	Length mm	Width mm	Height mm	Weight kg	Item No.
End cap closed, Type 01	-	190	165	0,5	6081
End cap closed, galvanised, type 010	-	190	210	0,6	6082
End cap closed, galvanised, type 020	-	190	260	0,8	6083
End cap with horizontal UPVC-outlet, galvanised, type 010	-	190	210	0,7	6092
End cap with horizontal UPVC-outlet, galvanised, type 020	-	190	260	0,8	6093

FASERFIX® SUPER 100

Further accessories



PVC - connection DN 150



Mud bucket vertical DN 100, black



Lifting tool (Shackle & eye bolt)

	Length mm	Width mm	Height mm	Weight kg	Item No.
Hexagon bolt, stainless steel	-	-	-	-	91606
UPVC cap for hexagon bolts	24	24	7	-	91100
Foul air trap DN 100 with hole	-	-	103	0,2	964
PVC - connection DN 150	-	-	-	0,5	906
Mud bucket vertical DN 100, black	100	100	85	-	40293
Lifting tool (Shackle & eye bolt)	-	-	-	-	701

Note: Where a channel joint sealant is required then Hauraton recommend Primer Sikaflex 215



Charnock Richard Services HGV Refuelling Station



ALDI Regional Distribution Depot Darlington

FASERFIX® SUPER 150

Channels

FASERFIX® SUPER 150 level invert and built in fall channels, up to load class F 900



	Length mm	Width mm	Height mm	Invert mm	Drainage cross-sect. cm ²	Weight kg	Item No.
Type 01	1000	240	255	195	205	75,3	2000
Type 01L with hole, DN 160*	1000	240	255	195	205	77,0	2035
Type 0105	500	240	255	195	205	37,0	2049
Type 010	1000	240	309	249	272	84,4	2042
Type 010L with hole, DN 160*	1000	240	309	249	272	82,4	2036
Type 020	1000	240	369	309	345	95,6	2044
Type 020L with hole, DN 160*	1000	240	369	309	345	93,6	2037
Type 01 E (square bottomed)	1000	240	255	195	223	80,0	2105
Built in 0.5% fall channels							
Type 1	1000	240	255-260	195-200	212	76,2	2001
Type 2	1000	240	260-265	200-205	220	77,1	2002
Type 3	1000	240	265-270	205-210	227	78,0	2003
Type 4	1000	240	270-275	210-215	235	78,9	2004
Type 5	1000	240	275-280	215-220	242	79,9	2005
Type 6	1000	240	280-285	220-225	249	80,8	2006
Type 7	1000	240	285-290	225-230	257	81,7	2007
Type 8	1000	240	290-295	230-235	264	82,6	2008
Type 9	1000	240	295-300	235-240	272	83,5	2009
Type 10	1000	240	300-305	240-245	279	85,5	2010
Type 11	1000	240	305-310	245-250	285	86,7	2011
Type 12	1000	240	310-315	250-255	293	87,7	2012
Type 13	1000	240	315-320	255-260	300	88,9	2013
Type 14	1000	240	320-325	260-265	307	90,0	2014
Type 15	1000	240	325-330	265-270	315	91,1	2015
Type 16	1000	240	330-335	270-275	322	92,2	2016
Type 17	1000	240	335-340	275-280	330	93,4	2017
Type 18	1000	240	340-345	280-285	337	94,5	2018
Type 19	1000	240	345-350	285-290	345	95,6	2019

* Position of the opening to the bottom of the channel. 130 mm from the centre of the hole (DN 160) to the end of the channel.
For elevations ref to www.haurton.co.uk

FASERFIX®SUPER 150

Gratings

FASERFIX®SUPER 150, class D 400*



Ductile iron grating, SW 150/18, black

	Length mm	Width mm	Height mm	Intake cross-sect. cm ⁺ /m	Weight kg	Item No.
Ductile iron grating, SW 150/18, black	500	229	40	624	7,5	2463
Ductile iron grating, SW 170/18, KTL	500	229	40	624	7,5	2483

* Not for use across the carriageway of highways or motorways in moving traffic.

FASERFIX®SUPER 150, class E 600



GUGI-Ductile iron mesh grating,
MW 15/25, black

	Length mm	Width mm	Height mm	Intake cross-sect. cm ⁺ /m	Weight kg	Item No.
GUGI-Ductile iron mesh grating, MW 15/25, black	500	229	40	628	11,5	2068
Solid ductile iron cover, black	500	229	40	-	10,7	2262

FASERFIX®SUPER 150, class F 900



Ductile iron grating SW 20, black

	Length mm	Width mm	Height mm	Intake cross-sect. cm ⁺ /m	Weight kg	Item No.
Ductile iron grating SW 20, black	500	229	40	710	9,9	2061
Ductile iron grating SW 20, KTL (minimum order quantity: 400 pieces, delivery time approx. 4 weeks)	500	229	40	710	9,9	2861

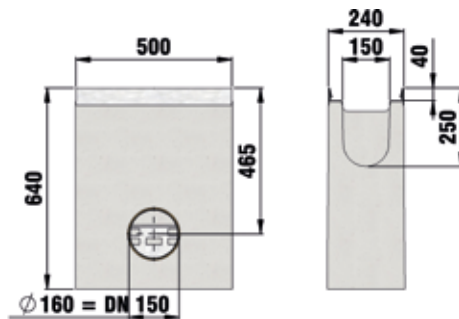
FASERFIX® SUPER 150

Accessories

Trash boxes



Trash box with galvanised bucket



	Length mm	Width mm	Height mm	Weight kg	Item No.
Trash box with galvanised bucket	500	240	640	90,3	2052
Trash box with ductile iron angle housing and galvanised mud bucket	500	240	640	92,7	2452

End caps



End cap closed, galvanised, Type 010



End cap closed, galvanised, Type 020



End cap with horizontal UPVC-outlet DN 150, galvanised, Type 020

	Length mm	Width mm	Height mm	Weight kg	Item No.
End cap closed, galvanised, Type 01	-	240	255	0,9	2081
End cap closed, galvanised, Type 010	-	240	309	1,1	2082
End cap closed, galvanised, Type 020	-	240	369	1,4	2083
End cap with horizontal UPVC-outlet DN 150, galvanised, Typ 01	-	240	255	1,0	2091
End cap with horizontal UPVC-outlet DN 150, galvanised, Type 010	-	240	309	1,2	2092
End cap with horizontal UPVC-outlet DN 150, galvanised, Type 020	-	240	369	1,7	2093

FASERFIX® SUPER 150

Further accessories



Foul air trap DN 150



PVC - connection DN 150



Lifting tool (Shackle & eye bolt)

	Length mm	Width mm	Height mm	Weight kg	Item No.
hexagon bolt, stainless steel	-	-	-	-	91606
UPVC cap for hexagon bolts	24	24	7	-	91100
Foul air trap DN 150	584	160	439	2,0	960
PVC - connection DN 150	-	-	-	0,5	906
Lifting tool (Shackle & eye bolt)	-	-	-	-	701

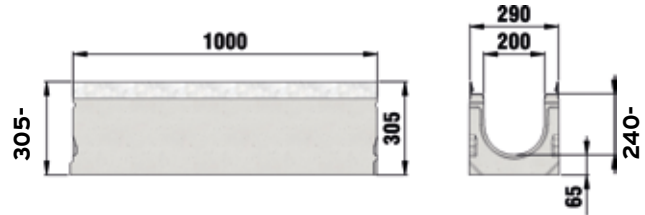
Note: Where a channel joint sealant is required then Hauraton recommend Primer Sikaflex 215



FASERFIX® SUPER 200

Channels

FASERFIX® SUPER 200 level invert and built in fall channels, up to load class F 900



	Length mm	Width mm	Height mm	Invert mm	Drainage cross-sect. cm [±]	Weight kg	Item No.
Type 01	1000	290	305	240	362	96,8	3000
Type 0105	500	290	305	240	362	49,0	3049
Type 01L with hole, DN 200*	1000	290	305	240	362	99,0	3035
Type 010	1000	290	350	285	447	107,1	3042
Type 010L with hole, DN 200*	1000	290	350	285	447	114,0	3036
Type 020	1000	290	400	335	552	113,7	3044
Type 020L with hole, DN 200*	1000	290	400	335	552	125,0	3037
Type 01 E (square bottomed)	1000	290	305	240	386	104,5	3105
Type 010 E (square bottomed)	1000	290	350	285	473	113,5	3106
Type 020 E (square bottomed)	1000	290	400	335	568	124,5	3107
Built in 0.5% fall channels							
Type 1	1000	290	305-310	240-245	362	105.0	3001
Type 2	1000	290	310-315	245-250	372	106.0	3002
Type 3	1000	290	315-320	250-255	382	107.0	3003
Type 4	1000	290	320-325	255-260	392	108.0	3004
Type 5	1000	290	325-330	260-265	402	109.0	3005
Type 6	1000	290	330-335	265-270	412	110.0	3006
Type 7	1000	290	335-340	270-275	422	111.0	3007
Type 8	1000	290	340-345	275-280	432	112.0	3008
Type 9	1000	290	345-350	280-285	442	113.0	3009
Type 10	1000	290	350-355	285-290	452	114.0	3010
Type 11	1000	290	355-360	290-295	462	116.0	3011
Type 12	1000	290	360-365	295-300	472	117.0	3012
Type 13	1000	290	365-370	300-305	482	118.0	3013
Type 14	1000	290	370-375	305-310	492	119.0	3014
Type 15	1000	290	375-380	310-315	502	120.0	3015
Type 16	1000	290	380-385	315-320	512	121.0	3016
Type 17	1000	290	385-390	320-325	522	122.0	3017
Type 18	1000	290	390-395	325-330	532	123.0	3018
Type 19	1000	290	395-400	330-335	542	124.0	3019

* Position of the opening to the bottom of the channel. 200 mm from the centre of the hole (DN 200) to the end of the channel.
For elevations ref to www.haurton.co.uk

FASERFIX®SUPER 200

Gratings

FASERFIX®SUPER 200, class D 400*

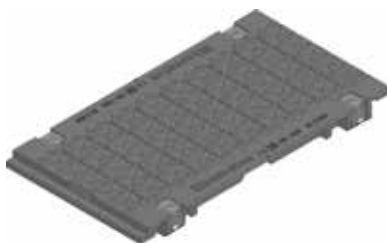


Ductile iron grating, SW 18mm, black

	Length mm	Width mm	Height mm	Intake cross-sect. cm ² /m	Weight kg	Item No.
Ductile iron grating, SW 170/18mm, black	500	279	40	732	9,3	3463
Ductile iron grating, SW 170/18mm, KTL	500	279	40	732	9,3	3483

* Not for use across the carriageway of highways or motorways in moving traffic.

FASERFIX®SUPER 200, class E 600



Solid ductile iron cover, black



Solid ductile iron cover, KTL (minimum order quantity: 400 pieces, delivery time approx. 4 weeks)

	Length mm	Width mm	Height mm	Intake cross-sect. cm ² /m	Weight kg	Item No.
GUGI-Ductile iron mesh grating MW 15/25, black	500	279	40	818	12,7	3068
Solid ductile iron cover, black	500	279	40	-	13,4	3262
Solid ductile iron cover, KTL (minimum order quantity: 400 pieces, delivery time approx. 4 weeks)	500	279	40	-	13,6	3962

FASERFIX®SUPER 200, class F 900



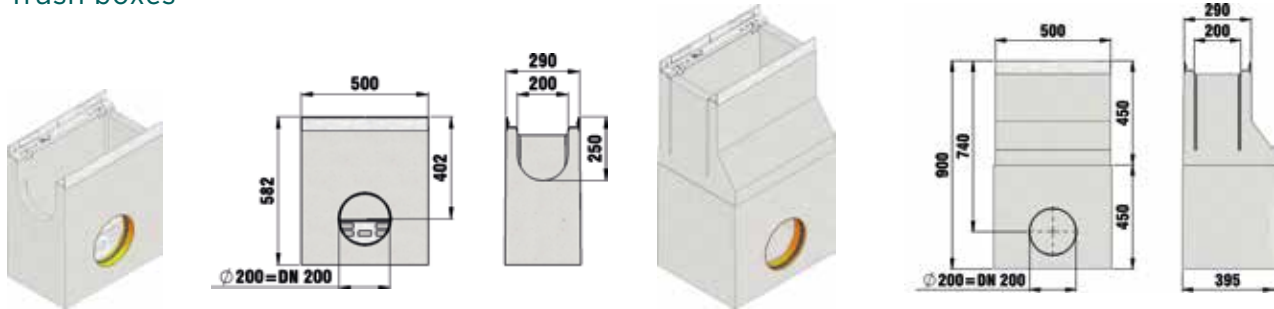
Ductile iron grating SW 20, black

	Length mm	Width mm	Height mm	Intake cross-sect. cm ² /m	Weight kg	Item No.
Ductile iron grating SW 20, black	500	279	40	833	13,6	3061
Ductile iron grating SW 20, KTL	500	279	40	833	13,7	3861

FASERFIX® SUPER 200

Accessories

Trash boxes



Trash box with galvanised bucket

Trash box, 2-pieces with galvanised bucket

	Length mm	Width mm	Height mm	Weight kg	Item No.
Trash box with galvanised bucket	500	290	582	92,0	3052
Trash box, 2-pieces with galvanised bucket	500	290	900	190,5	3054
Trash box with ductile iron angle housing and galvanised mud bucket	500	290	582	88,5	3452
Trash box, 2-pieces with ductile iron angle housing and galvanised mud bucket	500	290	900	196,5	3454

End caps



End cap closed, galvanised, Type 010

End cap closed, galvanised, Type 020

End cap with horizontal UPVC-outlet DN 150, galvanised, Type 01

End cap with horizontal UPVC-outlet DN 150, galvanised, Type 020

	Length mm	Width mm	Height mm	Weight kg	Item No.
End cap closed, galvanised, Type 01	-	290	305	1,4	3081
End cap closed, galvanised, Type 010	-	290	350	1,7	3082
End cap closed, galvanised, Type 020	-	290	400	1,9	3083
End cap with horizontal UPVC-outlet DN 150, galvanised, Type 01	-	290	305	1,5	3091
End cap with horizontal UPVC-outlet DN 150, galvanised, Type 020	-	290	400	1,8	3093

FASERFIX® SUPER 200

Further accessories



PVC-Connection DN 200



Lifting tool (Shackle & eye bolt)

	Length mm	Width mm	Height mm	Weight kg	Item No.
hexagon bolt, stainless steel	-	-	-	-	91606
UPVC cap for hexagon bolts	24	24	7	-	91100
PVC-Connection DN 200	-	-	-	0,8	907
Lifting tool (Shackle & eye bolt)	-	-	-	-	701

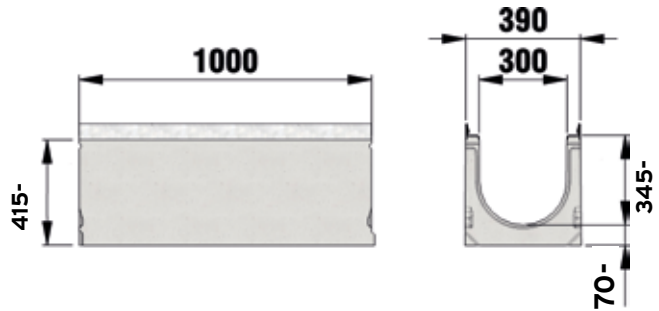
Note: Where a channel joint sealant is required then Hauraton recommend Primer Sikaflex 215



FASERFIX® SUPER 300

Channels

FASERFIX® SUPER 300 level invert and built in fall channels, up to load class F 900



	Length mm	Width mm	Height mm	Invert mm	Drainage cross-sect. cm ²	Weight kg	Item No.
Type O1	1000	390	415	345	803	153,1	4000
Type O105	500	390	415	345	803	75,0	4001
Type O1L with outlet, DN 200*	1000	390	415	345	803	149,3	4045
Type O10	1000	390	460	390	938	160,3	4242
Type O20	1000	390	510	440	1088	173,1	4244
Type O1 H	1000	390	630	545	1202	251,0	4044
Type O1 E (square bottomed)	1000	390	415	345	900	133,7	4105

Built in 0.5% fall channels							
Type 1	1000	390	415-420	345-350	811	151.0	4201
Type 2	1000	390	420-425	350-355	826	152.0	4202
Type 3	1000	390	425-430	355-360	841	153.0	4203
Type 4	1000	390	430-435	360-365	856	154.0	4204
Type 5	1000	390	435-440	365-370	871	155.0	4205
Type 6	1000	390	440-445	370-375	886	156.0	4206
Type 7	1000	390	445-450	375-380	901	157.0	4207
Type 8	1000	390	450-455	380-385	916	158.0	4208
Type 9	1000	390	455-460	385-390	931	159.0	4209
Type 10	1000	390	460-465	390-395	946	160.0	4210
Type 11	1000	390	465-470	395-400	961	161.0	4211
Type 12	1000	390	470-475	400-405	976	162.0	4212
Type 13	1000	390	475-480	405-410	991	163.0	4213
Type 14	1000	390	480-485	410-415	1006	164.0	4214
Type 15	1000	390	485-490	415-420	1021	165.0	4215

* Position of the opening to the bottom of the channel. 300mm from the centre of the hole (25 300) to the end of the channel. For elevations ref to www.haurton.co.uk

FASERFIX®SUPER 300

Gratings

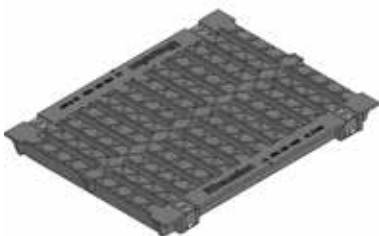
FASERFIX®SUPER 300, class C 250



Mesh grating MW 30/15, galvanised

	Length mm	Width mm	Height mm	Intake cross-sect. cm ⁺ /m	Weight kg	Item-No. galvanised	Item-No. stainless steel
Ductile iron grating SW 2 x 136/20, black	500	377	40	1334	18,7	4064	-
Ductile iron grating, SW 2 x 136/20, KTL	500	377	40	1334	16,6	4864	-
Mesh grating MW 30/15, galvanised	1000	377	40	2127	32,1	4075	4575
Mesh grating MW 30/15, galvanised	500	377	40	2127	17,0	4076	4576

FASERFIX®SUPER 300, class D 400*



Ductile iron grating SW 18, black

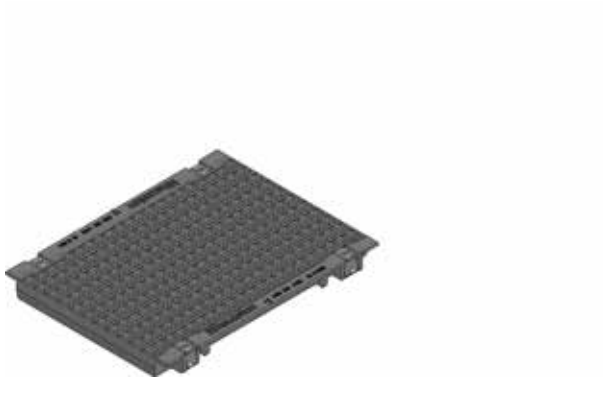
	Length mm	Width mm	Height mm	Intake cross-sect. cm ⁺ /m	Weight kg	Item No.
Ductile iron grating SW 2 x 136/18, black	500	377	40	1150	16,9	4563
Ductile iron grating, SW 2 x 136/18, KTL	500	377	40	1150	16,9	1543

* Not for use across the carriageway of highways or motorways in moving traffic.

FASERFIX®SUPER 300

Gratings

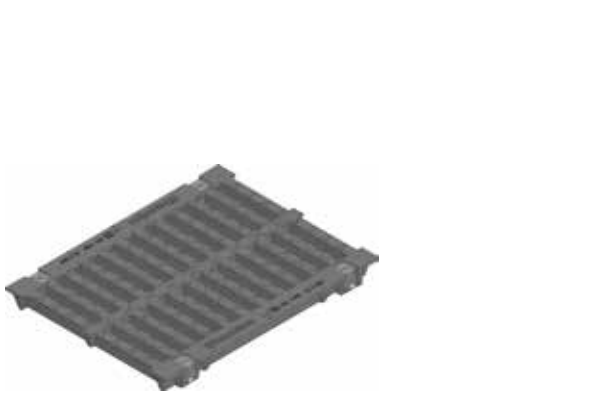
FASERFIX®SUPER 300, class E 600



GUGI-Ductile iron mesh grating MW 15/25, black

	Length mm	Width mm	Height mm	Intake cross-sect. cm ² /m	Weight kg	Item No.
GUGI-Ductile iron mesh grating MW 15/25, black	500	377	40	1172	21,8	4068
GUGI-Ductile iron mesh grating MW 15/25, black, KTL	500	377	40	1172	22,5	4868
Solid ductile iron cover, black	500	377	40	-	21,5	4262

FASERFIX®SUPER 300, class F 900



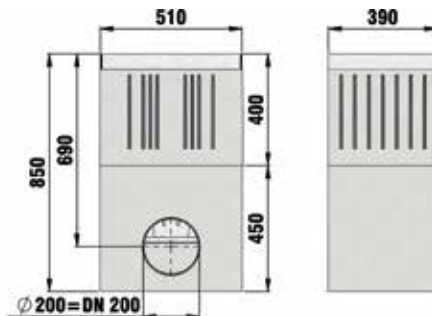
Ductile iron grating SW 20, black

	Length mm	Width mm	Height mm	Intake cross-sect. cm ² /m	Weight kg	Item No.
Ductile iron grating SW 2 x 136/20, black	500	377	40	1334	23,5	4061
Ductile iron grating, SW 2 x 136/20, KTL	500	377	40	1334	23,5	4861

FASERFIX® SUPER 300

Accessories

Trash boxes

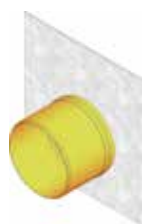


Trash box, two parts, without grating

Extension part

	Length mm	Width mm	Height mm	Weight kg	Item No.
Trash box, two parts, without grating	510	390	850	183,5	4050
Trash box with stainless steel angle housing and ductile iron grating, class F 900	510	390	850	207,0	4552
Trash box, 2-pieces with ductile iron angle housing and galvanised mud bucket	510	390	850	216,5	4652
Trash box upper part with stainless steel angle housing	510	390	400	70,4	4553
Extension part	510	390	400	81,7	4054

End caps



End cap closed, galvanised, type 01

End cap with horizontal UPVC-outlet DN 200, galvanised, type 01

	Length mm	Width mm	Height mm	Weight kg	Item No.
End cap closed, galvanised, type 01	-	390	415	2,7	4081
End cap closed, stainless steel	-	390	415	1,9	4581
End cap closed, galvanised, type 01H	-	390	630	3,7	4083
End cap closed, stainless steel, type 01 H	-	390	630	3,8	4583
End cap with horizontal UPVC-outlet DN 200, galvanised, type 01	-	390	415	2,8	4085
End cap with horizontal UPVC outlet, stainless steel	-	390	415	1,0	4585
End cap with horizontal UPVC-outlet DN 200, galvanised, type 01H	-	390	630	4,5	4088

FASERFIX® SUPER 300

Accessories

Further accessories



PVC-Connection DN 200



Lifting tool (Shackle & eye bolt)

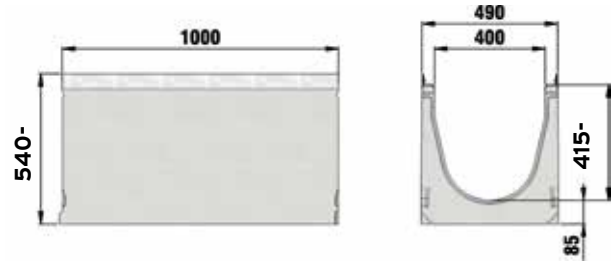
	Length mm	Width mm	Height mm	Weight kg	Item No.
Hexagon bolt, stainless steel	-	-	-	-	91606
UPVC cap for hexagon bolts	24	24	7	-	91100
PVC-Connection DN 200	-	-	-	0,8	907
Lifting tool (Shackle & eye bolt)	-	-	-	-	701

Note: Where a channel joint sealant is required then Hauraton recommend Primer Sikaflex 215



Channels

FASERFIX®SUPER 400 level invert channels, up to load class F 900



	Length mm	Width mm	Height mm	Invert mm	Drainage cross-sect. cm ²	Weight kg	Item No.
Type O1	1000	490	540	455	1383	245,3	4111
Type O1L with outlet, DN 200*	1000	490	540	455	1398	241,5	4112
Type O1H	1000	490	630	545	1758	258,4	4116
Type O1E (square bottomed)	1000	490	540	455	1498	255,0	4011

* Position of the opening to the bottom of the channel. 200 mm from the centre of the hole (DN 200) to the end of the channel.



FASERFIX®SUPER 400

Gratings

FASERFIX®SUPER 400, class D 400*

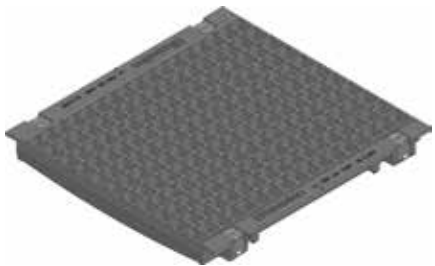


Ductile iron grating SW 18, black

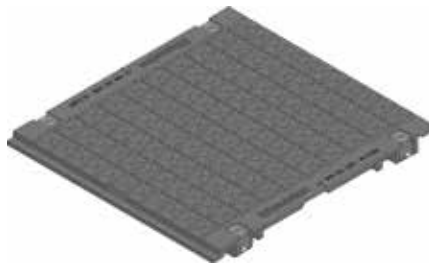
a	Length mm	Width mm	Height mm	Intake cross-sect. cm ⁺ /m	Weight kg	Item No.
	500	477	40	1420	25,0	4663

* Not for use across the carriageway of highways or motorways in moving traffic.

FASERFIX®SUPER 400, class E 600



GUGI-Ductile iron mesh grating
MW 15/25, black



Solid ductile iron cover, black

	Length mm	Width mm	Height mm	Intake cross-sect. cm ⁺ /m	Weight kg	Item No.
GUGI-Ductile iron mesh grating MW 15/25, black	500	477	40	1634	30,0	4168
Solid ductile iron cover, black	500	477	40	-	32,0	4362

FASERFIX®SUPER 400, class F 900



Ductile iron grating SW 20, black

	Length mm	Width mm	Height mm	Intake cross-sect. cm ⁺ /m	Weight kg	Item No.
Ductile iron grating SW 20, black	500	477	40	1618	38,7	4161

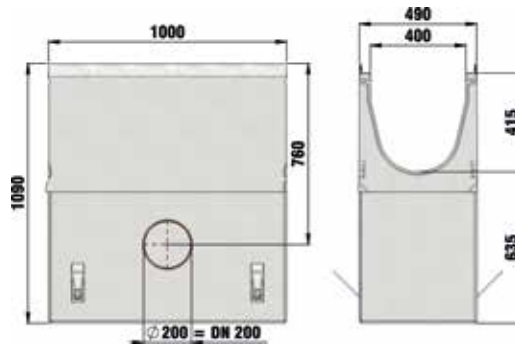
FASERFIX[®] SUPER 400

Accessories

Trash boxes



Trash box element with galvanised mud bucket for type O1



	Length mm	Width mm	Height mm	Weight kg	Item No.
Trash box element with galvanised mud bucket for type O1	1000	490	1090	670,0	4120
Trash box element with galvanised mud bucket for type O1 H	1000	490	1180	690,0	4125

* For positioning at the end of channel run, a closed end cap is required.

End caps



End cap closed, galvanised, Type O1



End cap with horizontal UPVC-outlet DN 200, galvanised, Type O1

	Length mm	Width mm	Height mm	Weight kg	Item No.
End cap closed, galvanised, Type O1	-	490	540	4,9	4091
End cap closed, galvanised, Type O1H	-	490	630	5,6	4092
End cap with horizontal UPVC-outlet DN 200, galvanised, Type O1	-	490	540	5,2	4093
End cap with horizontal UPVC-outlet DN 200, galvanised, Typ O1H	-	490	630	5,2	4097

FASERFIX® SUPER 400 & 500

Further accessories



PVC-Connection DN 200



Lifting tool (Shackle & eye bolt)

	Length mm	Width mm	Height mm	Weight kg	Item No.
Hexagon bolt, stainless steel	-	-	-	-	91606
UPVC cap for hexagon bolts	24	24	7	-	91100
PVC-Connection DN 200	-	-	-	0,8	907
Lifting tool (Shackle & eye bolt)	-	-	-	-	701

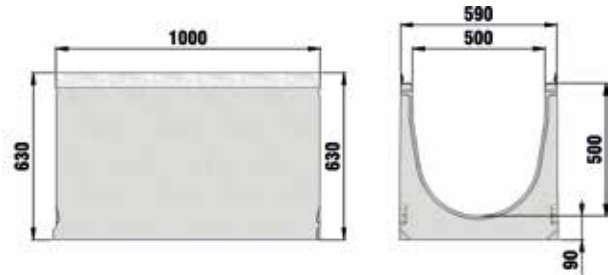
Note: Where a channel joint sealant is required then Hauraton recommend Primer Sikaflex 215



FASERFIX®SUPER 500

Channels

FASERFIX®SUPER 500 level invert channels, up to load class F 900



	Length mm	Width mm	Height mm	Invert mm	Drainage cross-sect. cm ²	Weight kg	Item No.
Type 01	1000	590	630	540	2141	307,5	4121
Type 01L with outlet, DN 200*	1000	590	630	540	2141	303,7	4122

* Position of the opening to the bottom of the channel. 200 mm from the centre of the hole (DN 200) to the end of the channel.

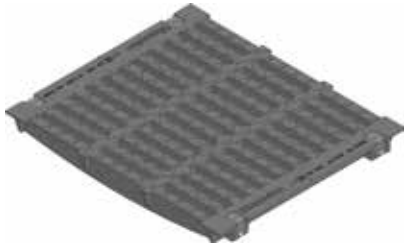


Raceway Moskau Bearb

FASERFIX®SUPER 500

Gratings

FASERFIX®SUPER 500, class D 400*

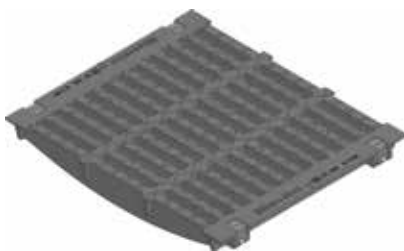


Ductile iron grating, SW18, black

	Length mm	Width mm	Height mm	Intake cross-sect. cm ² /m	Weight kg	Item No.
Ductile iron grating, SW18, black	500	577	40	1808	32,5	4683

* Not for use across the carriageway of highways or motorways in moving traffic.

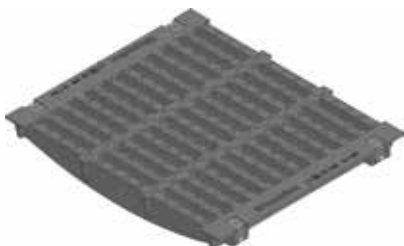
FASERFIX®SUPER 500, class E 600



Ductile iron grating SW 20, black

	Length mm	Width mm	Height mm	Intake cross-sect. cm ² /m	Weight kg	Item No.
Ductile iron grating SW 20, black	500	577	40	2061	45,0	4182
Solid ductile iron cover, black	500	577	40	-	42,0	4462

FASERFIX®SUPER 500, class F 900



Ductile iron grating, SW 20, black

	Length mm	Width mm	Height mm	Intake cross-sect. cm ² /m	Weight kg	Item No.
Ductile iron grating, SW 20, black	500	577	40	2061	46,5	4181

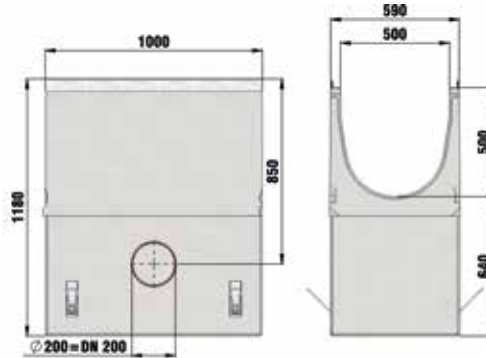
FASERFIX® SUPER 500

Accessories

Trash boxes



Trash box element with galvanised mud bucket for type O1



	Length mm	Width mm	Height mm	Weight kg	Item No.
Trash box element with galvanised mud bucket for type O1	1000	590	1180	826,0	4130

* For positioning at the end of channel run, a closed end cap is required.

End caps



End cap closed, galvanised, Type O1



End cap with horizontal UOVC-outlet DN 200, galvanised, Type O1

	Length mm	Width mm	Height mm	Weight kg	Item No.
End cap closed, galvanised, Type O1	-	590	630	6,8	4096
End cap with horizontal PVC-U outlet DN 200, galvanised, Type O1	-	590	630	8,0	4095



HAURATON LIMITED

Unit 4, French's Avenue
Dunstable, Bedfordshire
LU6 1BH

Tel. 01582 501380

Fax 01582 501399

sales-uk@hauraton.com

www.hauraton.com

09/2022 |
All drawings, measurements and weights
are non-committal! We reserve the right to
make technical changes for improvement.

