

KIRKPATRICK ~ BLACK IRONMONGERY



Kirkpatrick Ltd has been producing high quality malleable blackiron ironmongery from their foundry in Walsall since 1855. They are the last remaining UK foundry manufacturing these products in the time honoured traditional way. Their investment in a state of the art electric furnace and extracting plant has enabled them to address the “green” issue and produce fittings in the most efficient carbon-friendly way possible. Equally the durability and robustness of their range ensures a life-long product that is unlikely to need replacing.



Code	BI156
Plates	234x95mm
Projection	30mm
Bolts CC	235mm

Knocker



Code	BI157
Plates	175x65mm
Projection	35mm
Bolts CC	125mm

Knocker



Code	BI158
Plates	190x75mm
Projection	42mm
Bolts CC	132mm

Knocker



Code	BI155
Plates	190x64mm
Projection	45mm
Bolts CC	163mm

Knocker



Code	BI277
Size o/a	215x90mm
Aperture	127x25mm
bolts c-c	157mm

Postal Knocker



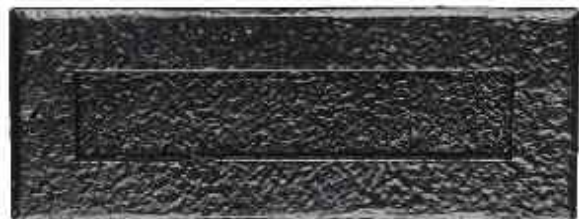
Code	BI278
Size o/a	250x62mm
Aperture	183x25mm
bolts c-c	218mm

Letter Plate



Code	BI259
Size o/a	295x101mm
Aperture	203x44mm
bolts c-c	254mm

Postal Knocker



Code	BI258	BI261	BI271
Size o/a	349x103mm	266x108mm	203x76mm
Aperture	248x53mm	203x44mm	139x35mm
Bolts c-c	292mm	235mm	171mm

Letter Plate Antique Finish



Code	BI262
Size o/a	362x104mm
Aperture	203x44mm
bolts c-c	280mm

Fleur de Lys Postal Knocker



Code	BI265	BI266
Size o/a	362x88mm	305x76mm
Aperture	203x44mm	152x38mm
Bolts c-c	273mm	216mm

Fleur de Lys Letter Plate

Black Iron is supplied with screws.

KIRKPATRICK ~ DOOR KNOCKERS & LETTER PLATES

DOOR KNOCKERS



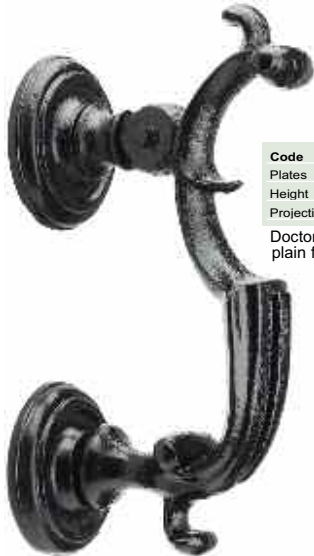
Code **BI154**
 Width 125mm
 Height 235mm
 Projection 70mm
 Fox Knocker



Code **BI150** **BI151**
 Width 115mm 90mm
 Max height 190mm 160mm
 Projection 50mm 32mm
 Lions Mask Knocker



Code **BI161**
 Width 60mm
 Height 170mm
 Projection 65mm
 Hand Knocker



Code **BI160**
 Plates 65mm
 Height 193mm
 Projection 114mm
 Doctors Knocker
 plain finish



Code **BI163**
 Ring 120mm
 Plates 69mm
 Projection 55mm
 Ring Knocker



Code **BI165**
 Plates 50mm
 Height 203mm
 Projection 110mm
 Dolphin Knocker



Code **BI273**
 Size o/a 267x108mm
 Aperture 200x45mm
 bolts c-c 234mm
 Letter Plate Plain Finish



Code **BI272** **BI275**
 Size o/a 290x75mm 355x100mm
 For bolt centers upto 267mm 330mm
 Interior Letter Flap

LETTER PLATES



Code **BI276**
 Size o/a 76x317mm
 Aperture 38x139mm
 bolts c-c 255mm
 Vertical Postal Knocker

KIRKPATRICK ~ FRONT DOOR FITTINGS

CENTRE DOOR KNOBS



Code **BI208**
 Knob 70mm
 Base 76mm
 Projection 75mm

plain finish



Code **BI209**
 Knob 82mm
 Base 101mm
 Projection 75mm



Code **BI207**
 Knob 70mm
 Base 76mm
 Projection 78mm

CYLINDER COVERS



Code **BI120**
 Size 57x63mm

Cylinder Latch Cover



Code **BI119**
 Size 127x63mm

Cylinder Latch Cover (with pull)

DOOR SAFETY CHAINS



Code	BI115	BI121
Length o/a	152mm	203mm
Width	40mm	47mm

Door Chain

DOOR GRILLE



Code	BI255	BI256
Type	Flat	Raised
Size o/a	172mm.sq	172mm.sq
Aperture	120mm.sq	120mm.sq
Projection	5mm	18mm

Door Grille

NUMERALS



Code **BI323**
 102mm
 Numerals 0 to 9

Code **BI322**
 51mm
 Numerals 0 to 9

Code **BI329**
 51mm
 Alphabet

DOOR STUDS



Code	BI320	BI321
Square	19mm	23mm
Projection	12mm	14mm

Door Studs (screw fix)

BELL PUSHES



Code **BI361**
 45x76mm



Code **BI354**
 57mm dia



Code **BI357**
 64x64mm



Code **BI355**
 45x88mm



Code **BI365**
 32x124mm

BELL PULLS



Code **BI356**
 58x143mm
 Bell crank only
 fitted with
 electric contact



Code **BI362**
 90x152mm
 Bell crank only
 fitted with
 electric contact

Code **BI351**
 64x521mm
 Bell Pull
 Ornate
 Complete kit
 as shown

Code **BI350**
 76x521mm
 Bell Pull
 Plain
 Complete kit
 as shown

see page 51 for more bell pushes and accessories

KIRKPATRICK ~ LOCKS & LATCHES

RIM LOCKS



Code	BI248
Case	158x115mm
Backset to key	44mm
Backset to Follower	122mm

Non Security Rim Lock
Complete with knobset
and escutcheons as illustrated

Code	BI249
Case	158x115mm
Backset to key	44mm
Backset to Follower	122mm

Non Security Rim Lock
Lock only



Code	BI215
Case	127x102mm
Knob	98mm

Rim Latch
Use rim knobsets - BI216, BI201, or BI210



Code	BI213RH	BI214LH
Case	127x102mm	127x120mm
Backset to key	39mm	39mm
Backset to Follower	98mm	98mm

Non Security Rim Lock Handed
Right Hand Illustrated

LOCKS AND LATCH



Code	BI253
Case	127x78mm
Backset to key	57mm
Backset to Follower	57mm

5 Lever
British Standard mortice lock



Code	BI252
Case	127x78mm
Backset to key	57mm
Backset to Follower	57mm

3 Lever mortice lock

Code	BI219
Depth	76mm
Height	21mm
Backset	58mm

Black Iron forend



Kirkpatrick Rim Latch

Code	backset A	case depth	case height
BI250	60mm	90mm	70mm
BI251	40mm	70mm	70mm

- Finish: **Black**
- Latch bolt is operated by key from outside and lever from inside
- Internal snib button to hold latch in open position or to dead lock it
- Two keys provided
- Not recommended for glass panel doors
- 5 pin cylinder

see page 79-86 for more locks and security

KIRKPATRICK ~ DOOR KNOBS AND ESCUTCHEONS

KNOB SETS (SOLD AS A PAIR)



Code	BI203	BI201
Type	mortice	rim
Knob	60x38mm	60x38mm
Rose	50x70mm	50x70mm
Projection	62mm	62mm



Code	BI204
Type	mortice
Knob	52mm
Rose	60mm sq
Projection	75mm



Code	BI206K
Type	mortice
Knob	64x38mm
Rose	58mm
Projection	62mm



Code	BI211K
Type	mortice
Knob	45mm
Rose	58mm
Projection	75mm



Code	BI199	BI198
Type	mortice	rim
Knob	64x38mm	64x38mm
Rose	66x50mm	66x50mm
Projection	70mm	70mm



Code	BI197
Type	mortice
Knob	50mm
Rose	63mm sq
Projection	60mm

RIM KNOB SET



Code	BI210
Type	rim
Knob	44mm
Rose	50x70mm
Projection	70mm



Code	BI205	BI212	BI216
Type	mortice	mortice	rim
Knob	57mm	70mm	70mm
Rose	64mm	76mm	76mm
Projection	65mm	75mm	75mm

Knobs sets sold as a pair.

ESCUTCHEONS



BI311
30x46mm
Plain Finish



BI310
28x76mm



BI305
28x44mm



BI301
38mm dia



BI308
25x54mm



BI312
51mm dia
Oval



BI307
48x35mm
Plain Finish



BI302
38mm dia



BI300
41x50mm



BI303
30x45mm



BI304
32x45mm



BI313
51mm dia
Euro

Black Iron is supplied with screws.

KIRKPATRICK ~ LEVER HANDLES

DOOR LEVERS (SOLD AS A PAIR)



Code	BI228	BI229
Type	Lock	Latch
Plate	163x48mm	163x48mm
Projection	67mm	67mm



Code	BI224	BI225
Type	Lock	Latch
Plate	158x50mm	158x50mm
Projection	45mm	45mm



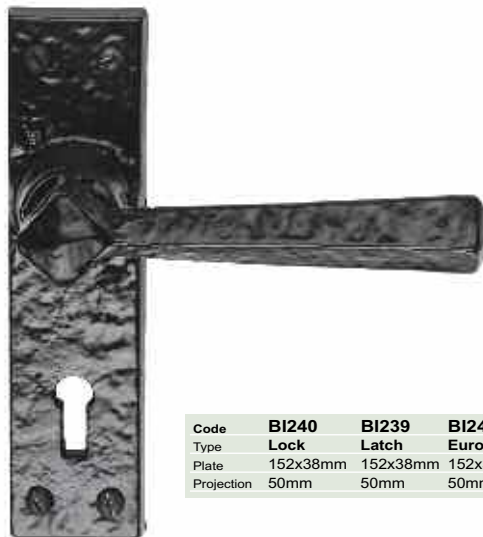
Code	BI245
Type	Latch
Plate	100x70mm
Projection	50mm
Plain Finish	



Code	BI226	BI227	BI226G
Type	Lock	Latch	Bathroom
Plate	190x55mm	190x55mm	190x55mm
Projection	60mm	60mm	60mm



Code	BI222K	BI223K
Type	Lock	Latch
Plate	152x38mm	152x38mm
Projection	60mm	60mm



Code	BI240	BI239	BI240E	BI240G
Type	Lock	Latch	Euro profile	Bathroom
Plate	152x38mm	152x38mm	152x38mm	152x38mm
Projection	50mm	50mm	50mm	50mm



Code	BI235
Type	Latch
Plate	50mm sq
Projection	47mm



Code	BI263
Type	Latch
Plate	50mm sq
Projection	67mm



Code	BI234
Type	Latch
Plate	50mm sq
Projection	64mm

Levers are sold as a pair

For information on selecting the appropriate lever handle type see page 35

KIRKPATRICK ~ HINGES

HINGES (SOLD SINGALLY)



Code	BI023	BI024	BI025	BI026
Length	305mm	229mm	381mm	457mm
Height	152mm	101mm	152mm	152mm

Hinge

Code	BI038	BI039	BI040
Length	305mm	381mm	457mm
Height	140mm	152mm	152mm

Hinge Fronts



Code	BI073	BI074	BI075
Length	305mm	381mm	457mm
Height	108mm	108mm	108mm

Hinge Plain Finish



Code	BI031
Length	420mm
Height	171mm



Code	BI020	BI019	BI013	BI017	BI018	BI021
Length	152mm	266mm	304mm	381mm	457mm	533mm
Height	63mm	101mm	101mm	101mm	101mm	101mm

Hinge

Code	BI049	BI050
Length	381mm	457mm
Height	101mm	101mm

Hinge Front



Code	BI041	BI042	BI043
Length	458mm	510mm	406mm
Height	120mm	120mm	108mm

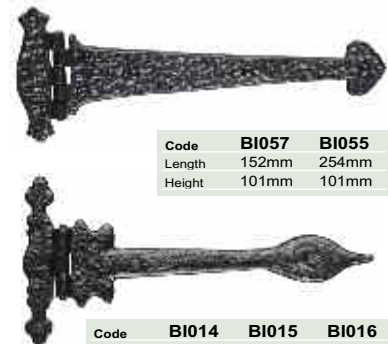


Code	BI022
Length	305mm
Height	114mm



Code	BI053	BI054	BI048	BI047
Length	660mm	483mm	406mm	304mm
Height	133mm	133mm	133mm	133mm

Band Hinge



Code	BI057	BI055
Length	152mm	254mm
Height	101mm	101mm

Code	BI014	BI015	BI016
Length	229mm	152mm	305mm
Height	114mm	88mm	114mm



Code	BI061	BI062	BI063
Width Open	101mm	127mm	152mm
Height	101mm	101mm	101mm

Parliament Hinge



Code	BI056
Width open	193mm
Height	186mm

Shutter Hinge
Sold as a pair (LH + RH)



Code	BI059
Width open	65mm
Height	172mm

H Hinge



Code	BI002
Width open	132mm
Height	95mm

Hinge

CABINET HINGES



Code	BI067	BI068	BI069
Width Open	57mm	51mm	45mm
Height	89mm	70mm	54mm

Snake Hinge



Code	BI012
Width open	73mm
Height	127mm

Snake Hinge



Code	BI060
Width open	41mm
Height	82mm

H Hinge



Code	BI066
Width open	89mm
Height	70mm

H Hinge



Code	BI072
Width open	45mm
Height	95mm

H Hinge

Hinges are sold singly unless specified.



Code BI568
 Handle 245mm
 For doors max 50mm thick
 Latch Length 203mm
 Staple 93mm
 Handle each side of door

Code BI578
 Size 100mm
 Privacy chain for thumb latches



Code BI560
 Handle 152mm
 For doors max 40mm thick
 Latch Length 114mm
 Staple 76mm
 Thumb Latch with Pin Lock

Code BI567
 Handle 203mm
 For doors max 45mm thick
 Latch Length 152mm
 Staple 76mm

Code BI561
 Handle 190x63mm
 For doors max 45mm thick
 Latch Length 150mm
 Staple 105mm



Code BI563
 Handle 178mm
 For doors max 45mm thick
 Latch Length 125mm
 Staple 70mm
 Wedge for locking Available plain finish

Code BI576
 Handle 195x44mm
 For doors max 50mm thick
 Latch Length 89mm
 Staple 35mm
 plain finish

Code BI59K
 Handle 196mm
 For doors max 50mm thick
 Latch Length 135mm
 Staple 110mm
 Thumb Latch with Pin Lock

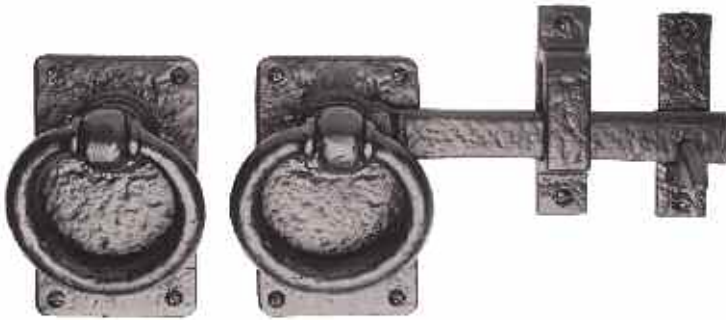


Code BI575
 Handle 175x35mm
 For doors max 40mm thick
 Latch Length 200mm
 Staple 76mm
 plain finish

Code BI570
 Handle 215x44mm
 For doors max 45mm thick
 Latch Length 240mm
 Staple 105mm
 plain finish

KIRKPATRICK ~ GATE LATCHES

GATE LATCHES



Code BI556
 Ring Handle 85mm
 Plate 76x127mm
 Projection 50mm
 Ring Handle Only

Code BI554 BI555
 Handle 85mm 85mm
 Length 203mm 254mm
 Plate 76x127mm 76x127mm
 Projection 50mm 50mm

Gate latch on ring Comes complete with two ring handles

Ring handles fit a standard 8mm spindle for use with strong sprung mortice locks. Can also be fitted to a gate latch.

RING HANDLES



Code BI550
 Handle 76mm
 Plate 50mm
 Projection 30mm
 Ring Handle Only

Code BI553
 Handle 76mm
 Plate 80mm
 Projection 36mm
 Ring Handle Only



Code BI577
 Length 152mm
 Staple 120mm
 Ring 75mm
 Projection 38mm

Gate latch on ring Comes complete with two ring handles

Code BI573
 Ring 75mm
 Projection 38mm
 Ring Handle Only



Code BI564
 Length 127mm
 Staple 95mm
 Ring 88mm
 Projection 43mm

Gate latch on ring Comes complete with two ring handles



Code BI558
 Length 203mm
 Staple 130mm
 Ring 102mm
 Projection 55mm

Gate latch on ring Comes complete with two ring handles



Code BI571
 Length 203mm
 Staple 120mm
 Projection 46mm
 Gate Latch



Code BI572
 Length 127mm
 Staple 95mm
 Projection 33mm
 Gate Latch



Code BI569LH BI569RH
 Length 80mm 80mm
 Staple 75mm 75mm
 Projection 16mm 16mm
 Hand Left Right
 Gate Latch (Left hand shown)



Code BI574
 Length 155mm
 Staple 97mm
 Projection 35mm
 Gate Latch

KIRKPATRICK ~ WINDOW FITTINGS

CASEMENT AND SASH WINDOW FITTINGS



Code BI405
 Plate 15x60mm
 Casement Turn (hook plate)



Code BI402
 Plate 75mm
 Projection 50mm
 Casement Turn (hook plate)



Code BI409
 Plate 98x70mm
 Projection 60mm
 Casement Turn (with mortice plate)



Code BI396
 Plate 60x25mm
 Projection 30mm
 Sash Lift



Code BI397
 Turn plate 72x20mm
 Keep Plate 66x14mm
 Projection 40mm
 Sash Fastener

FANLIGHT FITTINGS



Code BI435
 Length 73mm
 Width 46mm
 Fanlight Catch



Code BI436
 Length 200mm
 Width 75mm
 Fanlight Quadrant

Black Iron is supplied with screws.


KIRKPATRICK ~ WINDOW STAYS AND FASTENERS

CASEMENT FASTENERS

 <table border="1"> <tr><td>Code</td><td>BI404</td><td>BI407</td></tr> <tr><td>Type</td><td>LH</td><td>RH</td></tr> <tr><td>Plate</td><td>20x65mm</td><td>20x65mm</td></tr> <tr><td>Handle</td><td>100mm</td><td>100mm</td></tr> <tr><td>Projection</td><td>50mm</td><td>50mm</td></tr> </table> <p>Casement Fastener (mortice plate) Right hand illustrated</p>	Code	BI404	BI407	Type	LH	RH	Plate	20x65mm	20x65mm	Handle	100mm	100mm	Projection	50mm	50mm	 <table border="1"> <tr><td>Code</td><td>BI403</td></tr> <tr><td>Plate</td><td>19x58mm</td></tr> <tr><td>Handle</td><td>80mm</td></tr> <tr><td>Projection</td><td>40mm</td></tr> <tr><td>Mort plate</td><td>20x75mm</td></tr> </table> <p>Casement Fastener (mortice plate)</p>	Code	BI403	Plate	19x58mm	Handle	80mm	Projection	40mm	Mort plate	20x75mm	 <table border="1"> <tr><td>Code</td><td>BI408K</td></tr> <tr><td>Plate</td><td>19x58mm</td></tr> <tr><td>Handle</td><td>95mm</td></tr> <tr><td>Projection</td><td>40mm</td></tr> <tr><td>Mort plate</td><td>20x75mm</td></tr> </table> <p>Casement Fastener (mortice plate) Plain finish</p>	Code	BI408K	Plate	19x58mm	Handle	95mm	Projection	40mm	Mort plate	20x75mm	 <table border="1"> <tr><td>Code</td><td>BI412</td></tr> <tr><td>Plate</td><td>19x58mm</td></tr> <tr><td>Handle</td><td>90mm</td></tr> <tr><td>Projection</td><td>40mm</td></tr> <tr><td>Mort plate</td><td>20x75mm</td></tr> </table> <p>Casement Fastener (mortice plate)</p>	Code	BI412	Plate	19x58mm	Handle	90mm	Projection	40mm	Mort plate	20x75mm	 <table border="1"> <tr><td>Code</td><td>BI422</td><td>BI423</td></tr> <tr><td></td><td>65x19mm</td><td>75x20mm</td></tr> <tr><td></td><td>Hook plate</td><td>Mort plate</td></tr> </table>	Code	BI422	BI423		65x19mm	75x20mm		Hook plate	Mort plate
Code	BI404	BI407																																																								
Type	LH	RH																																																								
Plate	20x65mm	20x65mm																																																								
Handle	100mm	100mm																																																								
Projection	50mm	50mm																																																								
Code	BI403																																																									
Plate	19x58mm																																																									
Handle	80mm																																																									
Projection	40mm																																																									
Mort plate	20x75mm																																																									
Code	BI408K																																																									
Plate	19x58mm																																																									
Handle	95mm																																																									
Projection	40mm																																																									
Mort plate	20x75mm																																																									
Code	BI412																																																									
Plate	19x58mm																																																									
Handle	90mm																																																									
Projection	40mm																																																									
Mort plate	20x75mm																																																									
Code	BI422	BI423																																																								
	65x19mm	75x20mm																																																								
	Hook plate	Mort plate																																																								
 <table border="1"> <tr><td>Code</td><td>BI410</td></tr> <tr><td>Plate</td><td>19x58mm</td></tr> <tr><td>Handle</td><td>93mm</td></tr> <tr><td>Projection</td><td>40mm</td></tr> <tr><td>Mort plate</td><td>20x75mm</td></tr> </table> <p>Casement Fastener (mortice plate)</p>	Code	BI410	Plate	19x58mm	Handle	93mm	Projection	40mm	Mort plate	20x75mm	 <table border="1"> <tr><td>Code</td><td>BI428K</td></tr> <tr><td>Plate</td><td>19x58mm</td></tr> <tr><td>Handle</td><td>83mm</td></tr> <tr><td>Projection</td><td>36mm</td></tr> <tr><td>Mort plate</td><td>20x75mm</td></tr> </table> <p>Casement Fastener (mortice plate) plain finish</p>	Code	BI428K	Plate	19x58mm	Handle	83mm	Projection	36mm	Mort plate	20x75mm	 <table border="1"> <tr><td>Code</td><td>BI398</td><td>BI399</td></tr> <tr><td>Type</td><td>LH</td><td>RH</td></tr> <tr><td>Plate</td><td>17x56mm</td><td>17x56mm</td></tr> <tr><td>Projection</td><td>50mm</td><td>50mm</td></tr> <tr><td>Wedge</td><td>17x56mm</td><td>17x56mm</td></tr> </table> <p>Locking Wedge Fastener (right hand illustrated)</p>	Code	BI398	BI399	Type	LH	RH	Plate	17x56mm	17x56mm	Projection	50mm	50mm	Wedge	17x56mm	17x56mm	 <table border="1"> <tr><td>Code</td><td>BI395</td></tr> <tr><td>Plate</td><td>28x58mm</td></tr> <tr><td>Handle</td><td>95mm</td></tr> <tr><td>Projection</td><td>30mm</td></tr> <tr><td>Hook plate</td><td>20x56mm</td></tr> </table> <p>French Window Fastener (locking hook plate)</p>	Code	BI395	Plate	28x58mm	Handle	95mm	Projection	30mm	Hook plate	20x56mm										
Code	BI410																																																									
Plate	19x58mm																																																									
Handle	93mm																																																									
Projection	40mm																																																									
Mort plate	20x75mm																																																									
Code	BI428K																																																									
Plate	19x58mm																																																									
Handle	83mm																																																									
Projection	36mm																																																									
Mort plate	20x75mm																																																									
Code	BI398	BI399																																																								
Type	LH	RH																																																								
Plate	17x56mm	17x56mm																																																								
Projection	50mm	50mm																																																								
Wedge	17x56mm	17x56mm																																																								
Code	BI395																																																									
Plate	28x58mm																																																									
Handle	95mm																																																									
Projection	30mm																																																									
Hook plate	20x56mm																																																									

Casement fasteners are sold with a mortice plate unless specified. Please state if you need hook plates

CASEMENT STAYS

	<table border="1"> <tr><td>Code</td><td>BI424K</td><td>BI425K</td><td>BI426K</td><td>BI427K</td></tr> <tr><td>Nom length</td><td>381mm</td><td>305mm</td><td>254mm</td><td>203mm</td></tr> <tr><td>End plate</td><td>15x53mm</td><td>15x53mm</td><td>15x53mm</td><td>15x53mm</td></tr> <tr><td>Pin plate</td><td>10x45mm</td><td>10x45mm</td><td>10x45mm</td><td>10x45mm</td></tr> </table> <p>Plain Finish</p>	Code	BI424K	BI425K	BI426K	BI427K	Nom length	381mm	305mm	254mm	203mm	End plate	15x53mm	15x53mm	15x53mm	15x53mm	Pin plate	10x45mm	10x45mm	10x45mm	10x45mm
Code	BI424K	BI425K	BI426K	BI427K																	
Nom length	381mm	305mm	254mm	203mm																	
End plate	15x53mm	15x53mm	15x53mm	15x53mm																	
Pin plate	10x45mm	10x45mm	10x45mm	10x45mm																	
	<table border="1"> <tr><td>Code</td><td>BI429</td><td>BI430</td><td>BI431</td></tr> <tr><td>Nom length</td><td>254mm</td><td>305mm</td><td>350mm</td></tr> <tr><td>End plate</td><td>15x53mm</td><td>15x53mm</td><td>15x53mm</td></tr> <tr><td>Pin plate</td><td>10x45mm</td><td>10x45mm</td><td>10x45mm</td></tr> </table>	Code	BI429	BI430	BI431	Nom length	254mm	305mm	350mm	End plate	15x53mm	15x53mm	15x53mm	Pin plate	10x45mm	10x45mm	10x45mm				
Code	BI429	BI430	BI431																		
Nom length	254mm	305mm	350mm																		
End plate	15x53mm	15x53mm	15x53mm																		
Pin plate	10x45mm	10x45mm	10x45mm																		
	<table border="1"> <tr><td>Code</td><td>BI420K</td><td>BI421K</td><td>BI432K</td></tr> <tr><td>Nom length</td><td>254mm</td><td>305mm</td><td>203mm</td></tr> <tr><td>End plate</td><td>15x53mm</td><td>15x53mm</td><td>15x53mm</td></tr> <tr><td>Pin plate</td><td>10x45mm</td><td>10x45mm</td><td>10x45mm</td></tr> </table> <p>Plain Finish</p>	Code	BI420K	BI421K	BI432K	Nom length	254mm	305mm	203mm	End plate	15x53mm	15x53mm	15x53mm	Pin plate	10x45mm	10x45mm	10x45mm				
Code	BI420K	BI421K	BI432K																		
Nom length	254mm	305mm	203mm																		
End plate	15x53mm	15x53mm	15x53mm																		
Pin plate	10x45mm	10x45mm	10x45mm																		
	<table border="1"> <tr><td>Code</td><td>BI413</td><td>BI414</td></tr> <tr><td>Nom length</td><td>279mm</td><td>330mm</td></tr> <tr><td>End plate</td><td>15x53mm</td><td>15x53mm</td></tr> <tr><td>Pin plate</td><td>10x45mm</td><td>10x45mm</td></tr> </table>	Code	BI413	BI414	Nom length	279mm	330mm	End plate	15x53mm	15x53mm	Pin plate	10x45mm	10x45mm								
Code	BI413	BI414																			
Nom length	279mm	330mm																			
End plate	15x53mm	15x53mm																			
Pin plate	10x45mm	10x45mm																			
	<table border="1"> <tr><td>Code</td><td>BI415</td><td>BI416</td></tr> <tr><td>Nom length</td><td>254mm</td><td>304mm</td></tr> <tr><td>End plate</td><td>15x53mm</td><td>15x53mm</td></tr> <tr><td>Pin plate</td><td>10x45mm</td><td>10x45mm</td></tr> </table>	Code	BI415	BI416	Nom length	254mm	304mm	End plate	15x53mm	15x53mm	Pin plate	10x45mm	10x45mm								
Code	BI415	BI416																			
Nom length	254mm	304mm																			
End plate	15x53mm	15x53mm																			
Pin plate	10x45mm	10x45mm																			
	<table border="1"> <tr><td>Code</td><td>BI417</td></tr> <tr><td>Nom length</td><td>279mm</td></tr> <tr><td>End plate</td><td>15x53mm</td></tr> <tr><td>Glide plate</td><td>23x60mm</td></tr> </table>	Code	BI417	Nom length	279mm	End plate	15x53mm	Glide plate	23x60mm												
Code	BI417																				
Nom length	279mm																				
End plate	15x53mm																				
Glide plate	23x60mm																				
	<table border="1"> <tr><td>Code</td><td>BI418</td><td>BI419</td></tr> <tr><td>Nom length</td><td>305mm</td><td>254mm</td></tr> <tr><td>End plate</td><td>15x53mm</td><td>15x53mm</td></tr> <tr><td>Glide plate</td><td>23x60mm</td><td>23x60mm</td></tr> </table> <p>Plain Finish</p>	Code	BI418	BI419	Nom length	305mm	254mm	End plate	15x53mm	15x53mm	Glide plate	23x60mm	23x60mm								
Code	BI418	BI419																			
Nom length	305mm	254mm																			
End plate	15x53mm	15x53mm																			
Glide plate	23x60mm	23x60mm																			
 <p>Standard Pin</p>	<p>Stays are supplied with two standard pins each</p>	 <table border="1"> <tr><td>Code</td><td>BI434</td></tr> <tr><td>Plate</td><td>18x50mm</td></tr> </table> <p>Cranked Pin</p>	Code	BI434	Plate	18x50mm	 <table border="1"> <tr><td>Code</td><td>BI433</td></tr> <tr><td>Plate</td><td>18x48mm</td></tr> </table> <p>Locking Pin</p>	Code	BI433	Plate	18x48mm										
Code	BI434																				
Plate	18x50mm																				
Code	BI433																				
Plate	18x48mm																				

KIRKPATRICK ~ PULL HANDLES

DOOR PULLS



Code BI101
 Length 254mm
 Plates 38x67mm
 Projection 75mm



Code BI103
 Length 220mm
 Plates 58x53mm
 Projection 55mm



Code BI100
 Plate 345x73mm
 Projection 70mm



Code BI102
 Plate 380x50mm
 Projection 55mm



Code BI111
 Size 73x304mm



Code BI112
 Size 63x304mm



Code BI122
 Length 200mm
 Plates 45mm dia
 Projection 42mm



Code BI104K
 Length 203mm
 Plates 63mm
 Projection 45mm



Code BI108 BI109 BI110
 Length 255mm 185mm 160mm
 Plates 40x50mm 30x45mm 30x40mm
 Projection 55mm 45mm 40mm



Code BI463
 Length 127mm o/a
 Plates wide 14x30mm
 Projection 30mm



Code BI460 BI459 BI461
 Length 225mm 127mm 152mm
 Plates 65x70mm 26x30mm 35x37mm
 Project 50mm 35mm 35mm

FINGER PLATES

DOOR BOLT



Code BI517
 Length 520mm
 Plate 304x50mm
 Monkey Tail Bolt

DOOR BOLTS



Code BI502
 Type Straight
 Plate 203x50mm



Code BI504 BI505
 Type Straight Straight
 Plate 152x44mm 203x54mm
BI514 BI515 BI516
 Necked Straight Straight
 152x44mm 254x54mm 305x54mm
 Necked Bolt (illustrated)



Code BI500 BI501
 Type Straight Straight
 Plate 152x35mm 102x35mm

Code BI506
 Size 63x35mm
 Slide Bolt



Code BI519 BI518
 Type Straight Necked
 Plate 102x25mm 102x25mm
 Straight Bolt (illustrated)



Code BI507 BI508
 Type Straight Necked
 Plate 88x25mm 88x25mm
 Necked Bolt (illustrated)

Black Iron is supplied with screws.

KIRKPATRICK ~ CABINET FITTINGS AND COAT HOOKS

CUPBOARD KNOBS AND DROP HANDLES



Code BI473
Plate 42mm dia
Drop 58mm



Code BI476
Size 65x50mm
Cabinet Ring



Code BI482
Size 64x89mm
Flush Pull



Code BI483
Knob 25mm
Rose 38mm
Projection 35mm
Bolt Fix



Code BI479
Knob 38mm
Rose 38mm
Projection 30mm
Screw Fix



Code BI458
Size 25mm dia
Projection 23mm
Screw Fix



Code BI480
Size 95x32mm
Drawer Pull



Code BI467
Size 95x32mm
Drawer Pull



Code BI466
Size 107x60mm
Cabinet Handle



Code BI469
Size 51x117mm
Flush Pull

COAT HOOKS



Code BI378
Height 152mm
Hat & Coat Hook



Code BI382
Height 153mm
Hat & Coat Hook



Code BI379
Height 140mm
Hat & Coat Hook Plain Finish



Code BI381
Height 64mm
Double Coat Hook



Code BI383
Height 55mm
Single Hook



Code BI385
Height 83mm

CABIN HOOKS



Code BI392 BI393 BI394
Length 305mm 381mm 457mm
Plate 38x52mm 38x52mm 38x52mm

BATHROOM INDICATOR BOLT



Code BI513
Dial 70mm dia
Latch o/a 65x75mm



Code BI512
Comes with 5mm sq spindle
Plate 35mm dia
Projection 37mm

Knob Turn and Release
Square spindle fits bathroom
locks with 5mm followers

SHUTTER BAR AND LOCKING BAR



Code BI454
Size o/a 305x38mm
Shutter Bar
Plain finish



Code BI455
Size 203x38mm
Locking Bar & Staple
Plain finish



Code BI457
Size 155x51mm
Locking Bar & Staple
Plain finish