

KARCHER DESIGN ~ STAINLESS STEEL



Formed in 1991 this German company has brought affordable modern door furniture to the marketplace. Karcher has established a range of stainless steel and brass based fittings to suit both developer and domestic clients alike. With their keen eye for style and smart lead-times, Karcher have established themselves as the manufacture to choose when selecting contemporary hardware.

FRONT DOOR FURNITURE



Code	TC218	TC219
Size o/a	305x110mm	385x135mm
Aperture	220x50mm	295x65mm
Bolts/c (adjustable)	246 to 286mm c/c	328 to 363mm c/c
Finish	Stainless steel	

Stainless Steel Letter Plate with Adjustable Fixings



Code	TC211
Type	Mortice
Knob	70mm
Projection	72mm
Finish	SSS

Stainless Steel Centre Door Knob (fixed)



Code	TC222
Height x Width	426x370mm
Depth	120mm
Slot size	340x35mm
Finish	SSS

Stainless Steel Letter Box



Code	AM166
Size	75x28mm
Finish	SSS

Bell Push



Code	TC226 TC227
Size high	100mm 150mm
Finish	SSS

Stainless Steel Numerals

Code	TC224 TC225
Size high	150mm 100mm
Finish	SSS

Stainless Steel Letters a,b,c,d Only

TOILET SYMBOLS



Code	BN237
Size	100x57mm
Finish	SSS

Disabled Symbol



Code	BN235
Size	120x38mm
Finish	SSS

Male Symbol



Code	BN236
Size	120x51mm
Finish	SSS

Female Symbol



Code	BN238
Size	116x84mm
Finish	SSS

No Mobile Use



Code	BN220
Size	76mm dia
Finish	SSS

Male Symbol



Code	BN221
Size	76mm dia
Finish	SSS

Female Symbol

See front pages for full details on all finishes and how to order.

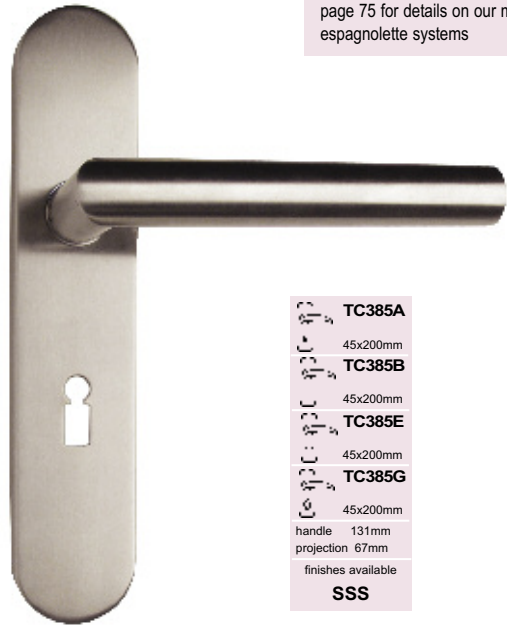
KARCHER DESIGN ~ STAINLESS STEEL

LEVER HANDLES

These Karcher lever handles can also be supplied unsprung at 92mm centres to suite our mortice espagnolette bolts, see page 75 for details on our mortice espagnolette systems



TC382A
47x242mm
TC382B
47x242mm
TC382E
47x242mm
TC382G
47x242mm
handle 134mm
projection 63mm
finishes available
Dual Finish
CP/SN
PB/SB
SS/PB



TC385A
45x200mm
TC385B
45x200mm
TC385E
45x200mm
TC385G
45x200mm
handle 131mm
projection 67mm
finishes available
SSS

MORTICE DOOR KNOBS



Code	TC205
Knob	60mm
Rose	60mm
Projection	58mm
Finish	SSS-PSS
Dual Finish	PB/SB- SSS/PB- SSS/PSS

Mortice Knobset
also available in dual finish



Code	AV115
Knob	54mm
Rose	52mm
Projection	55mm
Finish	CP-SCP-SNP
Dual Finish	PB/SS- CP/SCP- SSS/PSS

Mortice Knobset
also available in dual finish

DOOR STOPS AND PULL HANDLES



Code	TA670 TA671
Size	90x30mm 90x60mm
Finish	SSS

Floor Door Stop
Not fixed



Code	TA674
Projection	80mm
Finish	SSS

Wall mounted door stop



Code	TC201
Size o/a	335mm
Bolts c/c	300mm
Finish	SSS

New York



Code	TC200
Size o/a	335mm
Bolts c/c	300mm
Finish	SSS

Florence

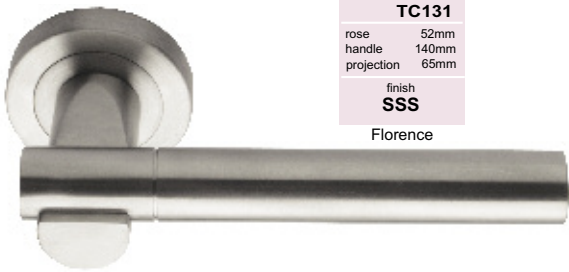


Code	TC199
Size o/a	335mm
Bolts c/c	300mm
Finish	SSS

Verona

For information on selecting the appropriate lever handle type see page 35

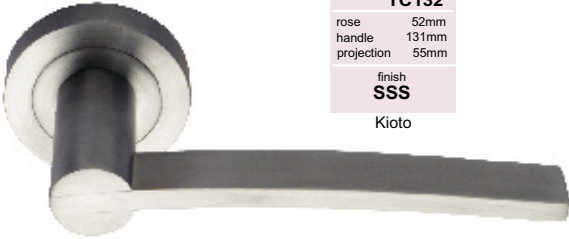
KARCHER DESIGN ~ STAINLESS STEEL LEVER HANDLES



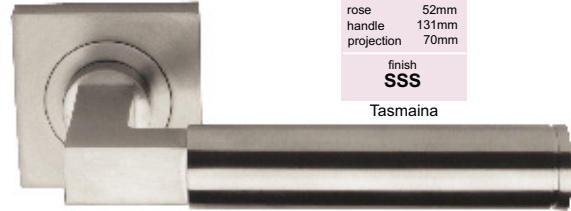
TC131
 rose 52mm
 handle 140mm
 projection 65mm
 finish **SSS**
 Florence



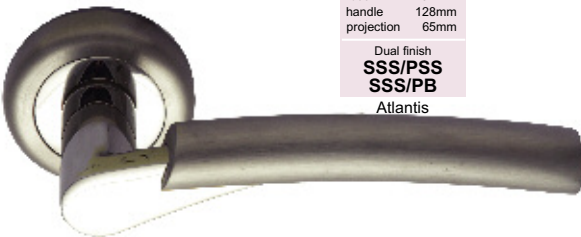
TC136
 rose 52mm
 handle 128mm
 projection 65mm
 finish (dual) **SSS-PSS**
SSS/PSS
 Verona



TC132
 rose 52mm
 handle 131mm
 projection 55mm
 finish **SSS**
 Kioto



TC370
 rose 52mm
 handle 131mm
 projection 70mm
 finish **SSS**
 Tasmania



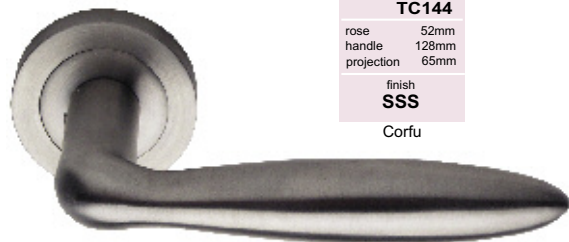
TC137
 rose 52mm
 handle 128mm
 projection 65mm
 Dual finish **SSS/PSS**
SSS/PB
 Atlantis



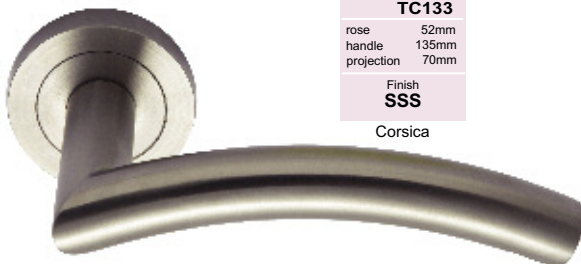
TC134
 rose 52mm
 handle 131mm
 projection 70mm
 Dual finish **SSS/PSS**
 New York



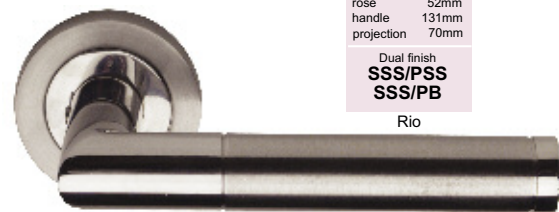
TC135
 rose 52mm
 handle 136mm
 projection 65mm
 Dual finish **SSS and PSS**
 Cuba



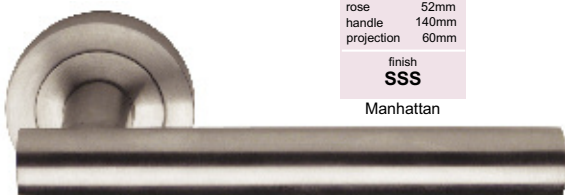
TC144
 rose 52mm
 handle 128mm
 projection 65mm
 finish **SSS**
 Corfu



TC133
 rose 52mm
 handle 135mm
 projection 70mm
 Finish **SSS**
 Corsica



TC170
 rose 52mm
 handle 131mm
 projection 70mm
 Dual finish **SSS/PSS**
SSS/PB
 Rio



TC139
 rose 52mm
 handle 140mm
 projection 60mm
 finish **SSS**
 Manhattan



TC311
 rose 52mm
 handle 128mm
 projection 65mm
 Dual finish **SSS/PSS**
 Porto



Code TC228
 Diameter 52mm
 Projection 10mm
 Dual Finish **SSS/PSS**
 Keyway Escutcheon



Code TC234
 Diameter 52mm
 Projection 10mm
 Keyway **SSS/PSS**
 Keyway Escutcheon



Code TC251
 Diameter 52mm
 Projection 10mm
 Finish **SSS**
 Keyway Escutcheon

Euro profile escutcheon's in the same also available

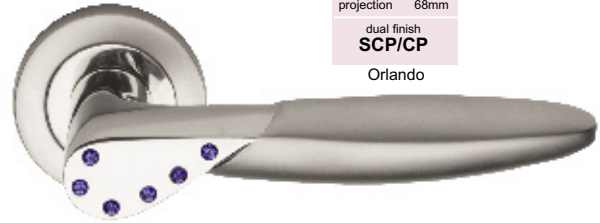
See front pages for full details on all finishes and how to order.

KARCHER DESIGN ~ STAINLESS STEEL LEVER HANDLES



TC140
 rose 52mm
 handle 132mm
 projection 68mm
 dual finish
SCP/CP

Orlando



TC171
 rose 52mm
 handle 132mm
 projection 68mm
 dual finish
SCP/CP

Orlando



TC143
 rose 52mm
 handle 132mm
 projection 60mm
 dual finish
SSS/CP
SSS/PB

Starlight



TC115
 rose 52mm
 handle 119mm
 projection 60mm
 finish
PB-CP-SCP
PSS/SSS

Gent



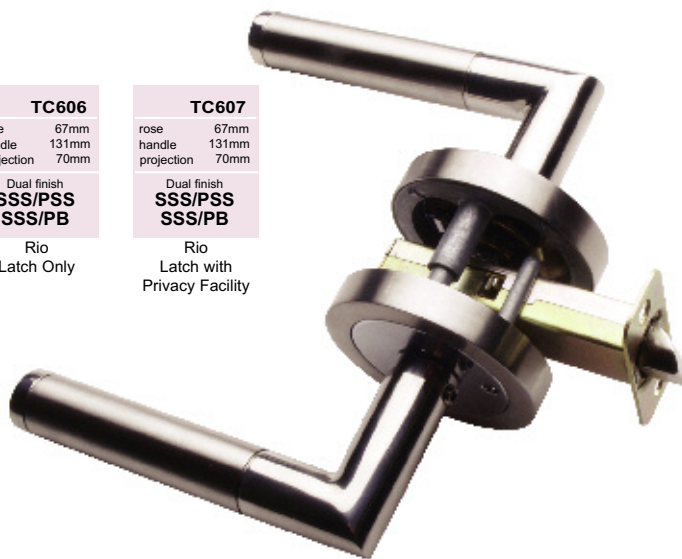
TC325
 rose 52mm
 handle 138mm
 projection 68mm
 dual finish
SSS/CP
SSS/PB

Venice



TC330
 rose 52mm
 handle 150mm
 projection 56mm
 dual finish
SCP/CP
SB/PB

Antalya



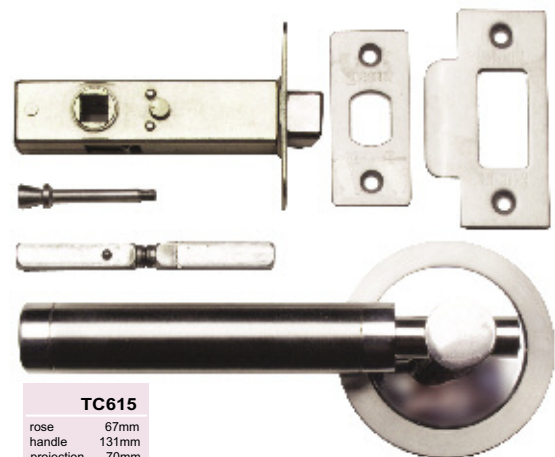
TC606
 rose 67mm
 handle 131mm
 projection 70mm
 Dual finish
SSS/PSS
SSS/PB

Rio
 Latch Only

TC607
 rose 67mm
 handle 131mm
 projection 70mm
 Dual finish
SSS/PSS
SSS/PB

Rio
 Latch with
 Privacy Facility

Karcher passage and privacy lever sets have been designed for the American market and in particular doors that have been pre-bored for mortice locks and latches. The standard backset is 60mm and will accommodate doors that have been pre-drilled with a hole diameter of 57mm.



TC615
 rose 67mm
 handle 131mm
 projection 70mm
 Dual finish
SSS/PSS

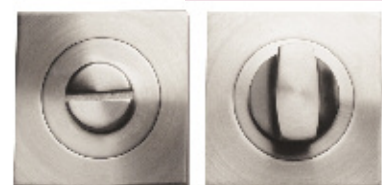
New York
 Latch with
 Privacy Facility



Code **TC243**
 Diameter 52mm
 Projection 36mm
 Finish **SSS or SSS/PSS**



Code **TC242**
 Diameter 52mm
 Projection 36mm
 Finish **SSS/PSS**



Code **TC253**
 Diameter 52mm
 Projection 36mm
 Finish **SSS**

Disabled emergency turn and release also available

Lever handles are sold as a pair

See pages 79-86 for compatible locks

For information on selecting the appropriate lever handle type see page 35