

Architectural Subframe & Casement Windows



Metal Technology



The Metal Technology Architectural Subframe System is a complete thermally-broken framing and casement system with minimal fabrication, for all commercial and domestic applications. It comprises 75mm and 105mm options offering complete flexibility on all possible design applications.





System 11 Architectural Subframe

- ▲ Belfast Design Centre
- ◀ Office Development, Belfast



▲ Furnival Court, Sheffield

Introduction

The two basic systems are 75 x 30mm and 105 x 30mm. The 75 x 30mm system offers a solution between a domestic subframe and a shop front system while the 105 x 30mm system offers a mini curtain walling option, giving economy with the required strength. A variety of corner sections enable 90° and 135° corners to be formed. A snap-in back plate is available for multi-module frames and all transom and mullion configurations.

A lightweight transom section is also available for smaller frames. All fixed frame glazing is directly glazed into the subframe with up to a 28mm glazing unit. The system, in conjunction with the patent glazing system also offers a multi-module, thermally-broken conservatory system.

Construction

Frame members are square cut shaped and fixed securely to the frame by means of stainless steel screws driven into screw grooves in the section. All frame joints are sealed during construction against entry of water. Intermediate mullion and transom bars are similarly square cut and fitted. Extruded plastic weather strips and glazing gaskets are provided to resist the ingress of water.

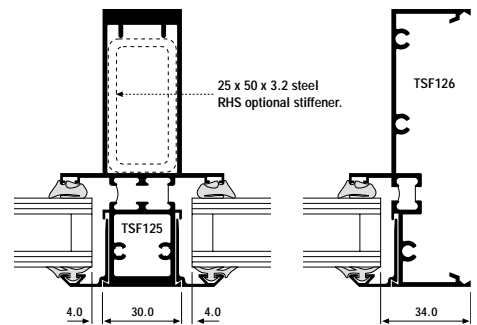
Size Limits

The height of the bars is limited by the exposure of the site and the loading charts should be consulted together with wind loading assessment data. For maximum vent sizes the relevant Metal Technology literature should be consulted.

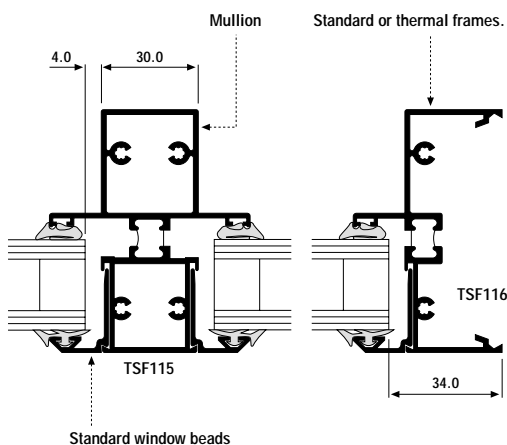
Opening Vents

Details and specification for the opening vents can be found in the relevant Metal Technology literature.

Architectural Subframe 105 x 30mm System



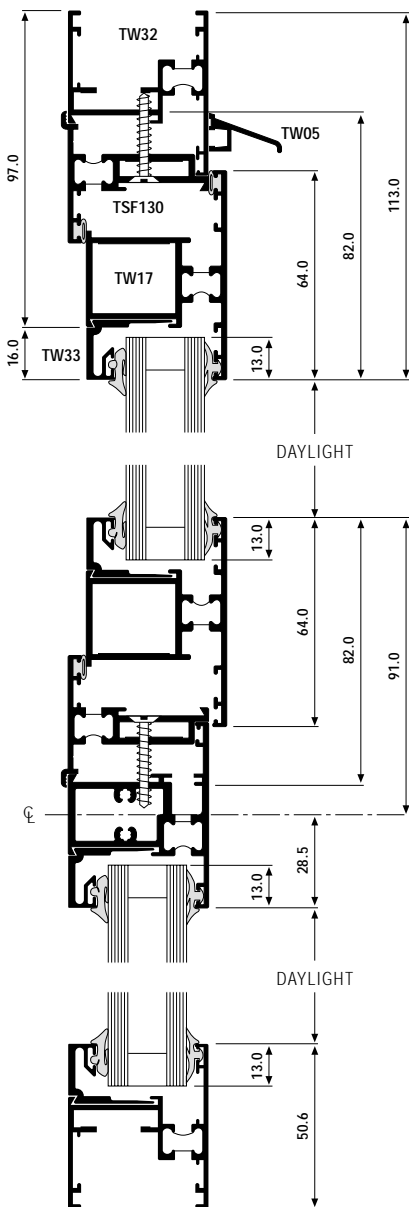
Architectural Subframe 75 x 30mm System





System 4 Casement Window

▲ Slieve Donard Hotel, Newcastle



The Metal Technology Casement Window has been designed to offer maximum flexibility to the user, permitting combinations with other Metal Technology Systems, particularly the Low Rise Curtain Wall System and the Architectural Subframe System.

Introduction

The system offers a wide range of outer frames and vents offering both internally and externally glazed solutions from single glaze to 28mm glazing. There are also a number of mullion/transom options available ranging from the "heritage" slimline mullion which is ideal for replacement of steel windows with a sight line of 33mm to the deep mullion at 103mm. A mullion tube for angle and bay front applications is also available.

Size Limits

Medium Duty Casement Range

	Vent Height	Vent Width	Vent Weight
Side Hung	1300	600	24 Kg
Top Hung	1200	1200	35 Kg

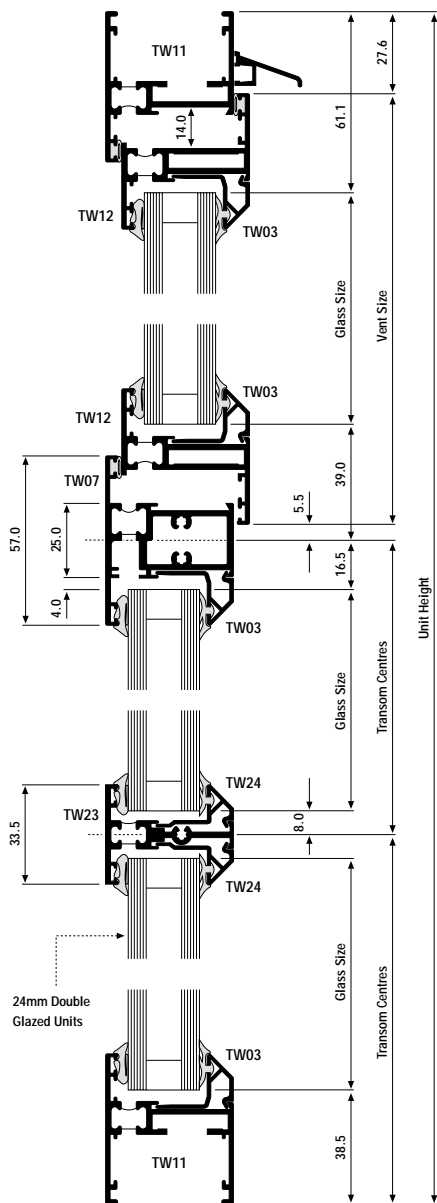
Heavy Duty Casement Range

	Vent Height	Vent Width	Vent Weight
Side Hung	1500	800	52 Kg
Top Hung	1300	1600	74 Kg

Sizes are based on the use of Securistyle friction hinges.



Design the Central Focus



▲ Merchants Warehouse, Manchester

Construction

Frame members are cut at 45°, corners are reinforced with extruded aluminium crimping cleats and stainless steel corner braces, and a secure joint is formed by mechanical crimping into the extruded crimping cleat.

Intermedial mullions and transom bars are square cut shaped and fixed securely to the frame by means of stainless steel screws driven into screw grooves in the section. All frame joints are sealed during construction against entry of water. Extruded plastic weather strips and glazing gaskets are provided to resist the ingress of water.

Quality through commitment

Materials

Aluminium profiles are extruded from aluminium alloy 6063T6, T5 or T4 complying with the recommendations of BS1474. Where sections have a thermal break, this is polyurethane.

Finishes

Either range of sections can be provided in any of the following ranges of finishes:

1. Anodised to BS1615 or BS3987
2. Liquid organic coated to BS4842
3. Powder organic coated to BS6496

Glazing

Glass is set against a co-extruded (PVC Nitrile) gasket externally which is fitted to the beads (except inside glazed option) and an extruded colour coded wedge internally. Setting blocks and location pieces are fitted in accordance with BS6262 in order to ensure the windows are maintained square and rigid.

Performance

All windows have been tested to provide Class III weather tightness as defined by BS6375 pt.1 and BS4873.

Development

Our policy is to continually research the market for new and improved products. We must therefore retain the right to amend specifications without prior notice. It is recognised at Metal Technology that in some instances special sections may be required for particular projects. When this occurs it may be possible to produce special sections subject to there being sufficient quantity and adequate time.

Protection and Cleaning

The windows should be properly protected during transport to site. When fixing and glazing it is important to ensure that they are not damaged by scratching or the effects of alkali chemicals such as mortars or concrete residue. Care should also be taken to ensure windows are not misused on site once they have been fixed.

Product Range

Curtain Walling Systems

Roof Glazing

Dual Colour Top Swing Window
Dual Colour Tilt Turn Window
Dual Colour Casement Window
Dual Colour Commercial Doors

Thermal Architectural Subframe

Thermal Casement Window
Thermal Pivot Window
Thermal Tilt Turn Window
Thermal Top Swing Window
Thermal Vertical Sliding Window

Ground Floor Treatments

Commercial Entrance Doors
Box and Bead System
Patent Glazing System
Secondary Glazing
Residential and Patio Doors



Metal Technology

Architectural Aluminium

Metal Technology Limited

Steeple Road Industrial Estate,
Steeple Road, Antrim BT41 1AB
Northern Ireland

Tel: 01849 487777 Fax: 01849 487878

www.metalltechnology.com

Email: sales@metalltechnology.com

