

NBS Specification

L10 - Windows / Rooflights / Screens / Louvres
460 - Rooflights

Manufacturer : Whitesales Europa House Alfold Road Cranleigh GU6 8NQ
Tel 01483 271371 Fax 01483 271771 E-mail sales@whitesales.co.uk

Product Reference : Em-Dome and Em-Curb

Type : Dome

Size : Specify from Product literature

Frame : Screwbolt - High security

Kerb : Em-Curb PVCu 150v. Height 150mm

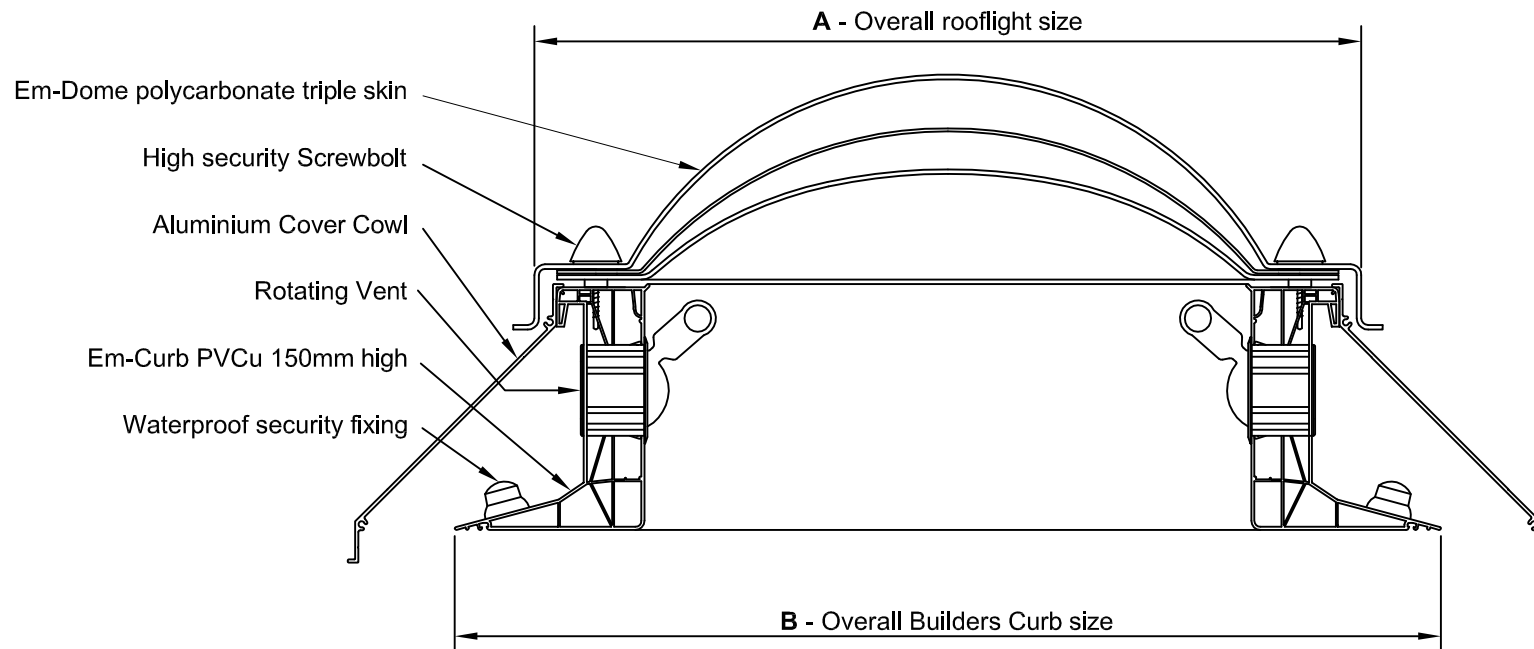
Material : PVCu - white self finish

Glazing details : Polycarbonate triple skin

Finish : Specify from Product literature

Other requirements : Rotating vents fitted to two sides of Em-Curb and aluminium cover cowl

Fixing : Please consult Whitesales for recommendations



WHITESALES

DRG No 1723

Em-Dome polycarbonate triple skin rooflight
complete with vertical Em-Curb PVCu 150mm high
and rotating vents fitted to two sides
installed to waterproofed builders curb