

NBS Specification

L10 - Windows / Rooflights / Screens / Louvres
460 - Rooflights

Manufacturer : Whitesales Europa House Alfold Road Cranleigh GU6 8NQ
Tel 01483 271371 Fax 01483 271771 E-mail sales@whitesales.co.uk

Product Reference : Em-Vent 140°

Type : Dome

Size : *Specify from Product literature*

Frame : Screwbolt - High security

Kerb : Em-Curb PVCu 150v. Height 150mm

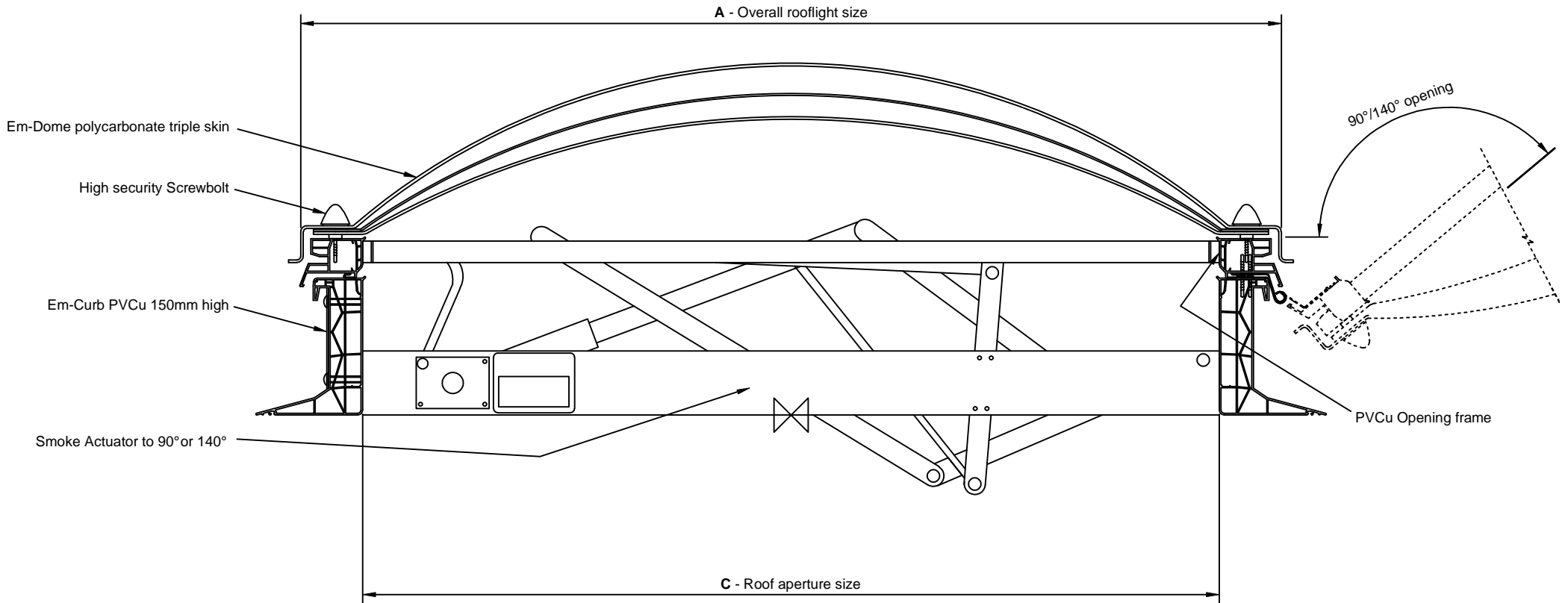
Material : PVCu - white self finish

Glazing details : Polycarbonate triple skin

Finish : *Specify from Product literature*

Other requirements : PVCu opening frame for smoke ventilation
by electric actuator to 90° or 140°

Fixing : Please consult Whitesales for recommendations



WHITESALES

DRG No 2633

Em-Dome polycarbonate triple skin rooflight
complete with vertical Em-Curb PVCu 150mm high and
PVCu opening frame for smoke ventilation by electric actuator to 90° or 140°
installed to prepared roof aperture