

NBS Specification

L10 - Windows / Rooflights / Screens / Louvres
460 - Rooflights

Manufacturer : Whitesales Europa House Alfold Road Cranleigh GU6 8NQ
Tel 01483 271371 Fax 01483 271771 E-mail sales@whitesales.co.uk

Product Reference : Em-Vent 140°

Type : Dome

Size : Specify from Product literature

Frame : Screwbolt - High security

Kerb : Em-Curb PVCu 300s. Height 300mm

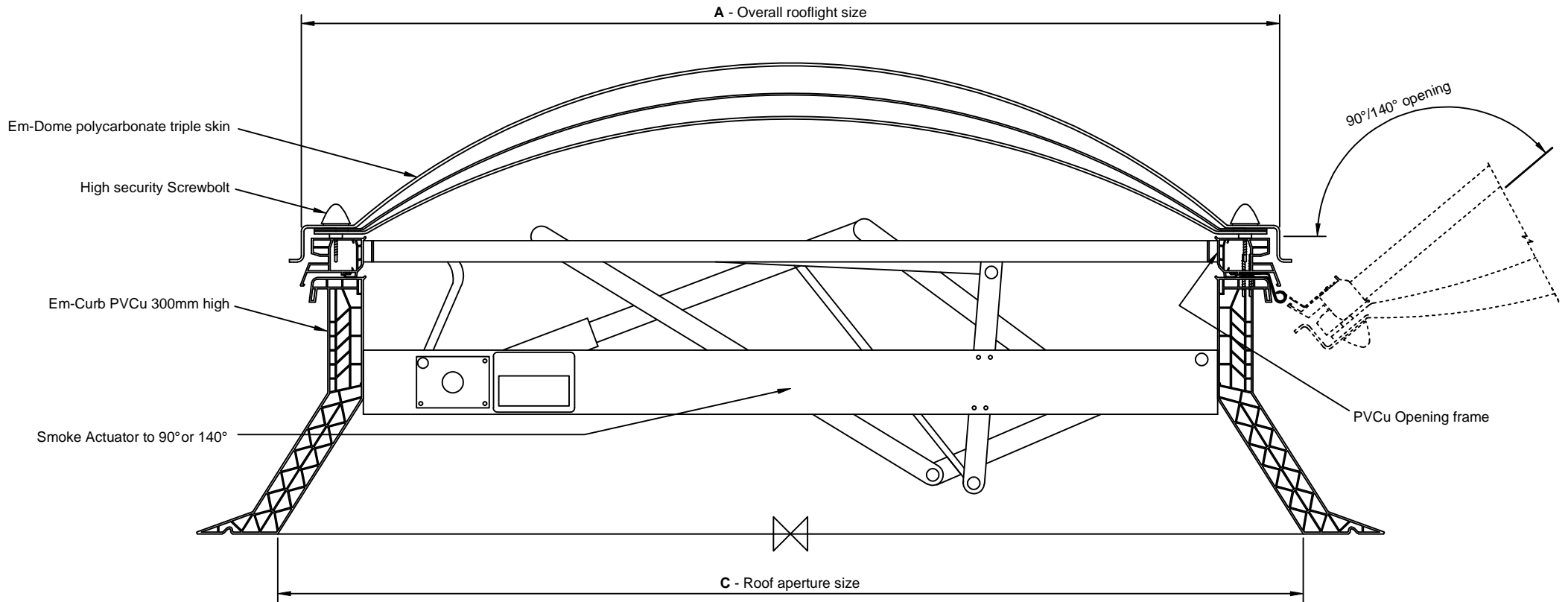
Material : PVCu - white self finish

Glazing details : Polycarbonate triple skin

Finish : Specify from Product literature

Other requirements : PVCu opening frame for smoke ventilation by electric actuator to 90° or 140°

Fixing : Please consult Whitesales for recommendations



WHITESALES
DRG No 2653

Em-Dome polycarbonate triple skin rooflight
complete with splayed Em-Curb PVCu 300mm high and
PVCu opening frame for smoke ventilation by electric actuator to 90° or 140°
installed to prepared roof aperture