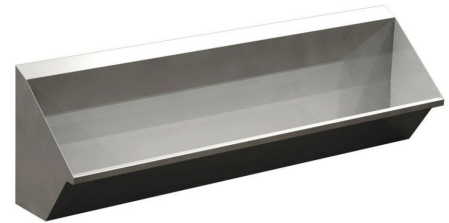


STAINLESS STEEL SCRUB UP TROUGH

3 Station

AC05-010

Scrub-up troughs are an essential piece of hospital equipment to enable one or more surgeons and nurses to scrub their hands and forearms. This range was specifically designed in accordance with the stringent HTM 64 guidelines and is also compliant with the new (HBN) 00-10, Part C document.



PRODUCT NUMBER

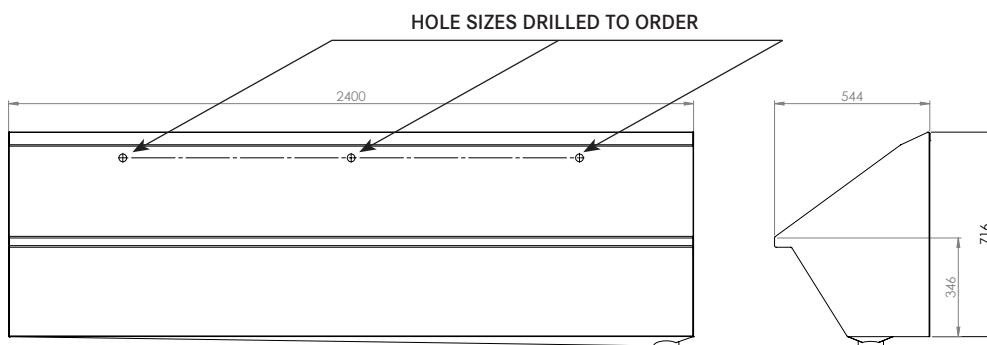
AC05-010

TECHNICAL DATA

Material	316 Stainless Steel
Overall dimensions	2400 (w) x 716 (h) x 544 (d)
Type of mounting	Wall mounted via mounting brackets (3 x required)
Waste outlet	1 1/2"

Additional features

Tap holes drilled to order
Requires trap cover
Available in LH & RH drainage options



ALL DIMENSIONS IN MM

Last updated:
2016-11-23, Dart Valley Systems

DVS
Dart Valley Systems
a FRANKE company