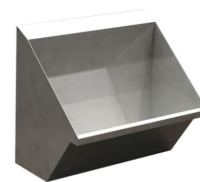


STAINLESS STEEL SCRUB UP TROUGH

Single Station

AC05-012

Scrub-up troughs are an essential piece of hospital equipment to enable one or more surgeons and nurses to scrub their hands and forearms. This range was specifically designed in accordance with the stringent HTM 64 guidelines and is also compliant with the new (HBN) 00-10, Part C document.



PRODUCT NUMBER

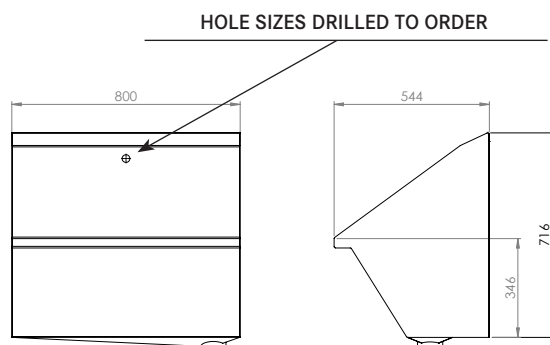
AC05-012

TECHNICAL DATA

Material	316 Stainless Steel
Overall dimensions	800 (w) x 716 (h) x 544 (d)
Type of mounting	Wall mounted via mounting brackets (2 x required)
Waste outlet	1 1/2"

Additional features

Tap holes drilled to order
Requires trap cover
Available in LH & RH drainage options



Last updated:
2016-11-23, Dart Valley Systems

DVS
Dart Valley Systems
a FRANKE company

ALL DIMENSIONS IN MM