



NEW THINKING FOR  
CYCLE PARKING

# ACCP Street Bicycle Parking System

## ACCP Street Advanced Compact Cycle Parking

### Product Details and Specification

#### Product Description:

Designed for Public and Amenity spaces, the ACCP system provides Advanced Compact Cycle Parking for cyclists and ensures a flexible, long term, cost effective solution for the buyer.

#### Overview:

1 to 4 bike modules provide individual SOFTDOCK parking bays with secure single point locking via retractable lock arm. The space efficient modules have clear sight lines with no void spaces. The ACCP street cycle parking system is next generation 4r compliant, public bicycle parking.

#### Benefits:

- Ergonomic Bike Hugging Parking
- Secure Single Point Locking
- No Voids, Clear Sight lines
- Space Efficient & High Density
- Fast Efficient Installation
- Long Life, Low Maintenance
- 4R Compliant

#### Features:

- SOFTDOCK Bike Diaphragm
- Armoured Retractable Locking Arm
- Tough Galvanized Steel Construction
- Colour and Graphic Options
- 4 Bike Module Single Ground Fixing
- Optional Advertising Panels

#### Materials:

- Galvanized Steel Plate, Tube and Box
- Unique SOFTDOCK technology

#### Components & Finishing:

- Galvanised & zinc plated steel
- Powder coated locking handle
- High security galvanised fixings

#### Colours:

- See manufacturers available range



#### Product Variations:

- Single line and back to back variations

#### Product Dimensions:

- 995mm wide x 1565mm deep x 1005mm high (Spacings can vary to need)

#### Product Life:

- 30 Year nominal design life expectancy

#### Environmental Info:

- 4r compliant (Relocate Renovate Reuse Recycle)
- Manufactured and assembled in the UK.

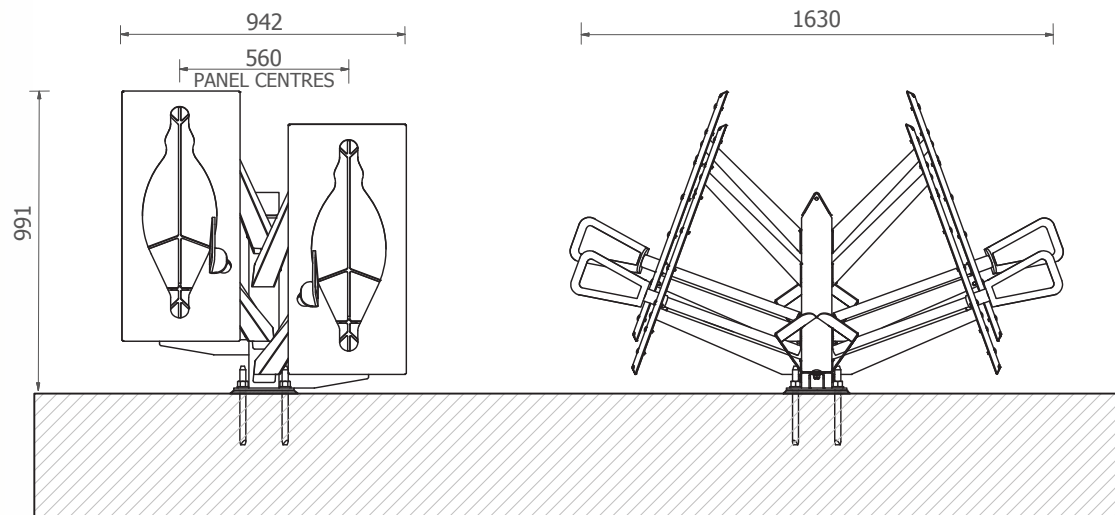
#### Installation:

- Single point to ground per 4 bike module.
- Removable without damage to unit or ground

Installation should be carried out by H-B Designs or qualified contractors to H-B Designs specifications and standards.

Integrates with *TrackPave* (sustainable wearing surface) SUDS compliant base and H-B Designs cycle shelter systems.

Suitable for use with H-B Designs pre-cast foundations



Address:  
The Big Barn  
14 Greengate Road  
Wedhampton  
Devizes  
Wiltshire  
SN10 3QB

Contact:  
01380 840 819  
team@hbdesigns.co.uk  
[www.hbdesigns.co.uk](http://www.hbdesigns.co.uk)