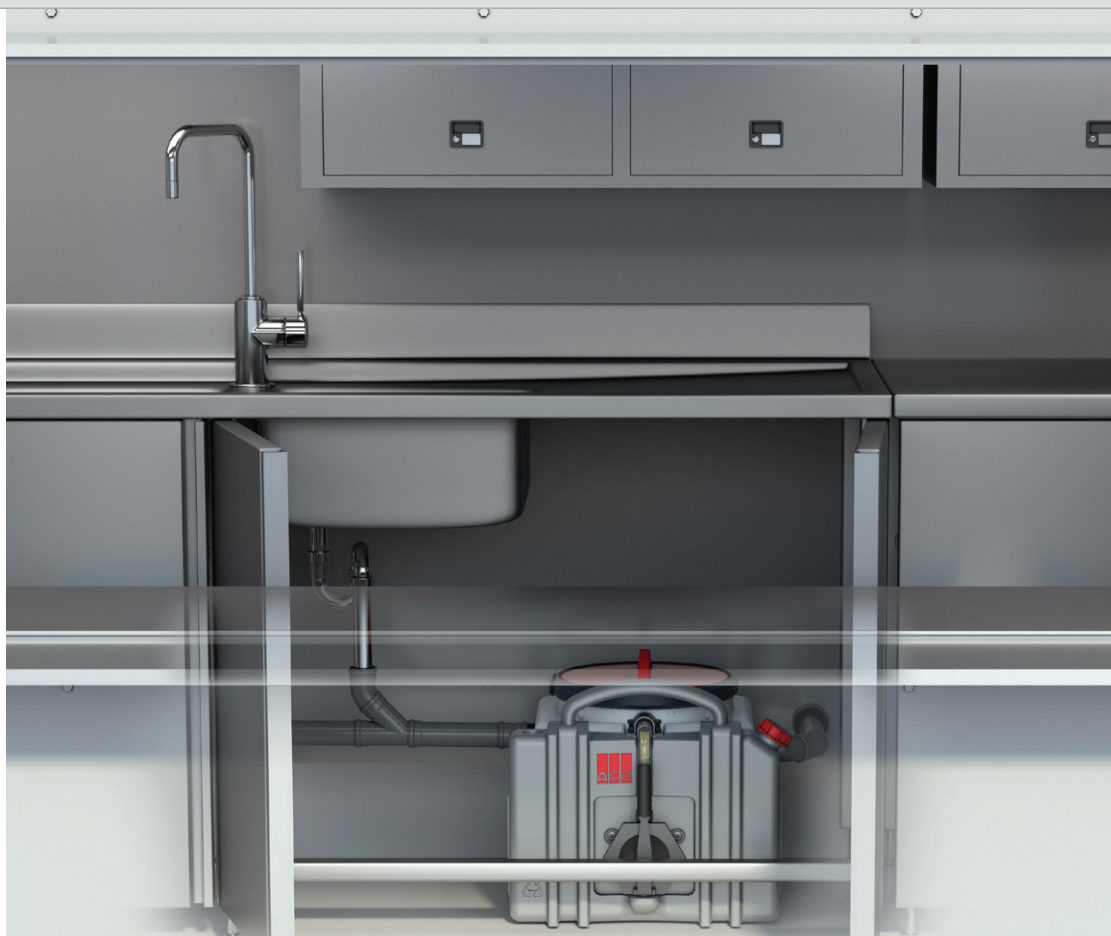


ACO Grease Separator LipuMobil-P



Product Catalogue

**ACO Grease Separator LipuMobil-P NS 0.8
for flexible installation**



ACO Grease Separator LipuMobil-P

Grease separator LipuMobil-P NS 0.8 for flexible installation.



Why Grease Management?

Commercial kitchens and food preparation areas create waste water containing fats, oils and grease (FOG) and food debris. If they remain in the waste water stream, it impacts the performance of the kitchen's internal and external drainage system by blocking the pipes. If left untreated, the

FOG has a major impact on society causing blockages (Fatbergs) in the sewer system and reducing the sewage treatment plant's efficiency.

By implementing an effective grease management system the kitchen operator not only plays a critical role in the

protection of our environment but also improves the kitchen's performance by preventing internal blockages and unwanted odours.

Introducing the ACO Grease Separator LipuMobil-P

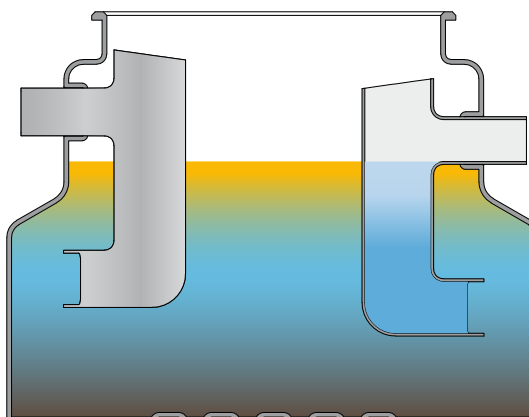
The content of a regular mobile grease separator has to be emptied through manual skimming. When the cover is removed unpleasant odours can escape.

The new ACO LipuMobil-P grease separator is also available with a removable, external grease storage tank.

The integrated discharge pump in the external grease storage tank allows grease extraction from the separator. It is not required to open the cover to extract the grease. The storage tank can store up to 10 litres of grease.

When the maximum capacity has been reached, the storage can easily be removed from the separator, and the extracted grease can be stored in a larger, collecting tank.

When the separator is installed using flexible pipes, optional wheels, which



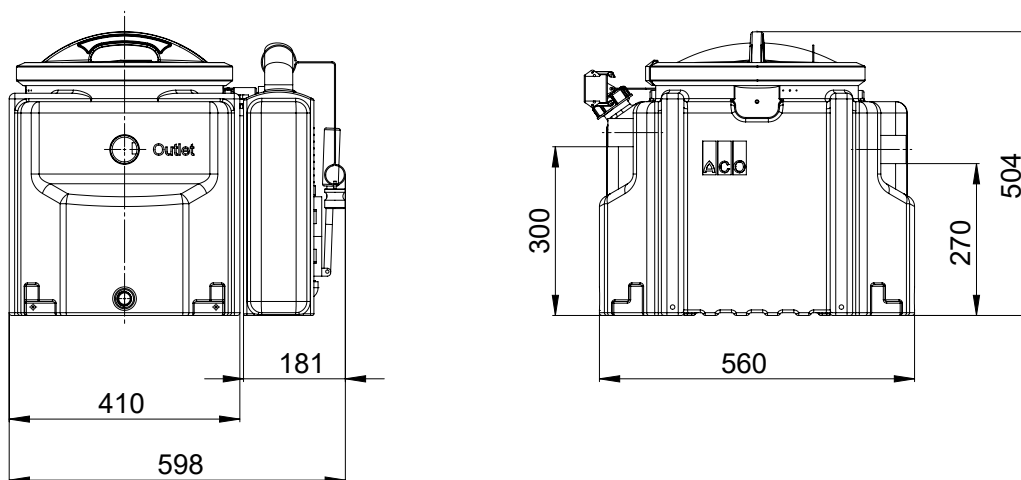
can be mounted onto the bottom of the separator make it easy to remove from its location. The separator can then be easily transported to a designated disposal area.

ACO grease separator LipuMobil-P NS 0.8 (NS tested according to

EN 1825) from polyethylene is suitable for:

- Free-standing installation
- In frost-proof areas

Products and Accessories



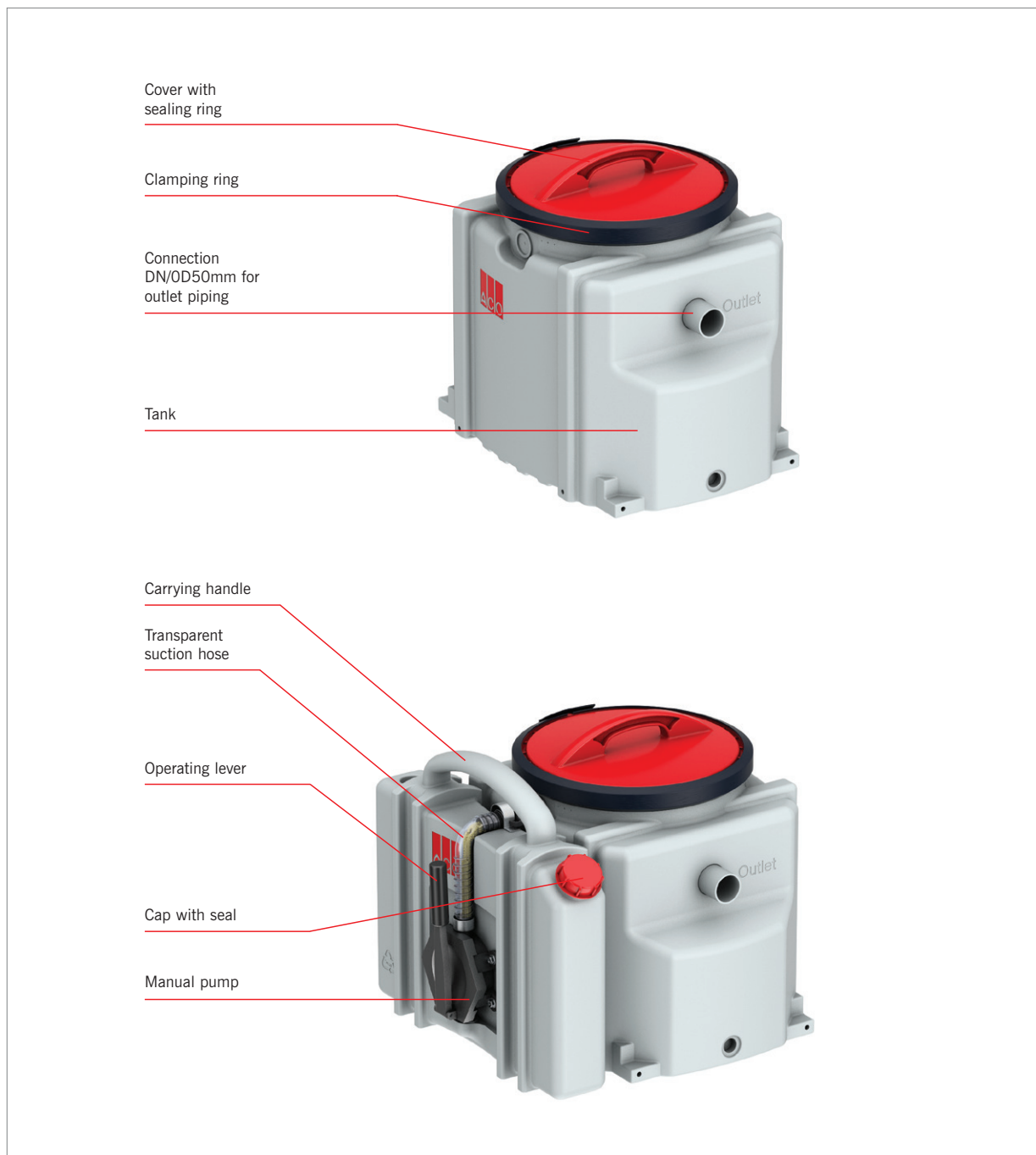
Product Type
LipuMobil-P without grease storage tank
LipuMobil-P with grease storage tank (operating side right)
LipuMobil-P with grease storage tank (operating side left)

Accessories

	Description
	<ul style="list-style-type: none"> Set of wheels consisting of four wheels, two with manual stoppers for tank fixation
	<ul style="list-style-type: none"> Extraction valve for tank discharge
	<ul style="list-style-type: none"> Collecting tank, 60 litres capacity, odour-proof with fastening ring
	<ul style="list-style-type: none"> Shut-off valve DN 50 for outlet pipe

LipuMobil-P Specification and Features

- Odour-proof sealed, with removable cover and fastening ring
- Inlet and outlet DN 50 (OD 63 mm) for connection with fitting pipe systems
- Total volume: 48 litres
- Grease storage volume: 15 litres
- Sludge storage volume: 16 litres
- Optional grease storage tank from PE, mounted at the separator, with discharge pump, volume 10 litres



Typical applications include:



Service and installation

At ACO Building Drainage we are committed to supporting our customers with a complete grease management solution that meets the specific waste management requirements of each application. In addition to our range of solutions, we have the level of in-house technical expertise required to provide customers with guidance and support at every stage of a project from system specification to design.

We can also provide support through our preferred installation and service partners who will handle commissioning and system installation and, if required, undertake the ongoing servicing and maintenance of your grease management solution.

Trust the experts

Our ability to provide commercial kitchen operators with a complete grease management solution means the design, installation and maintenance of the system is an easy, stress-free process which has the minimum impact on the business in terms of downtime and sales revenue.



askACO

For further guidance and technical advice, contact our in-house technical design team who will be pleased to help you with the specification and design of your grease management system.

Telephone **01462 810421** or visit www.aco.co.uk/grease-management

ACO Technologies plc

- ACO Access
- ACO Building Drainage
- ACO Water Management
Civils + Infrastructure
Building + Landscape
- ACO Sport
- ACO Wildlife

Your local stockist is:



ACO Building Drainage

A division of ACO Technologies plc
ACO Business Centre
Caxton Road, Bedford
Bedfordshire MK41 0LF
Tel: 01462 810400
e-mail: abdinfo@aco.co.uk
www.aco.co.uk

ACO. creating the future of drainage

© May 2019 ACO Technologies plc. All reasonable care has been taken in compiling the information in this document. All recommendations and suggestions on the use of ACO products are made without guarantee since the conditions of use are beyond the control of the Company. It is the customer's responsibility to ensure that each product is fit for its intended purpose, and that the actual conditions of use are suitable. This brochure and any advice is provided by ACO Technologies plc (the Company) free of charge and accordingly on terms that no liability including liability for negligence will attach to the Company or its servants or agents arising out of or in connection with or in relation to this brochure or any such advice. Any goods supplied by the Company will be supplied solely upon its standard conditions of sale, copies of which are available on request. The Company's policy of continuous product development and improvement renders specifications liable to modification. Information provided in this brochure is therefore subject to change without prior notification.

ACO CARES ABOUT THE ENVIRONMENT

Printed on material approved by the Forest Stewardship Council (FSC) who provide a means of assuring that products come from responsibly managed forest.

