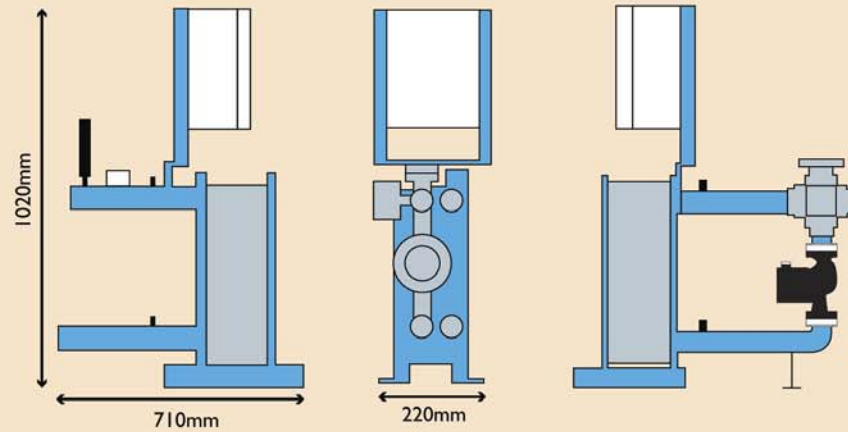


AELtherm Small Footprint/Lightweight

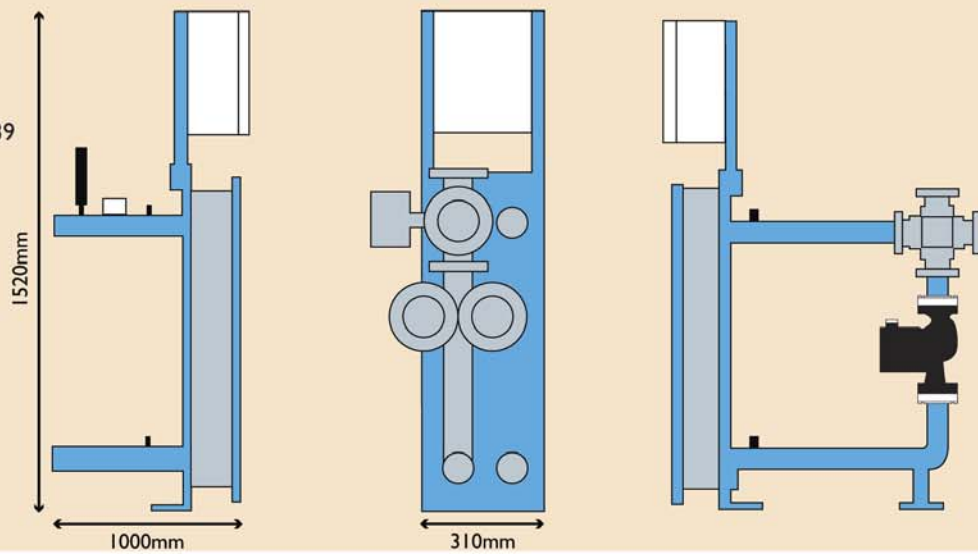
AELtherm

Model No: 1 1/4" - 7 to 37
Up to 250kW*
Weight = 140kg



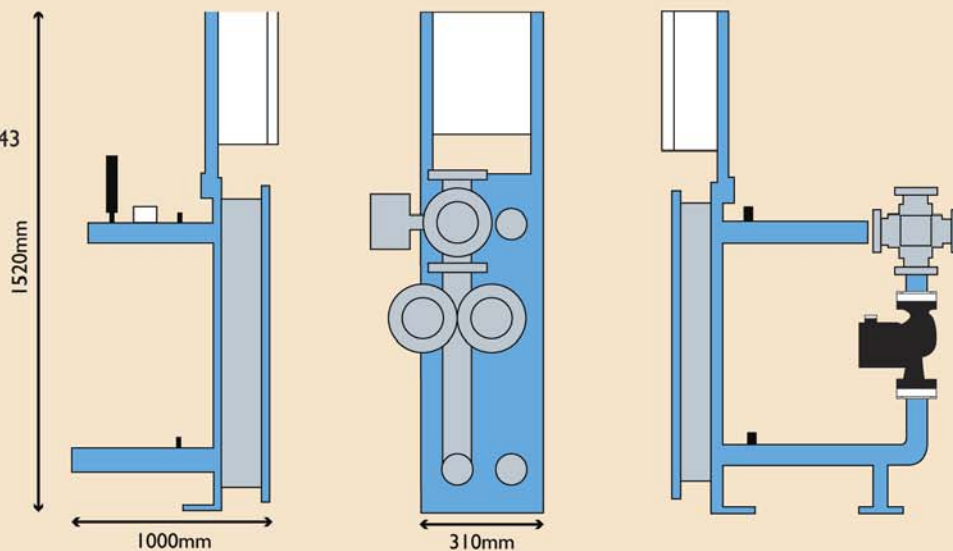
AELtherm

Model No: 1 1/2" - 16 to 39
Up to 650kW*
Weight = 180kg



AELtherm

MODEL No: 2" - 31 to 43
Up to 1000kW*
Weight = 220kg



AELtherm DHW CONTROL CENTRE

To control instantaneous DHW

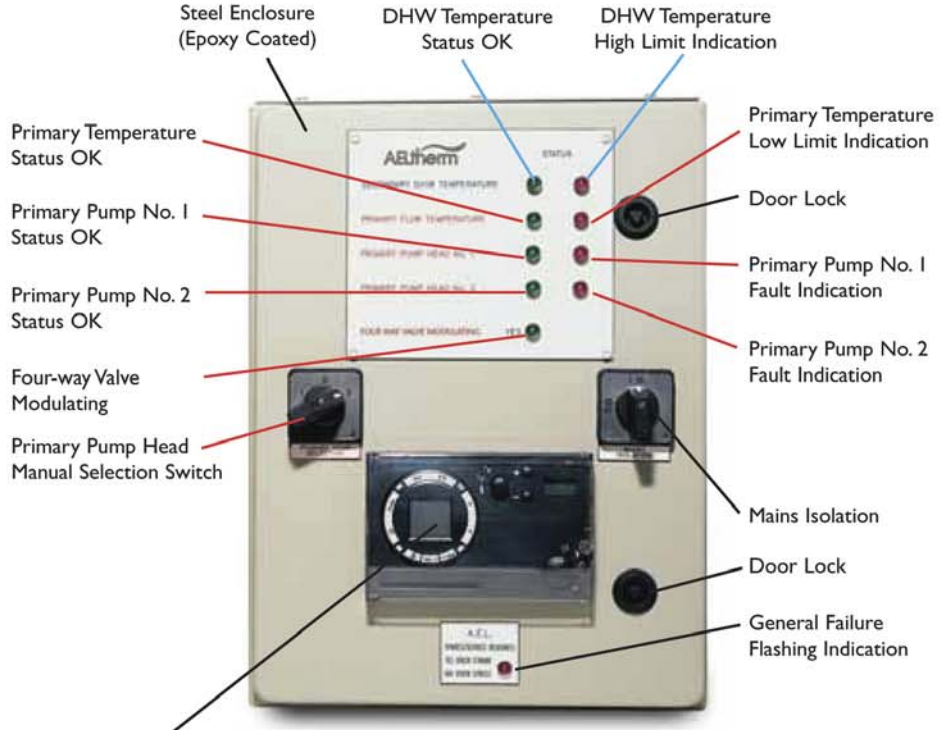
(Raising DHW temperature from 10°C>60°C). It is imperative that close monitoring and quick response from the equipment installed eliminates any chance of temperature fluctuations i.e. temperature overshoot can scald and low temperature can encourage legionella.

The AELTHERM is designed to eliminate these risks and provide safeguards to enhance the close control of flow and temperature while providing an easy to read panel that the layman can understand when the installation/ commissioning engineers have departed from site.

1 1/2" and 2" Panel Specification

1. Facility to wire DHW pump to the panel
- * 2. Primary/Secondary pump overload circuit break
- * 3. Primary pump manual selection
- * 4. Door interlock mains isolator
- * 5. Auto primary pump head changeover on failure
- * 6. Door locks
7. Flashing alarm indication for common failure
8. BMS compatible alarm (volt free)
- * 9. Epoxy coated metal enclosure
- * 10. Light indication for status of
 - a) Temperature b) Primary pump heads c) Operation
- * 11. Remote enable

* 1 1/4" Panel Specification



Controller Clock

- * 1. Year 2000 compatibility. CE approved
- * 2. 7-Day 24-hour time/temperature control
- * 3. Anti-bacteria setting
- * 4. Frost protection facility
5. Digital display of temperature on primary and secondary
- * 6. High temperature turn down
- * 7. Manual operation facility
- * 8. Back-up battery for power failure

Sizing of the module:

DHW 10>60°C		KW required primary 82°C	Primary duty is satisfied by the packaged pump provided		Quantity of plates	Frame size connections	
Flow rate L/S	Pressure drop KPA		L/S	KPA			
0.24	10	50	0.41	24	7	32mm	1 1/4"
0.476	13	100	0.74	24	12	32mm	1 1/4"
0.715	14	150	1.12	28	16	32mm	1 1/4"
0.954	15	200	1.48	30	20	32mm	1 1/4"
1.19	7	250	1.86	14	37	32mm	1 1/4"
1.43	9	300	2.23	18	16	40mm	1 1/2"
1.66	10	350	2.60	22	17	40mm	1 1/2"
1.90	11	400	2.97	22	19	40mm	1 1/2"
2.14	10	450	3.35	20	22	40mm	1 1/2"
2.38	10	500	3.72	21	24	40mm	1 1/2"
2.65	11	550	4.09	23	25	40mm	1 1/2"
2.86	5	600	4.46	37	37	40mm	1 1/2"
3.13	6	650	4.84	39	39	40mm	1 1/2"
3.33	12	700	5.21	24	31	50mm	2"
3.57	12	750	5.58	24	33	50mm	2"
3.82	11	800	5.95	23	36	50mm	2"
4.05	11	850	6.32	23	38	50mm	2"
4.29	11	900	6.69	23	40	50mm	2"
4.52	11	950	7.07	23	42	50mm	2"
4.76	12	1000	7.44	24	43	50mm	2"

Plate Heat Exchangers are also available for

- STEAM
- LTHW
- MTHW
- OIL
- FOOD PROCESS
- CHILLERS

Flow rates outside the above standard unit rates can be accommodated - ask AEL