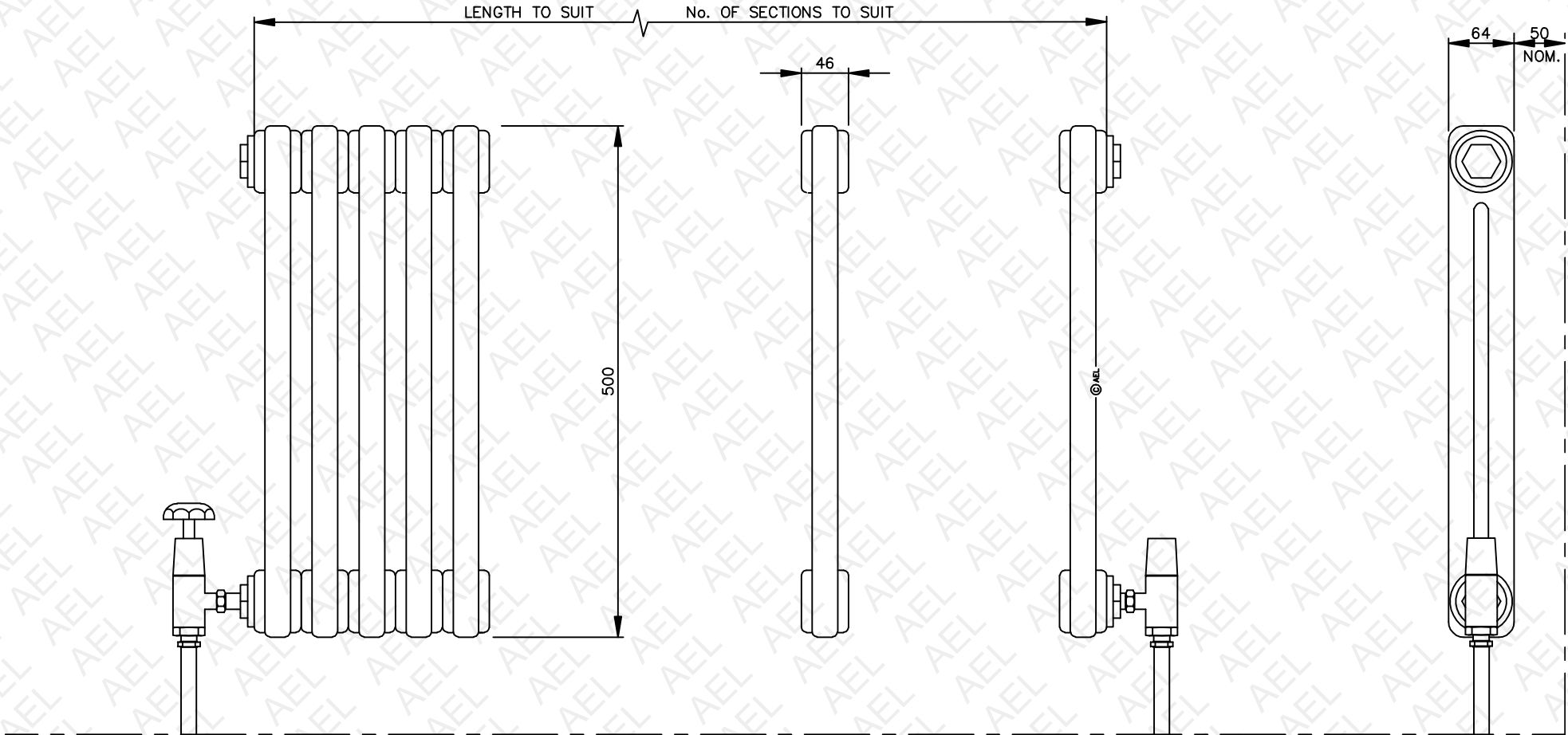


TubaRad & RadLine steel radiators 64mm Depth

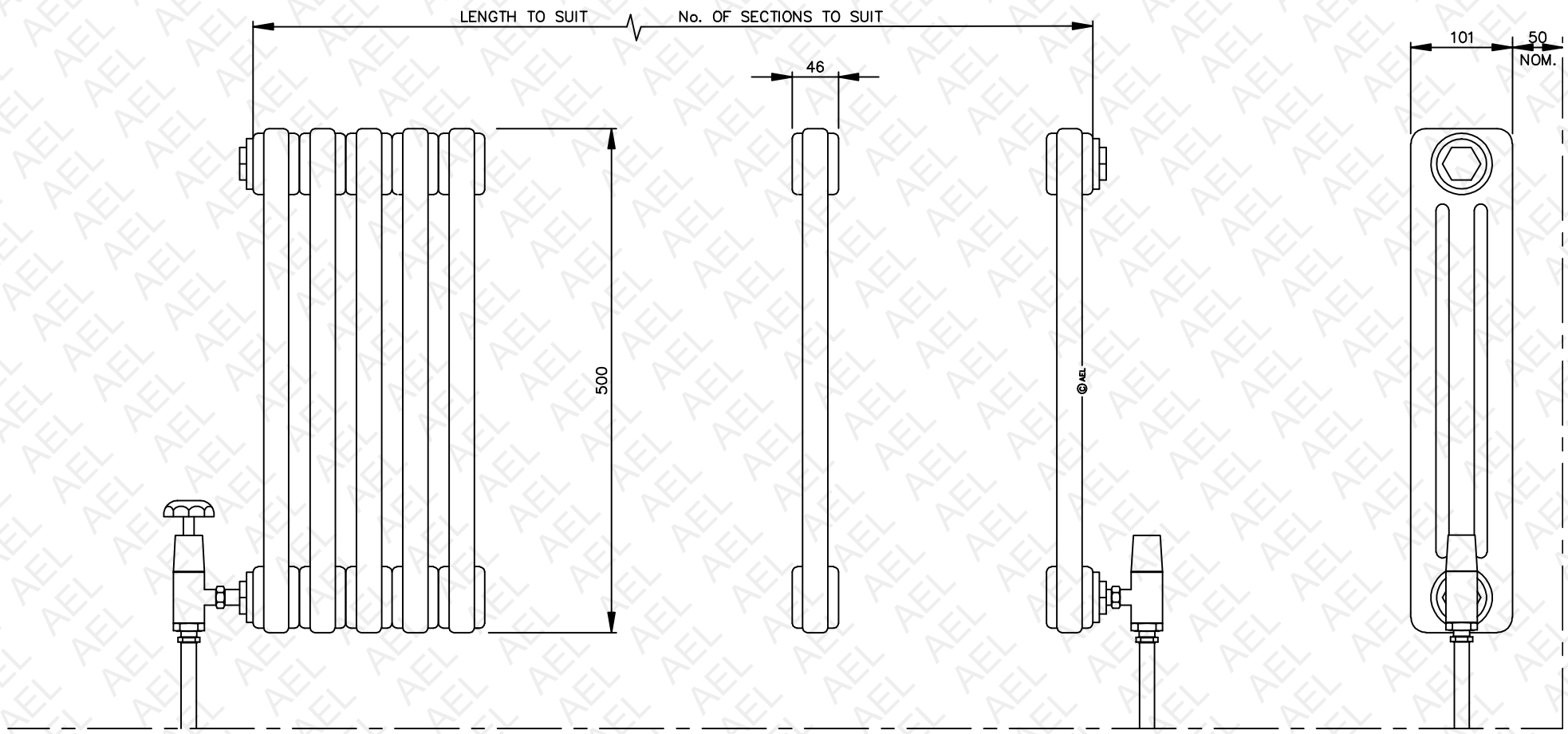
2 FEET ARE REQUIRED UP TO AND INCLUDING 23 SECTIONS FOR 2 COLUMNS DEPTH, WITH ONE EXTRA FOOT REQUIRED EVERY FURTHER 17 SECTIONS



**AEL HEATING SOLUTIONS  
TUBARAD  
TUBULAR STEEL RADIATOR  
2050**



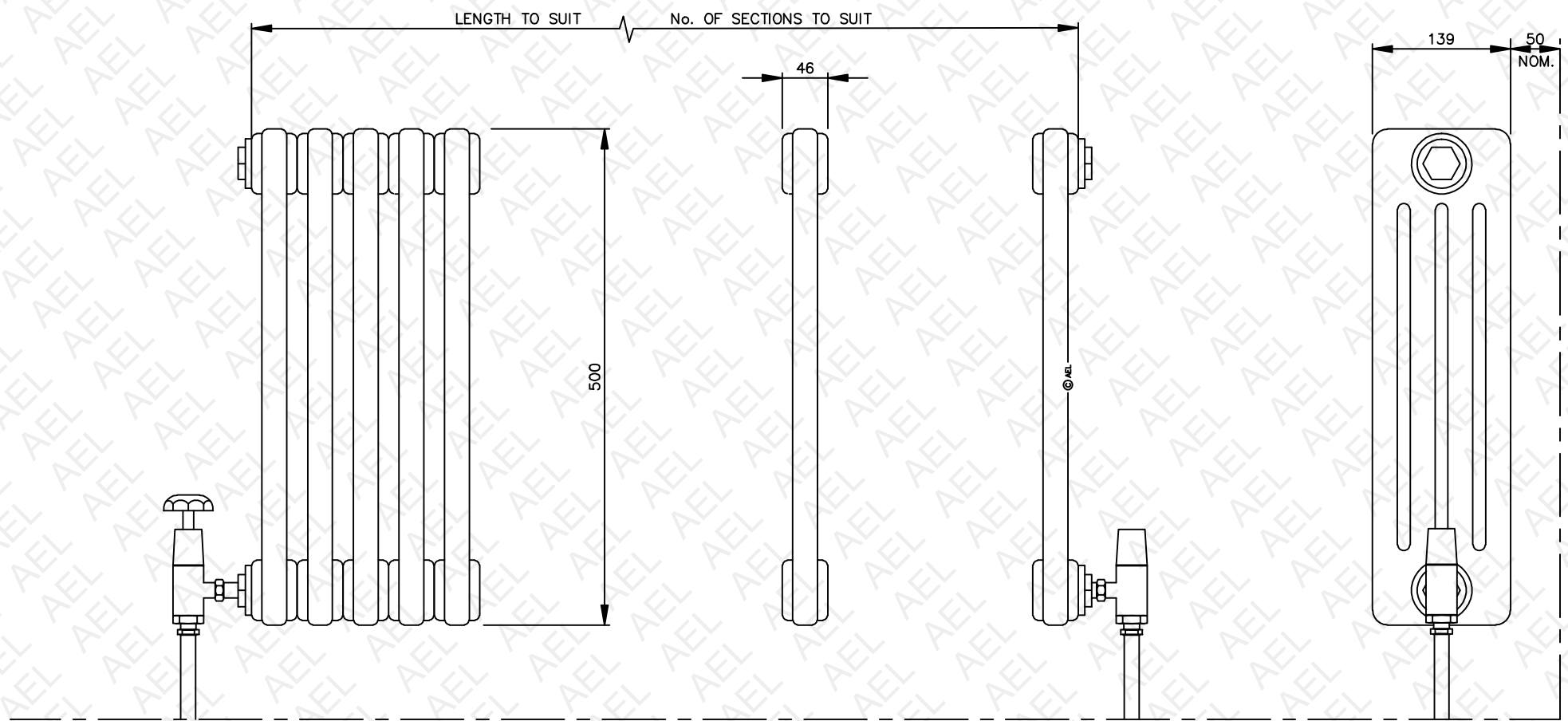
2 FEET ARE REQUIRED UP TO AND INCLUDING 23 SECTIONS FOR 3 COLUMNS DEPTH, WITH ONE EXTRA FOOT REQUIRED EVERY FURTHER 17 SECTIONS



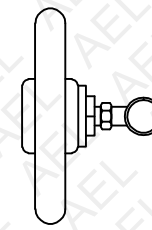
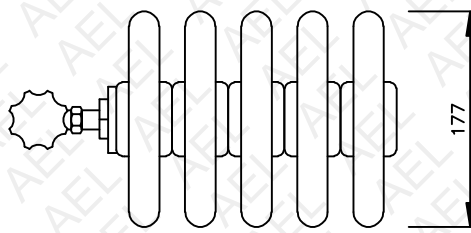
**AEL HEATING SOLUTIONS  
TUBARAD  
TUBULAR STEEL RADIATOR  
3050**



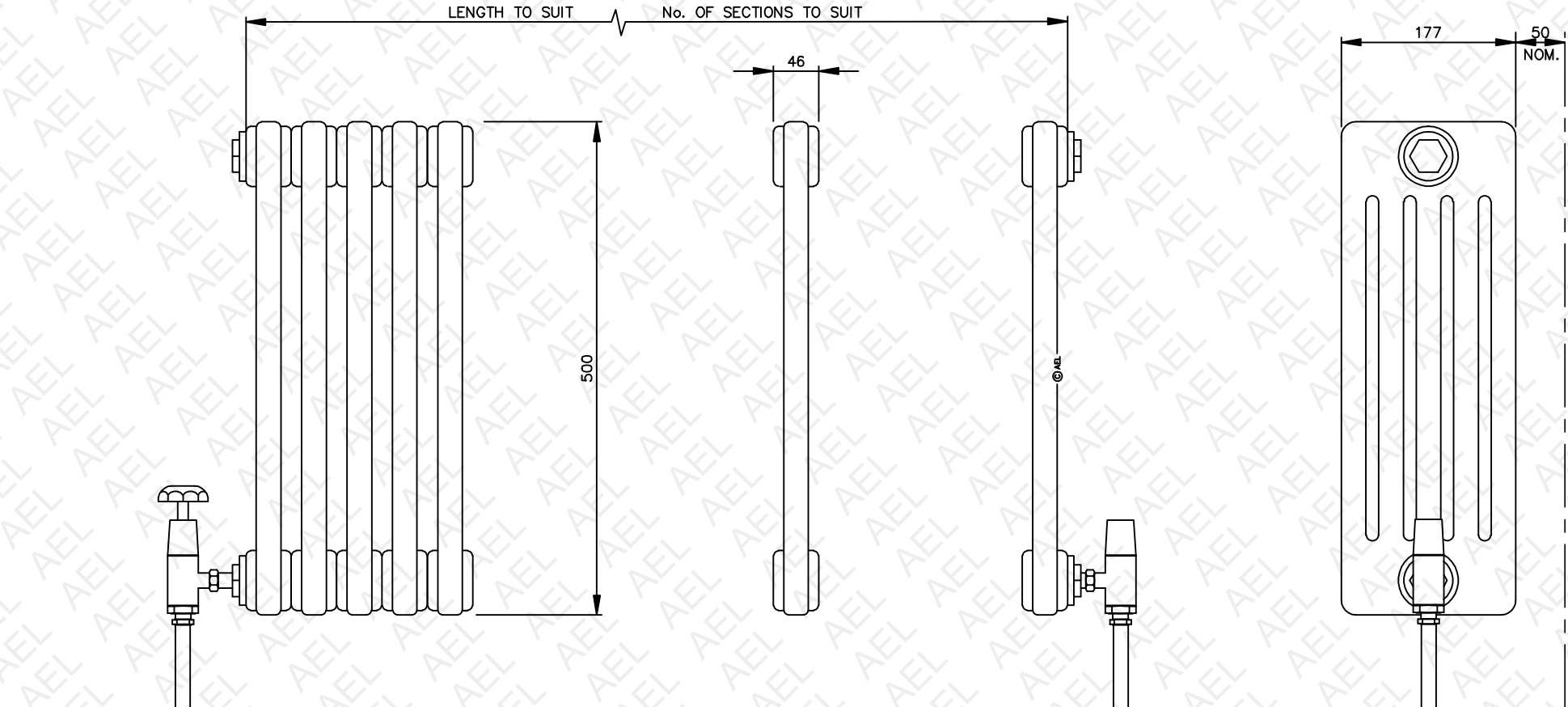
2 FEET ARE REQUIRED UP TO AND INCLUDING 23 SECTIONS FOR 4 COLUMNS DEPTH, WITH ONE EXTRA FOOT REQUIRED EVERY FURTHER 17 SECTIONS



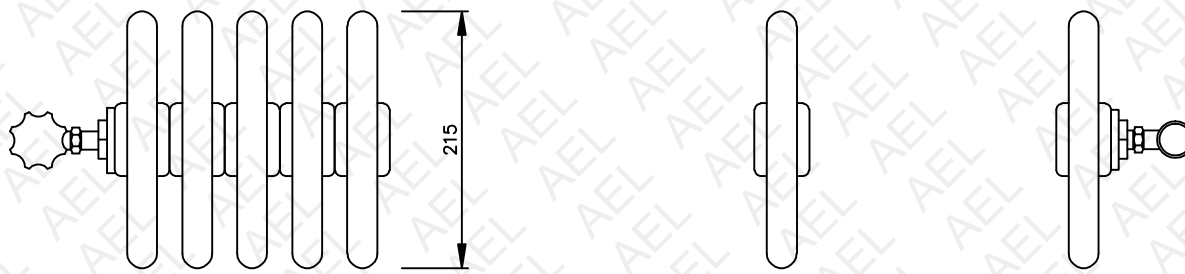
**AEL HEATING SOLUTIONS  
TUBARAD  
TUBULAR STEEL RADIATOR  
4050**



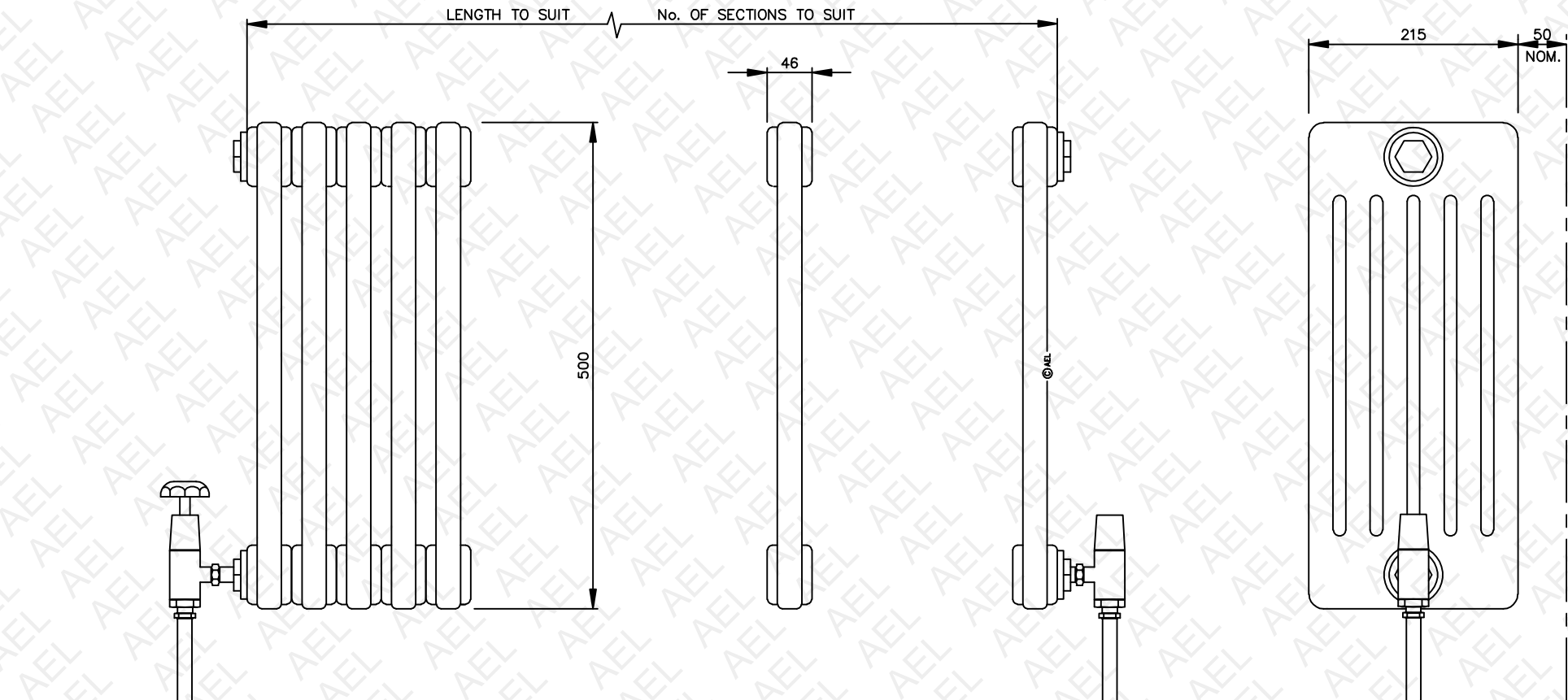
2 FEET ARE REQUIRED UP TO AND INCLUDING 12 SECTIONS FOR 5 COLUMNS DEPTH, WITH ONE EXTRA FOOT REQUIRED EVERY FURTHER 12 SECTIONS



**AEL HEATING SOLUTIONS  
TUBARAD  
TUBULAR STEEL RADIATOR  
5050**



2 FEET ARE REQUIRED UP TO AND INCLUDING 12 SECTIONS FOR 6 COLUMNS DEPTH, WITH ONE EXTRA FOOT REQUIRED EVERY FURTHER 12 SECTIONS



**AEL HEATING SOLUTIONS**  
**TUBARAD**  
**TUBULAR STEEL RADIATOR**  
**6050**