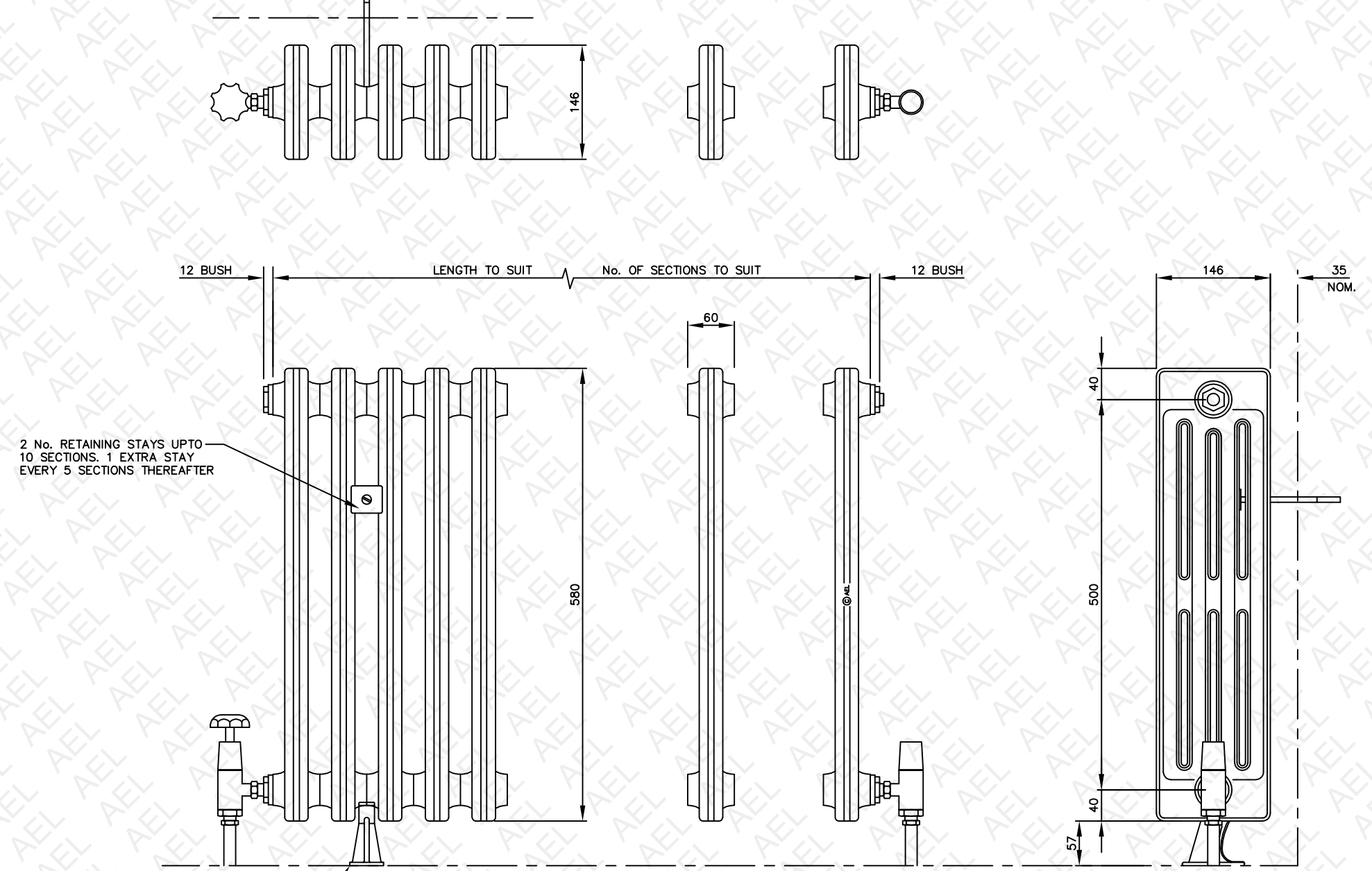
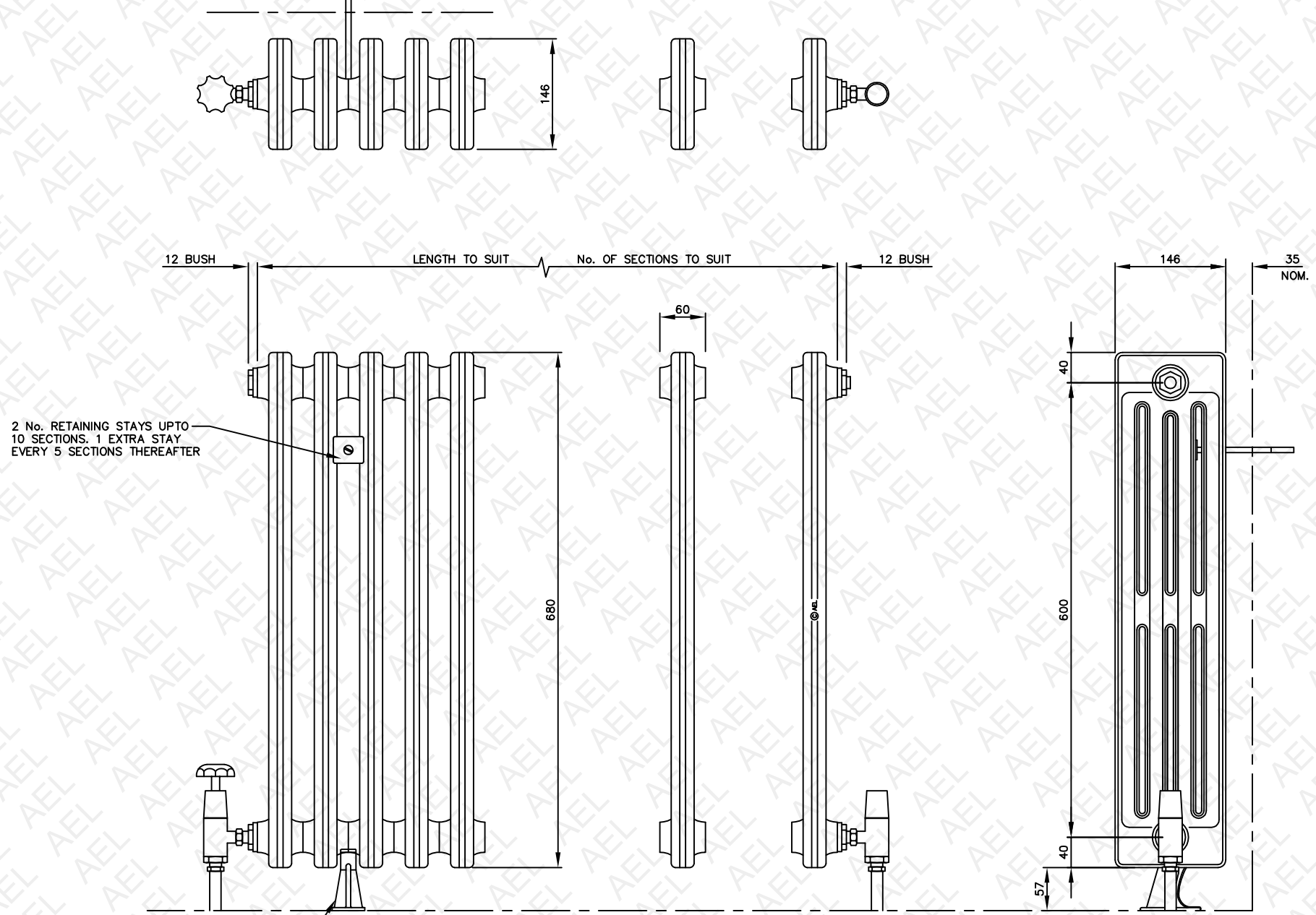


AEL HEATING SOLUTIONS
VICTORIANA
CAST IRON RADIATOR
V2 / 88



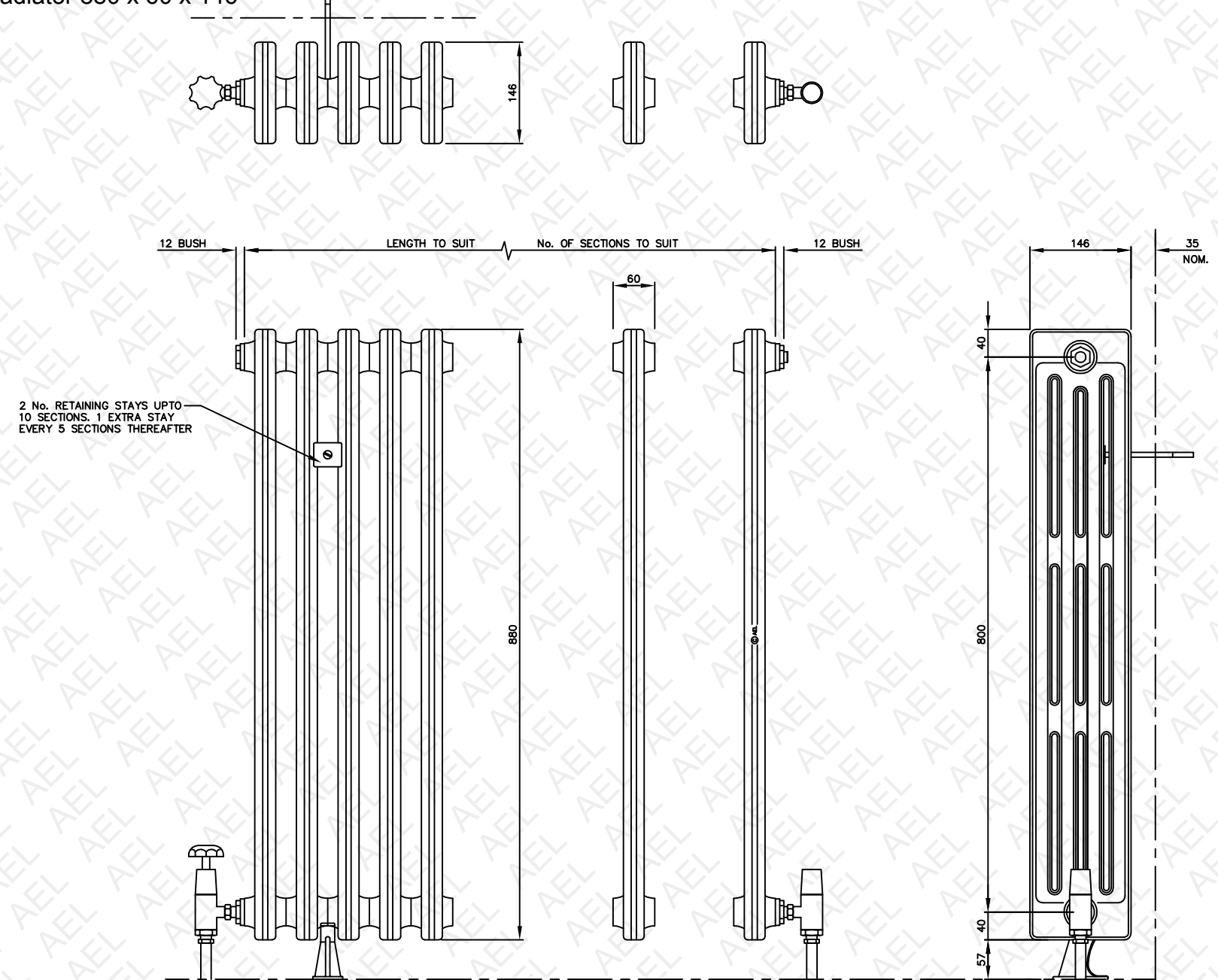
MINIMUM 2 No. FLOOR SUPPORTS UP TO 10 SECTIONS. 1 EXTRA FLOOR SUPPORT EVERY 5 SECTIONSTHEREAFTER

AEL HEATING SOLUTIONS
VICTORIANA
CAST IRON RADIATOR
V4 / 58



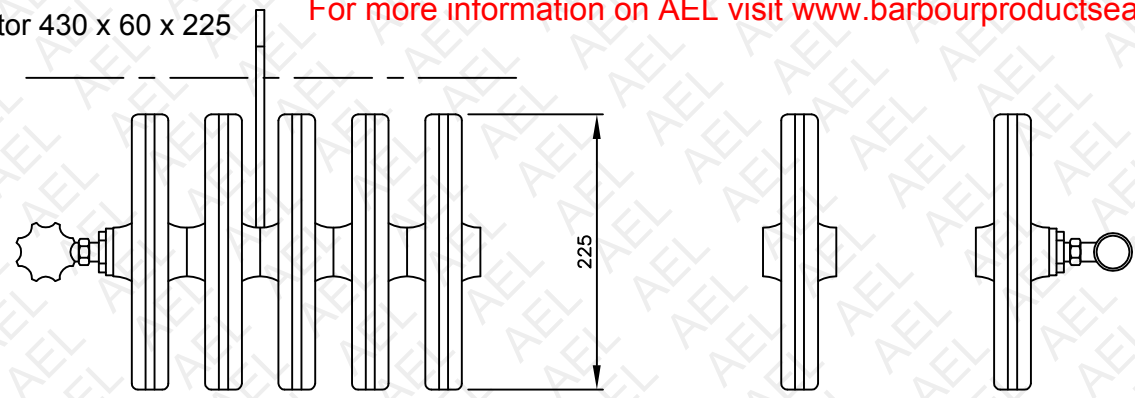
MINIMUM 2 No. FLOOR SUPPORTS UP TO 10 SECTIONS. 1 EXTRA FLOOR SUPPORT EVERY 5 SECTIONS THEREAFTER

AEL HEATING SOLUTIONS
VICTORIANA
CAST IRON RADIATOR
V4 / 68



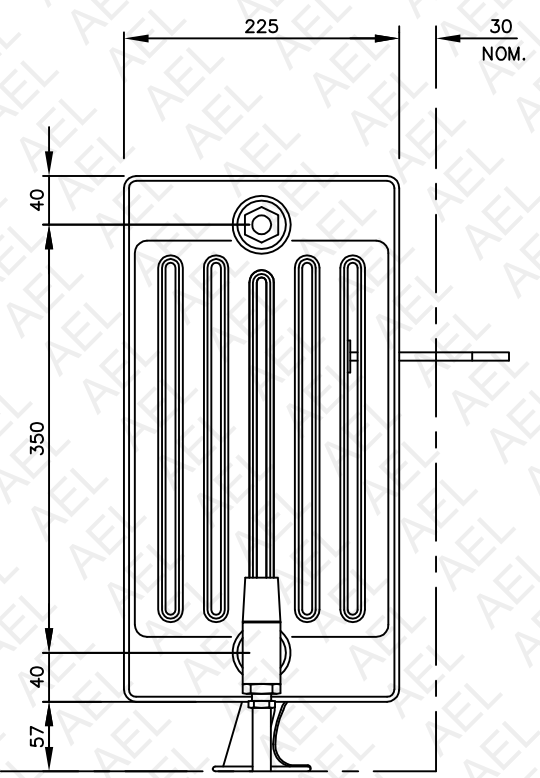
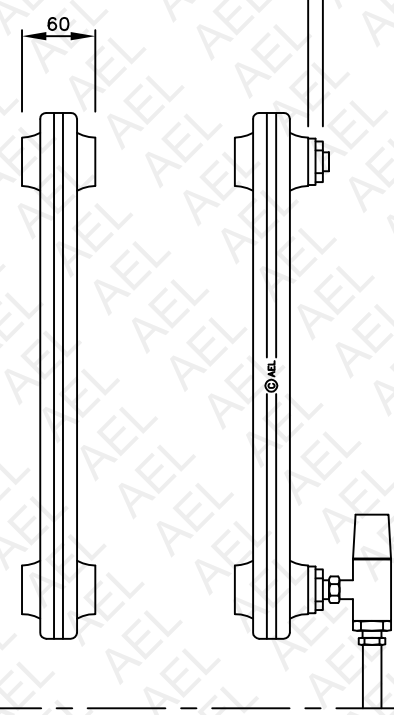
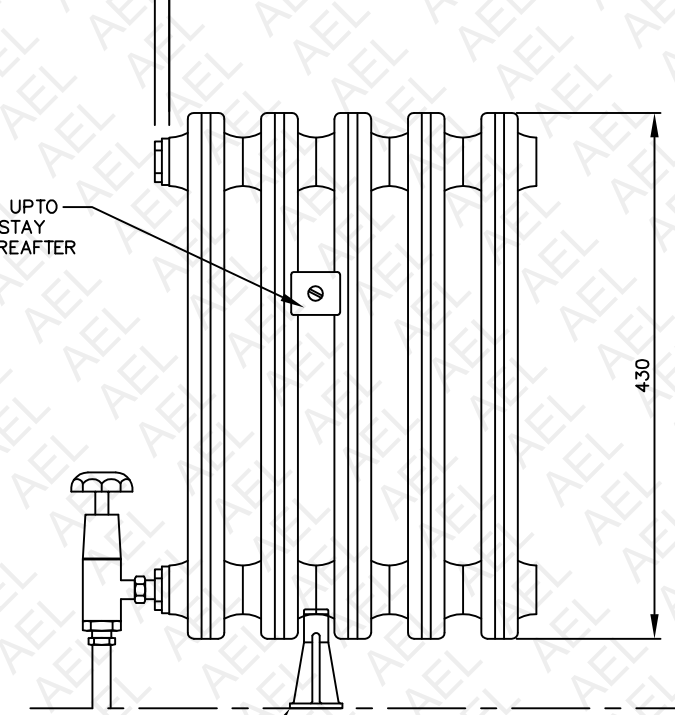
MINIMUM 2 No. FLOOR SUPPORTS UP TO 10 SECTIONS. 1 EXTRA FLOOR SUPPORT EVERY 5 SECTIONS THEREAFTER

AEL HEATING SOLUTIONS
VICTORIANA
CAST IRON RADIATOR
V4 / 88



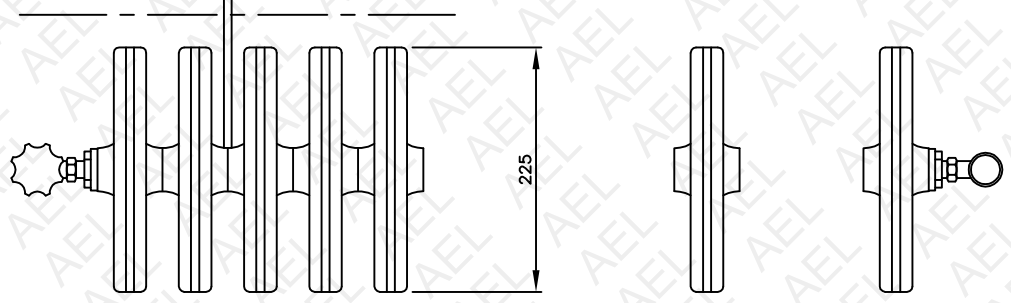
12 BUSH LENGTH TO SUIT No. OF SECTIONS TO SUIT 12 BUSH

2 No. RETAINING STAYS UP TO 10 SECTIONS. 1 EXTRA STAY EVERY 5 SECTIONS THEREAFTER



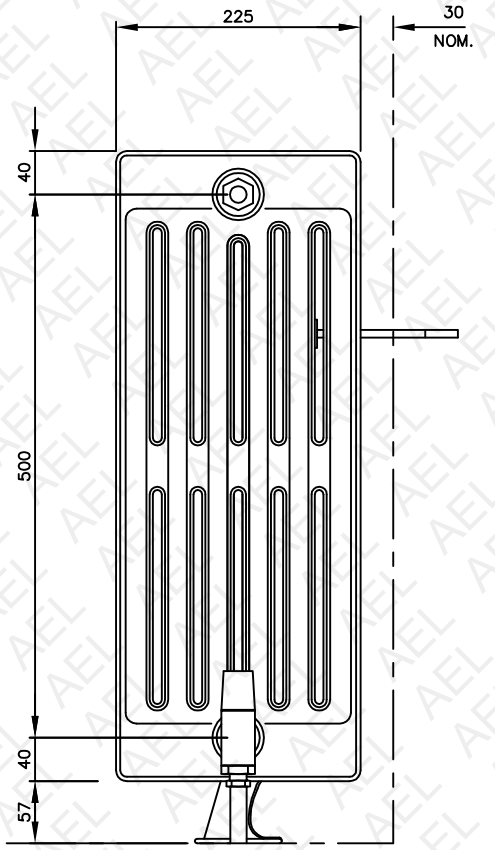
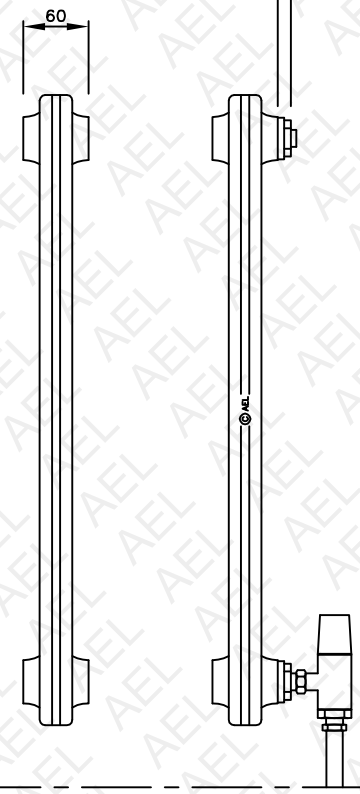
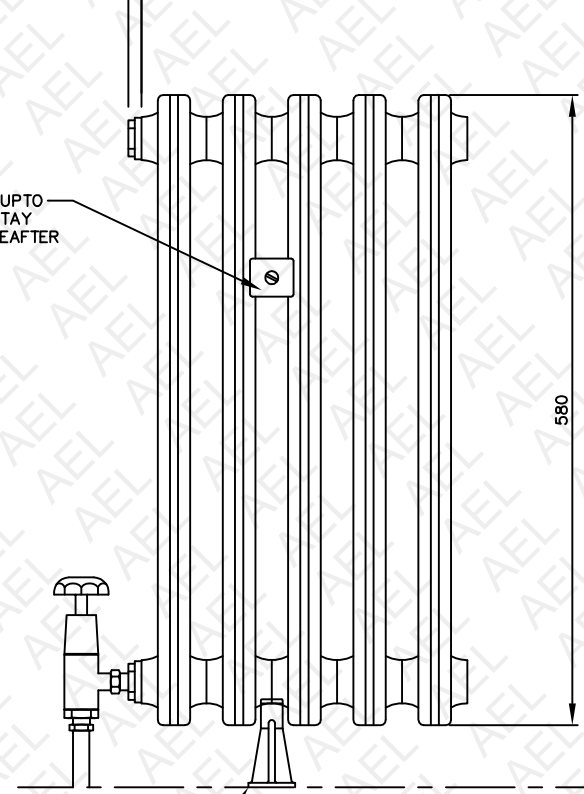
MINIMUM 2 No. FLOOR SUPPORTS UP TO 10 SECTIONS. 1 EXTRA FLOOR SUPPORT EVERY 5 SECTIONS THEREAFTER

AEL HEATING SOLUTIONS
VICTORIANA
CAST IRON RADIATOR
V6 / 43



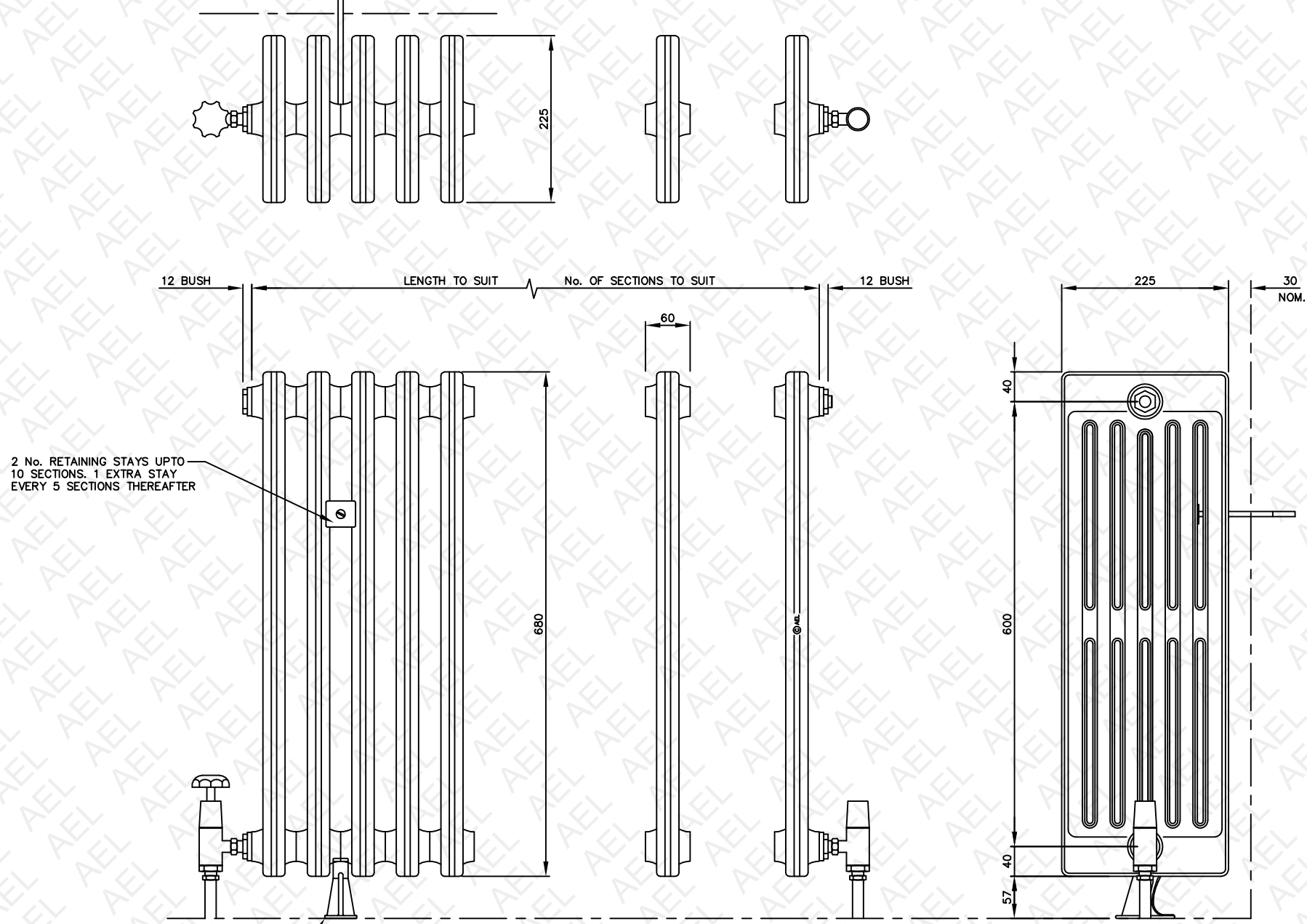
12 BUSH LENGTH TO SUIT No. OF SECTIONS TO SUIT 12 BUSH

2 No. RETAINING STAYS UP TO 10 SECTIONS. 1 EXTRA STAY EVERY 5 SECTIONS THEREAFTER



MINIMUM 2 No. FLOOR SUPPORTS UP TO 10 SECTIONS. 1 EXTRA FLOOR SUPPORT EVERY 5 SECTIONS THEREAFTER

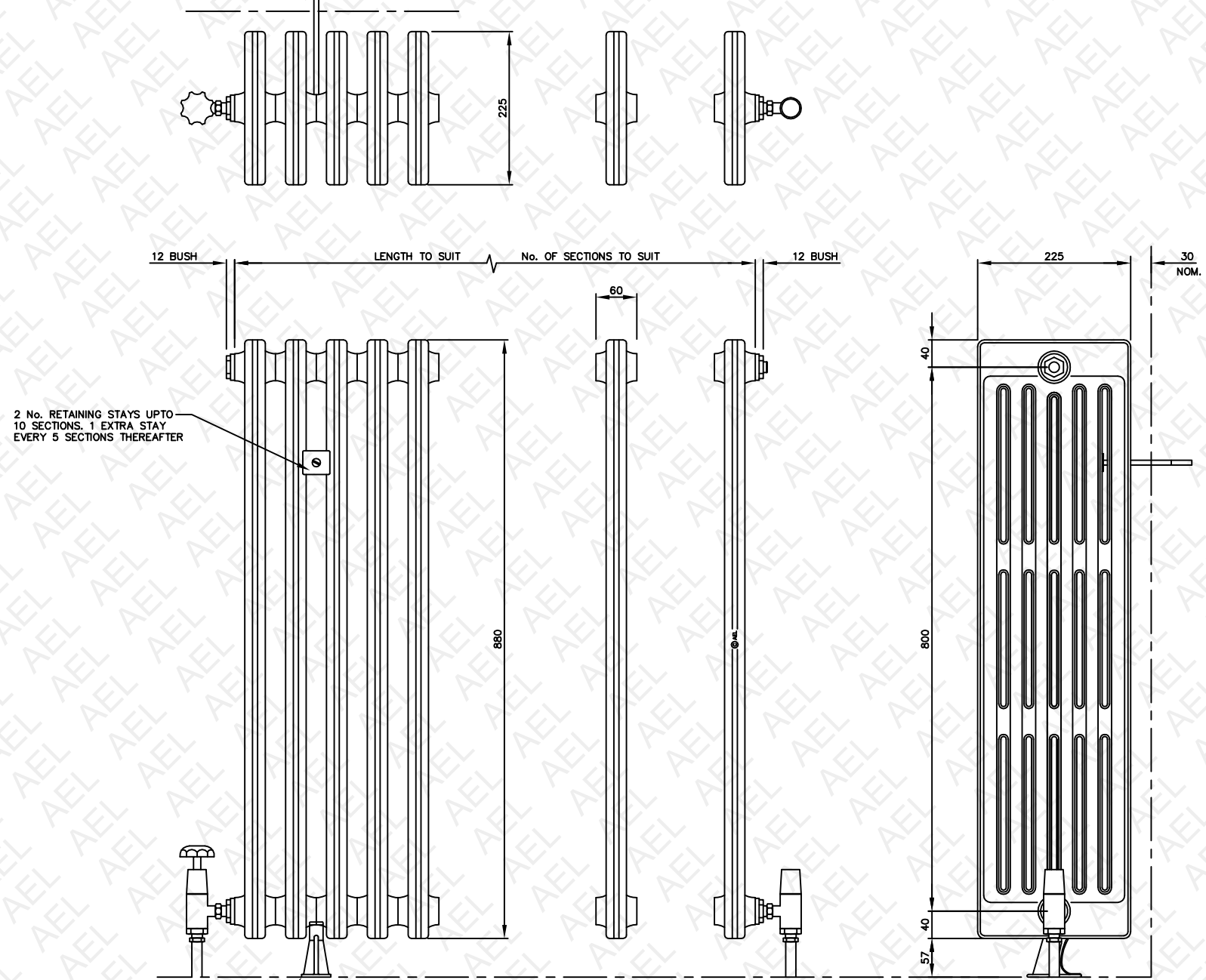
AEL HEATING SOLUTIONS
VICTORIANA
CAST IRON RADIATOR
V6 / 58



2 No. RETAINING STAYS UP TO 10 SECTIONS. 1 EXTRA STAY EVERY 5 SECTIONS THEREAFTER

MINIMUM 2 No. FLOOR SUPPORTS UP TO 10 SECTIONS. 1 EXTRA FLOOR SUPPORT EVERY 5 SECTIONS THEREAFTER

AEL HEATING SOLUTIONS
VICTORIANA
CAST IRON RADIATOR
V6 / 68



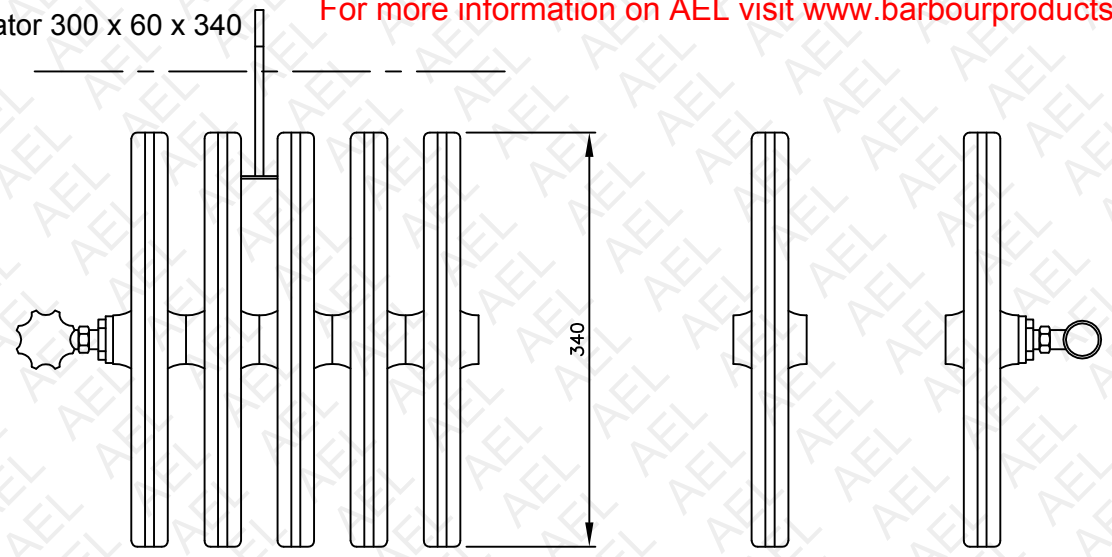
2 No. RETAINING STAYS UP TO 10 SECTIONS. 1 EXTRA STAY EVERY 5 SECTIONS THEREAFTER

MINIMUM 2 No. FLOOR SUPPORTS UP TO 10 SECTIONS. 1 EXTRA FLOOR SUPPORT EVERY 5 SECTIONS THEREAFTER

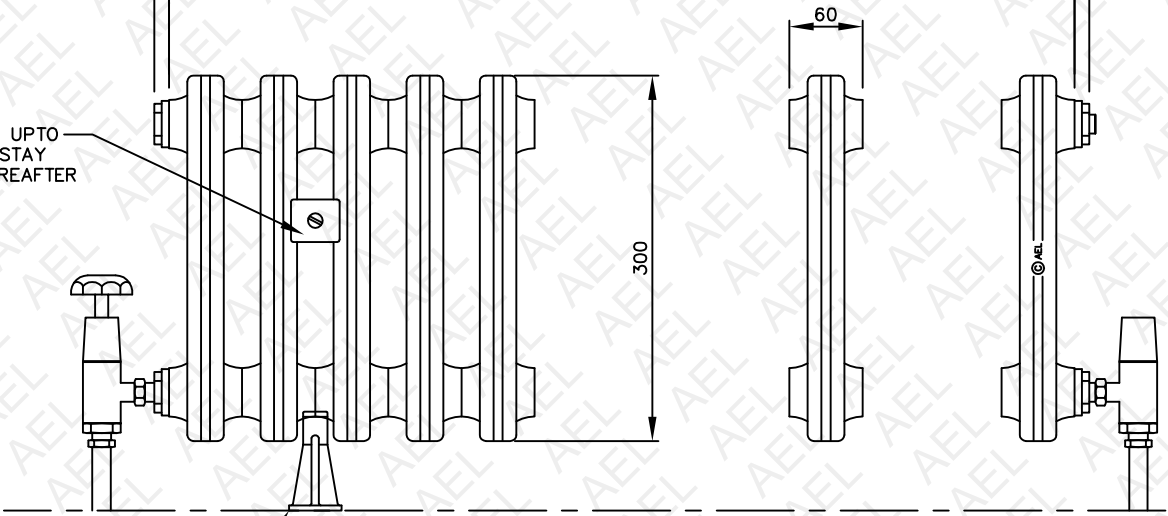
AEL HEATING SOLUTIONS
VICTORIANA
CAST IRON RADIATOR
V6 / 88

Victoriana cast-iron radiator 300 x 60 x 340

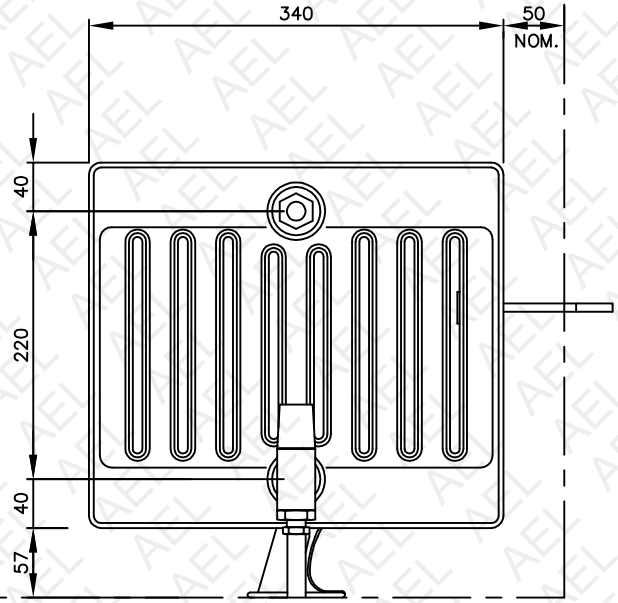
For more information on AEL visit www.barbourproductsearch.info



12 BUSH LENGTH TO SUIT No. OF SECTIONS TO SUIT 12 BUSH



2 No. RETAINING STAYS UP TO 10 SECTIONS. 1 EXTRA STAY EVERY 5 SECTIONS THEREAFTER



MINIMUM 2 No. FLOOR SUPPORTS UP TO 10 SECTIONS. 1 EXTRA FLOOR SUPPORT EVERY 5 SECTIONS THEREAFTER

AEL HEATING SOLUTIONS
VICTORIANA
CAST IRON RADIATOR
V9 / 30