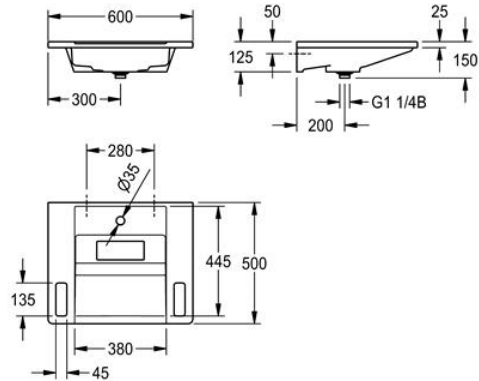


ANMW0001 | 2030020667

PRODUCT GROUP : Wash basins | ARTICLE FAMILY : Wash basins | ARTICLE GROUP : ANMW0001 ++ | MODEL RANGE : MIRANIT | MODEL RANGE : EXOS



Single washbasin, wheelchair accessible, made of resin-bonded mineral composite, with pore-free, smooth gelcoat high-polished surface (temperature-resistant up to 80°C), with integrated grab rails, storage surfaces and integral back panel with integrated brackets for wall mounting. It has a seamless moulded bowl, no overflow and lowered tap ledge with tap hole. Mounting material and waste cover with InoxPlus coating included

Colour: Alpine white

Washbasin dimensions: 600 x 125 x 500 mm (W x H x D)

Bowl dimensions: 380 x 90 x 340 mm (W x H x D)

TECHNICAL DATA	
gross weight	12.00 kg
net weight	11.50 kg
type of basin	Single Compartment
bowl position	center
bowl - bowl depth	90.00 mm
bowl - depth	340.00 mm
bowl shape	rectangle
bowl - width	380.00 mm
colour	alpinewhite
material	mineral material
material code	Miranit
number of bowls	1.0000000000000000E+00
overall depth	500.00 mm
overall height	125.00 mm
overall width	600.00 mm
overflow	no
rear upstand	no
siphon included	no



tap hole diameter	35.00 mm
tap hole position	middle
number of tap holes	1
tap ledge	yes
type of mounting	wall mounting
waste hole position	centre back
waste kit included	yes
waste size	DN 32