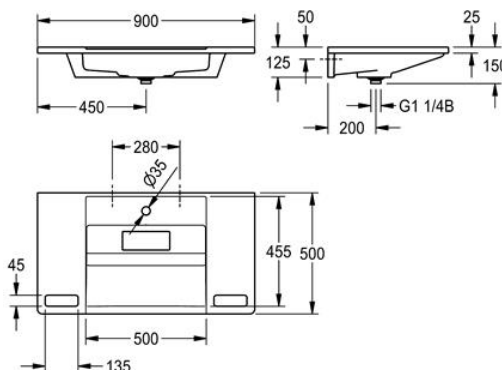


ANMW0002 | 2030020673

PRODUCT GROUP : Wash basins | ARTICLE FAMILY : Wash basins | ARTICLE GROUP : ANMW0001 ++ | MODEL RANGE : MIRANIT | MODEL RANGE : EXOS



Single washbasin, wheelchair accessible, made of resin-bonded mineral composite, with pore-free, smooth gelcoat high-polished surface (temperature-resistant up to 80°C), with integrated grab rails, storage surfaces and integral back panel with integrated brackets for wall mounting. It has a seamless moulded bowl, no overflow and lowered tap ledge with tap hole. Mounting material and waste cover with InoxPlus coating included.

Colour: Alpine white

Washbasin dimensions: 900 x 125 x 500 mm (W x H x D)

Bowl dimensions: 500 x 90 x 340 mm (W x H x D)

**TECHNICAL DATA**

gross weight	24.00 kg
net weight	22.40 kg
type of basin	Single Compartment
bowl position	center
bowl - bowl depth	90.00 mm
bowl - depth	340.00 mm
bowl shape	rectangle
bowl - width	500.00 mm
colour	alpinewhite
material	mineral material
material code	Miranit
number of bowls	1.0000000000000000E+00
overall depth	500.00 mm
overall height	125.00 mm
overall width	900.00 mm
overflow	no
siphon included	no
tap hole diameter	35.00 mm



tap hole position	middle
number of tap holes	1
tap ledge	yes
type of mounting	90° off-wall mounting
waste hole position	centre back
waste kit included	yes