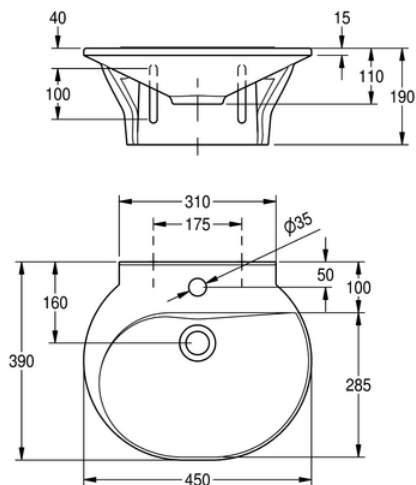
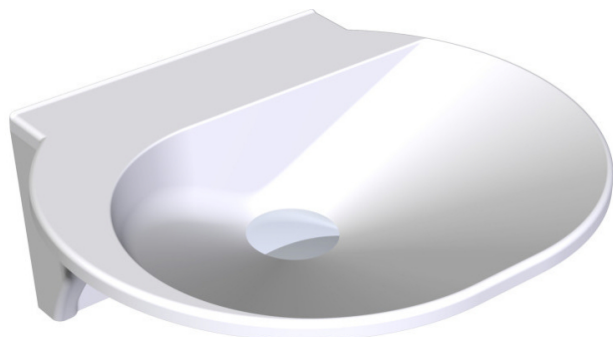


WASH BASIN: ANMW198

ANMW198 | 2000090002

PRODUCT GROUP : Wash basins | ARTICLE FAMILY : Wash basins | ARTICLE GROUP : ANMW198 | MODEL RANGE : ANIMA | MODEL RANGE : MIRANIT



GAMBA children's washbasin made from MIRANIT resin-bonded mineral material with non-porous smooth surfaces (max. temperature 80°C). The moulded form is round with an asymmetric tap landing with storage space including tap hole and rear upstand. Without overflow. Integral back panel with integrated brackets and fixing holes for height adjustment up to 100 mm. Mounting material included (hanger bolts and dowels). Alpine white colour. Washbasin dimensions 450 x 110 x 390 mm (W x H x D), rear panel height 190 mm.

TECHNICAL DATA

bowl position	center
bowl - bowl depth	90.00 mm
bowl - depth	280.00 mm
bowl shape	circle with straight sides
bowl - width	410.00 mm
colour	alpinewhite
gross weight	10.14 kg
material	mineral material
material code	Miranit
net weight	9.66 kg
number of bowls	1.0000000000000000E+00
overall depth	390.00 mm
overall height	190.00 mm
overall width	450.00 mm
overflow	no
rear upstand	yes
siphon included	no
splash back	no
number of tap holes	1
tap hole diameter	35.00 mm
tap hole position	middle
tap ledge	yes

type of mounting	wall mounting
waste hole position	centre back
waste hole projection	160.00 mm
waste kit included	no
waste size	DN 32