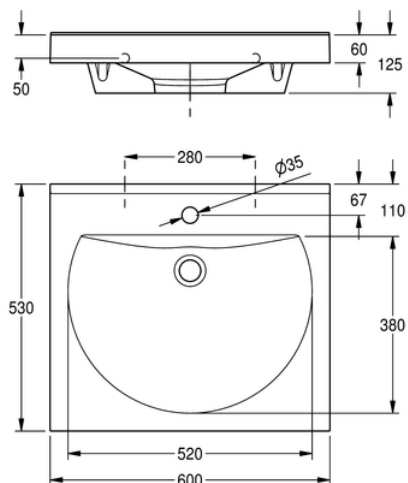


WASH BASIN: ANMW211

ANMW211 | 2000090005

PRODUCT GROUP : Wash basins | ARTICLE FAMILY : Wash basins | ARTICLE GROUP : ANMW210 ++ | MODEL RANGE : ANIMA | MODEL RANGE : MIRANIT



RONDA single washbasin made of MIRANIT resin-bonded mineral material with smooth, pore-free surface (temperature-resistant up to 80°C). With seamless round bowl, flattened out at the rear, without overflow. Integral back panel with integrated brackets and holes for fixing. Rear contoured edge. Three-sided apron. Mounting material included (hanger bolts and dowels). Alpine white colour. Washbasin dimensions 600 x 60 x 530 (W x H x D), bowl dimensions 520 x 90 x 380 (W x H x D).

with taphole

TECHNICAL DATA

bowl position	center
bowl - bowl depth	90.00 mm
bowl - depth	380.00 mm
bowl shape	circle with straight sides
bowl - width	520.00 mm
colour	alpinewhite
gross weight	17.33 kg
material	mineral material
material code	Miranit
net weight	16.50 kg
number of bowls	1.0000000000000000E+00
overall depth	530.00 mm
overall height	125.00 mm
overall width	600.00 mm
overflow	no
rear upstand	yes
siphon included	no
splash back	no
number of tap holes	1
tap hole diameter	35.00 mm
tap hole position	middle

tap ledge	yes
type of mounting	wall mounting
waste hole position	centre back
waste hole projection	185.00 mm
waste kit included	no
waste size	DN 32

WASH BASIN: ANMW211

ANMW211 | 2000090005

PRODUCT GROUP : **Wash basins** | ARTICLE FAMILY : **Wash basins** | ARTICLE GROUP : **ANMW210 ++** | MODEL RANGE : **ANIMA** | MODEL RANGE : **MIRANIT**

SIMILAR PART



WASH BASIN: ANMW210

2000090004
