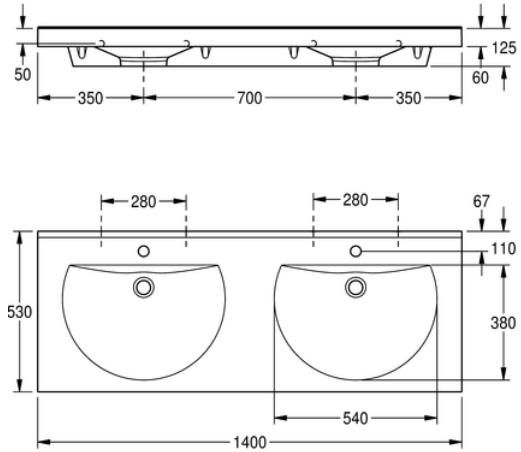


WASH BASIN: ANMW221

ANMW221 | 2000090007

PRODUCT GROUP : Wash basins | ARTICLE GROUP : ANMW220 ++ | ARTICLE FAMILY : Multiple wash basins |
 MODEL RANGE : ANIMA | MODEL RANGE : MIRANIT



RONDA double washbasin made of MIRANIT resin-bonded mineral material with smooth, pore-free surface (temperature-resistant up to 80°C). With two seamless round bowls, flattened out at the rear, without overflow. Integral back panel with integrated brackets and holes for fixing. Rear contoured edge. Three-sided apron. Mounting material included (hanger bolts and dowels). Alpine white colour. Washbasin dimensions 1400 x 60 X 530 (W x H x D), bowl dimensions 540 x 90 x 380 (W x H x D).

with tapholes

TECHNICAL DATA

bowl position	center
bowl - bowl depth	90.00 mm
bowl - depth	380.00 mm
bowl shape	circle with straight sides
bowl - width	540.00 mm
colour	alpinewhite
distance between bowls	700.00 mm
gross weight	38.85 kg
material	mineral material
material code	Miranit
net weight	37.00 kg
number of bowls	2.0000000000000000E+00
overall depth	530.00 mm
overall height	125.00 mm
overall width	1,400.00 mm
overflow	no
rear upstand	yes
siphon included	no
splash back	no
number of tap holes	1
tap hole diameter	35.00 mm

tap hole position	middle
tap ledge	yes
type of mounting	wall mounting
waste hole position	centre back
waste hole projection	185.00 mm
waste kit included	no
waste size	DN 32

WASH BASIN: ANMW221

ANMW221 | 2000090007

PRODUCT GROUP : **Wash basins** | ARTICLE GROUP : **ANMW220 ++** | ARTICLE FAMILY : **Multiple wash basins** |
MODEL RANGE : **ANIMA** | MODEL RANGE : **MIRANIT**

SIMILAR PART



WASH BASIN: ANMW220

2000090006
