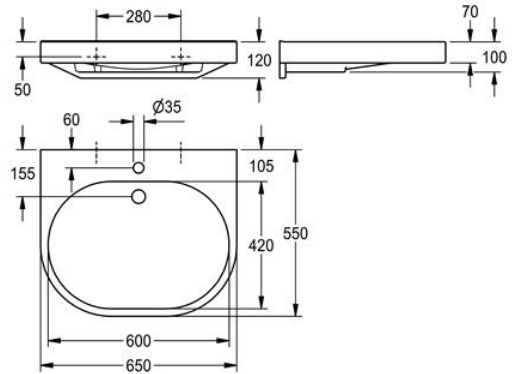


SINGLE WASH BASIN

ANMW501 | 2030020958

PRODUCT GROUP : Wash basins | ARTICLE FAMILY : Wash basins | ARTICLE GROUP : ANMW501 ++ | MODEL RANGE : VARIUS



Single washbasin VARIUScare made of MIRANIT resin-bonded mineral material, with pore-free, smooth surface (temperature-resistant up to 80°C). Colour Alpine white. Wheelchair accessible and ergonomic designed, with integrated gripping edge. Seamless moulded bowl, without overflow. With tap hole, integral back panel with integrated brackets and holes for fixing. Rear contoured edge.

Dimensions: 650 x 120 x 550 mm (W x H x D)

Bowl dimensions: 600 x 80 x 420 mm (W x H x D)

TECHNICAL DATA

gross weight	26.00 kg
net weight	25.46 kg
type of basin	vanity basin
bowl position	center
bowl - bowl depth	80.00 mm
bowl - depth	420.00 mm
bowl shape	oval
bowl - width	600.00 mm
colour	alpinewhite
material	mineral material
material code	Miranit
number of bowls	1.0000000000000000E+00
overall depth	550.00 mm
overall height	120.00 mm
overall width	650.00 mm
overflow	no
rear upstand	yes
siphon diameter	DN 32

siphon included	no
splash back	no
tap hole diameter	35.00 mm
tap hole position	middle
number of tap holes	1
tap ledge	yes
type of mounting	wall mounting