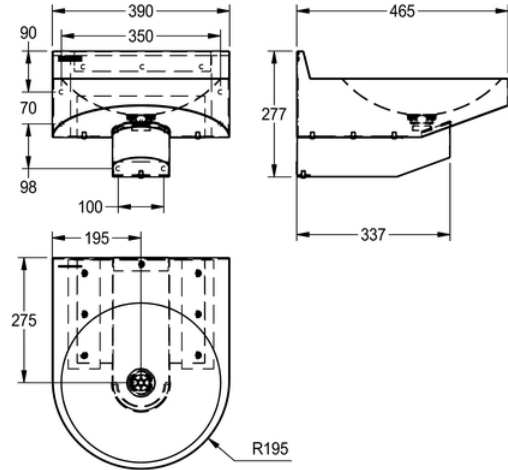


# DISABLED WASHBASIN WITH UPSTAND: ANMX020

ANMX020 | 2000110927

PRODUCT GROUP : Wash basins | ARTICLE FAMILY : Wash basins | ARTICLE GROUP : ANMX020



Single washbasin manufactured from 1.5mm thick grade EN 1.4301 (304) stainless steel polished to satin finish. Supplied with a 32mm waste and no overflow. No tap holes are provided, any taps to be fitted must be wall mounted. A stainless steel shroud is included for covering and providing access to the waste. Joggle mounting strip and base bracket provided for mounting. Screws and plugs are not supplied.

## TECHNICAL DATA

material	stainless steel
material thickness	1.50 mm
overall depth	465.00 mm
overall height	277.00 mm
overall width	390.00 mm
overflow	no
rear upstand	yes
number of tap holes	0
type of mounting	wall mounting
waste size	DN 32
gross weight	8.00 kg
net weight	7.50 kg
material code	1.4301 Chrome Nickel steel V2A