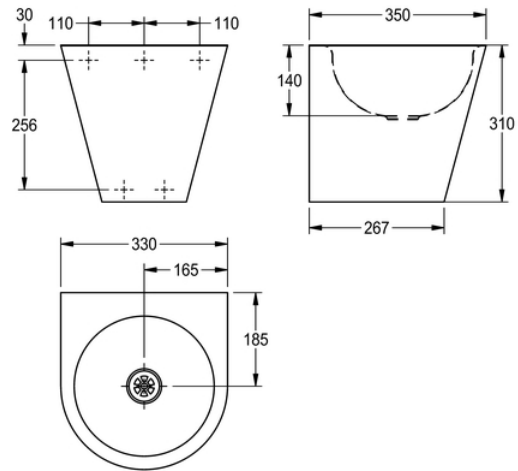


WASH BASIN: ANMX205

ANMX205 | 2000071493

PRODUCT GROUP : Wash basins | ARTICLE FAMILY : Wash basins | ARTICLE GROUP : ANMX205 | MODEL RANGE : ANIMA



The Centinel washbasin is manufactured from 1.2mm thick grade En 1.4301 (304) stainless steel polished to a satin finish. The bowl is prepared with no tap hole and supplied with a 32mm flush grated waste only (no overflow can be fitted). Complete with bottom access panel for fixing (using bolts supplied) and plumbing connections.

TECHNICAL DATA

bowl position	center
bowl - bowl depth	140.00 mm
bowl finish	satin finished
bowl - depth	277.00 mm
bowl shape	circle
bowl - width	277.00 mm
colour	no colour
gross weight	5.44 kg
material	stainless steel
material code	1.4301 Chrome Nickel steel V2A
material thickness	1.20 mm
net weight	4.60 kg
number of bowls	1.0000000000000000E+00
overall depth	350.00 mm
overall height	310.00 mm
overall width	330.00 mm
overflow	no
rear upstand	no
siphon included	no
splash back	no
surface finish	satin finished
number of tap holes	0
tap ledge	yes
type of mounting	wall mounting

type of waste kit	flat perforated waste
waste hole position	centre
waste hole projection	140.00 mm
waste kit included	yes
waste size	DN 32