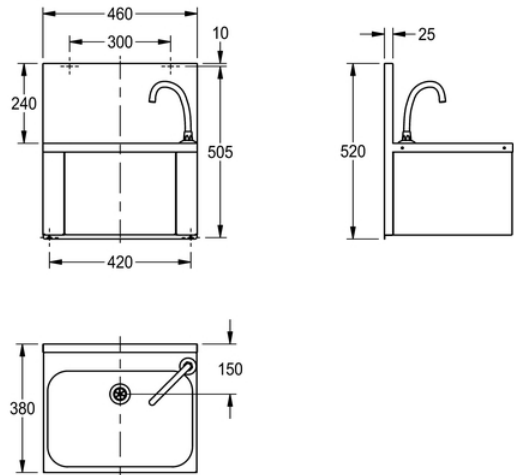


WASHBASIN: ANMX206

ANMX206 | 2000101025

PRODUCT GROUP : Wash basins | ARTICLE FAMILY : Wash basins | ARTICLE GROUP : ANMX206 | MODEL RANGE : ANIMA



Knee operated wash hand basin is manufactured from stainless steel - satin polish finish, material thickness 0.9mm. Supplied complete with water spout positioned in rear right hand corner and 32mm waste outlet. Note: The pre-mixing valve and the pipework linking the water spout to the knee operated front panel is all supplied with the washbasin. Wall mounted by fitting a top joggle strip under the upstand return and by screw fixing through the integral rear brackets. Screws and plugs are not supplied.

TECHNICAL DATA

basin - basin depth	265.00 mm
basin finish	satin finished
basin - depth	410.00 mm
basin shape	rounded rectangle
gross weight	6.30 kg
material	stainless steel
material code	1.4301 Chrome Nickel steel V2A
material thickness	0.90 mm
net weight	6.00 kg
overall depth	380.00 mm
overall height	520.00 mm
overall width	460.00 mm
overflow	no
rear upstand	no
splash back	yes
surface finish	satin finished
tap hole position	right
tap ledge	yes
type of mounting	wall mounting
waste hole position	centre back
waste kit included	yes
waste size	DN 32