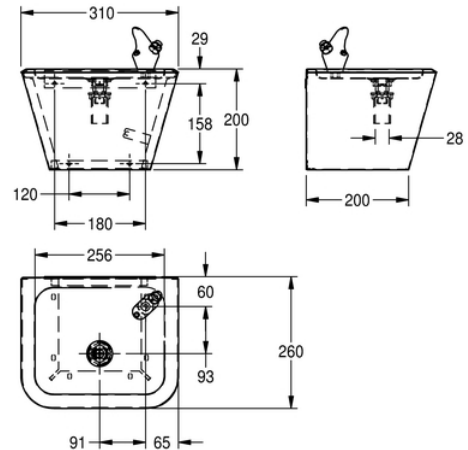


DRINKING FOUNTAIN: ANMX300

ANMX300 | 2000071850

ARTICLE GROUP : **ANMX300** | ARTICLE FAMILY : **Drinking fountains unchilled** | PRODUCT GROUP : **Water dispensers** |
MODEL RANGE : **ANIMA**



Drinking water fountain for wall mounting, stainless steel, surface satin finished, material thickness 1 mm, flat pressed top, rectangular shape, rounded edges, without overflow, 19mm waste, drainage centric, incl. premounted 3/8" manual self closing drinking bubbler, incl. screws and dowels.

TECHNICAL DATA

bowl - bowl depth	20.00 mm
bowl - depth	256.00 mm
bowl - width	210.00 mm
drinking bubbler	included
glass filler	no
waste size	DN 20
waste kit included	yes
waste hole projection	153.00 mm
waste hole position	centre
type of operation	manual operation
type of mounting	wall mounting
surface material	stainless steel
surface finish	satin finished
overall width	310.00 mm
overall height	200.00 mm
overall depth	260.00 mm
outlet size	DN 20
net weight	3.00 kg
material thickness	1.20 mm
material code	1.4301 Chrome Nickel steel V2A
material	stainless steel
gross weight	3.40 kg

