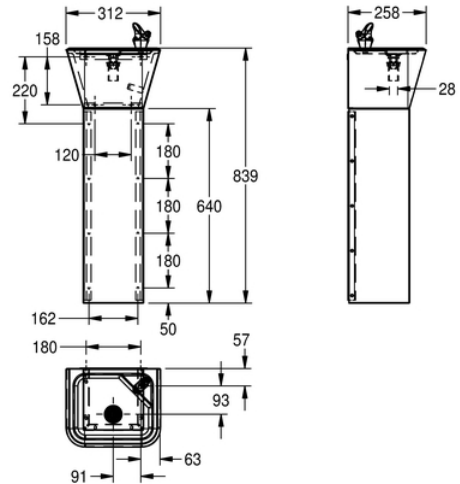


# DRINKING FOUNTAIN: ANMX301

ANMX301 | 2000071854

ARTICLE GROUP : **ANMX301** | ARTICLE FAMILY : **Drinking fountains unchilled** | PRODUCT GROUP : **Water dispensers** |  
MODEL RANGE : **ANIMA**



Drinking water fountain for floor or wall mounting, stainless steel, surface satin finished, material thickness 1 mm, flat pressed top, rectangular shape, rounded edges, without overflow, 19mm waste, drainage centric, incl. premounted 3/8" manual self closing drinking bubbler, with floor standing trap cover, incl. screws and dowels.

## TECHNICAL DATA

bowl - bowl depth	20.00 mm
bowl - depth	256.00 mm
bowl - width	210.00 mm
drinking bubbler	included
glass filler	no
gross weight	9.90 kg
material	stainless steel
material code	1.4301 Chrome Nickel steel V2A
material thickness	1.20 mm
net weight	9.50 kg
outlet size	DN 20
overall depth	260.00 mm
overall height	840.00 mm
overall width	310.00 mm
surface finish	satin finished
surface material	stainless steel
type of mounting	floor mounting
type of operation	manual operation
waste hole position	centre
waste hole projection	153.00 mm
waste kit included	yes
waste size	DN 20

