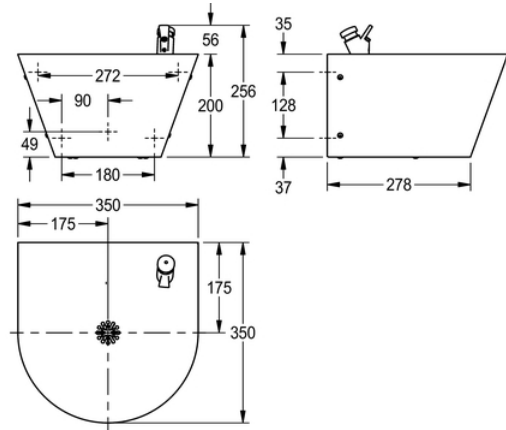


DRINKING FOUNTAIN: ANMX330

ANMX330 | 2030017683

ARTICLE GROUP : **ANMX330** | ARTICLE FAMILY : **Drinking fountains unchilled** | PRODUCT GROUP : **Water dispensers**



Drinking fountains are manufactured from 304 stainless steel, pressing has a material thickness of 1.2 the supporting body and fixing bracket is 1.2. Comes complete with a choice of bubbler or bubbler and bottle filler, a chlorine waterfilter, (replacement required approx ever 6 months) fitted waste and low inlet P trap, plumbing connections and a secure access panel. They are mounted to the wall using a bracket that is simply fixed to the wall, the drinking fountain slides and hooks on and is secured with screws at the sides

TECHNICAL DATA

waste size	DN 32
waste kit included	yes
waste hole position	centre
type of operation	manual operation
type of mounting	wall mounting
surface finish	satin finished
overall width	350.00 mm
overall height	256.00 mm
overall depth	350.00 mm
net weight	4.50 kg
material code	1.4301 Chrome Nickel steel V2A
material	stainless steel
gross weight	4.70 kg
glass filler	no
drinking bubbler	included

DRINKING FOUNTAIN: ANMX330

ANMX330 | 2030017683

ARTICLE GROUP : **ANMX330** | ARTICLE FAMILY : **Drinking fountains unchilled** | PRODUCT GROUP : **Water dispensers**

SPARE PART



B9094

2030018856
