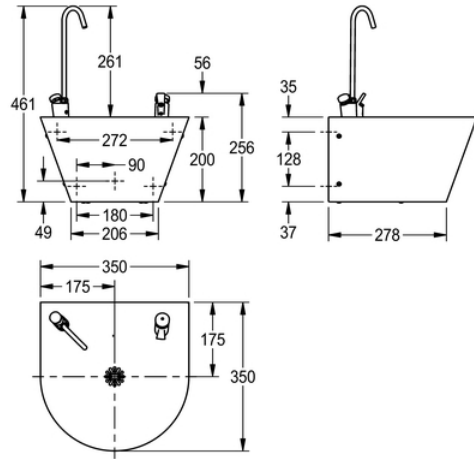


DRINKING FOUNTAIN: ANMX331

ANMX331 | 2030017686

ARTICLE GROUP : **ANMX330** | ARTICLE FAMILY : **Drinking fountains unchilled** | PRODUCT GROUP : **Water dispensers**



Drinking fountains are manufactured from 304 stainless steel, pressing has a material thickness of 1.2 the supporting body and fixing bracket is 1.2. Comes complete with a choice of bubbler or bubbler and bottle filler, a chlorine waterfilter, (replacement required approx ever 6 months) fitted waste and low inlet P trap, plumbing connections and a secure access panel. They are mounted to the wall using a bracket that is simply fixed to the wall, the drinking fountain slides and hooks on and is secured with screws at the sides

TECHNICAL DATA

drinking bubbler	included
glass filler	yes
gross weight	4.90 kg
material	stainless steel
material code	1.4301 Chrome Nickel steel V2A
net weight	4.70 kg
overall depth	350.00 mm
overall height	461.00 mm
overall width	350.00 mm
surface finish	satin finished
type of mounting	wall mounting
type of operation	manual operation
waste hole position	centre
waste kit included	yes
waste size	DN 32

DRINKING FOUNTAIN: ANMX331

ANMX331 | 2030017686

ARTICLE GROUP : **ANMX330** | ARTICLE FAMILY : **Drinking fountains unchilled** | PRODUCT GROUP : **Water dispensers**

SPARE PART



B9094

2030018856
