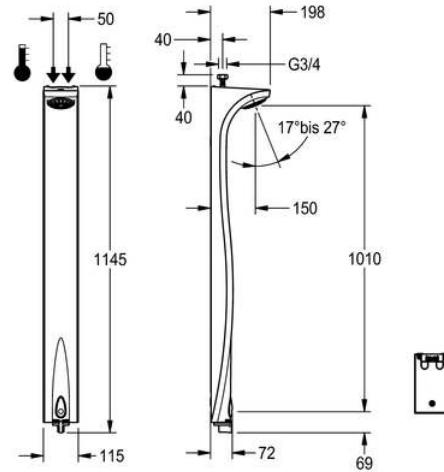


# SHOWER PANEL

AQLT0036 | 2000107947

ARTICLE GROUP (AG) : **AQLT0036 ++** | ARTICLE FAMILY (AF) : **Self closing showers** | PRODUCT GROUP (PG) : **Showers** |  
 MODEL RANGE : **AQUA**



SMARTWAVE shower panel made of Makroblend® with AQUALINE-Therm self-closing thermostatic mixer DN 15 and remote actuation technology, for surface installation. With function block mounted close to the shower head to reduce water stagnation, and device for optional bypass solenoid valve cartridge for performing a thermal disinfection. Shower head with plastic jet face (0.20 l/s) freely adjustable angle from 17° to 27° degrees and enclosed flow controller (0.15 l/s). For connecting to hot and cold water. Adjustable flow duration. With soft-actuator button, thermostat with integrated over-twist protection, polished chromium-plated full-metal. Housing made of Makroblend® polymer material, colour white (RAL 9016).

water connection from above

## TECHNICAL DATA

Additional Connections	NO
Calculation Flow Rate Cold Water	0.15 liter per seconds
Calculation Flow Rate Hot Water	0.15 liter per seconds
Circulation	NO
Connection With Pay Water Dispenser	NOT-POSSIBLE
Adjustable Flow Time	YES
Functional Principle	HYDRALIC-C
Gross Weight	9.00 kg
Diameter Nominal	DN-15-1-2INH
Material Casing	SYNTHETIC
Material Fitting	BRASS
Maximum Flow Time	50 s
Minimum Flow Pressure	1.00 bar
Minimum Flow Time	1 s
Type Of Mixing	THERMOSTAT
Net Weight	7.20 kg
Overall Depth	198.00 mm
Overall Height	1,145.00 mm
Overall Width	115.00 mm
Shower Pipe Draining	NO

Sound Insulation	NO
Surface Finish Fitting	CHROMISED
Thermal Disinfection	YES
Adjustable Tilt Angle	YES
Type Of Mounting	WALL-MOUNTING
Type Of Operation	MANUAL-OPERATION
Type Of Shower	SHOWER-PANEL
Type Of Shower Head	SPRAY-SHOWER-HEAD
Volume Flow Rate Bypass	0.06 liter per seconds
Volume Flow Rate At 3 Bar	0.20 liter per seconds
Position Of Water Connection	TOP

# SHOWER PANEL

AQLT0036 | 2000107947

ARTICLE GROUP (AG) : **AQLT0036 ++** | ARTICLE FAMILY (AF) : **Self closing showers** | PRODUCT GROUP (PG) : **Showers** |  
MODEL RANGE : **AQUA**

---

## ACCESSORIES

---



---

**EXTENSION CABLE**

---

2030010982

---



---

**MAINS UNIT**

---

2000100433

---



---

**KEY SWITCH**

---

2000102675

---



---

**SOAP TRAY**

---

2030008583

---