

Turn & Learn™

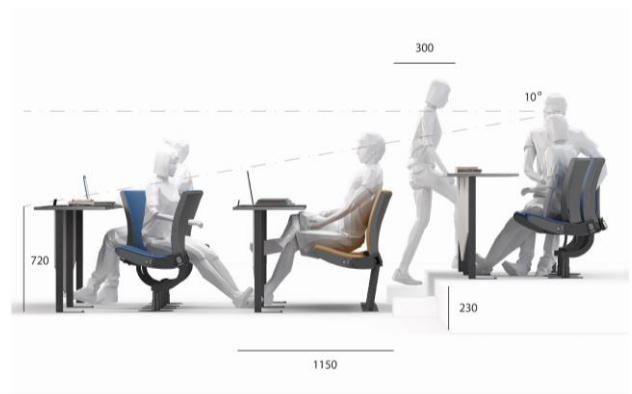
The Turn and Learn™ Educational Seating System creates the environment where collaborative learning can flourish. The layout allows face-to-face and eye-to-eye contact for collaborative working.

The popular Arc One Turn & Learn lecture theatre seat had been adapted to deliver turn and learn functions with either an integrated A3 Wrimatic tablet or a fixed writing ledge.

This lecture chair will rotate through 360 degrees to enable collaborative learning and sharing. Enables group and peer work without vacating the seat position.

The Turn and Learn™ Seating range, with its unique design, supports the requirements of physically interactive teaching spaces. Simple desks are arranged between comfortable tip-up ARC One or FT10 seats which rotate a full 360°, giving full line of sight of the lecturer, allowing both didactic and group work.

The ARC lecture chair is ergonomically shaped with a contoured back and this range focuses particular attention on lumbar support and correct posture. A preferred choice for many UK universities due to its comfort, durability, ease of maintenance and versatility.



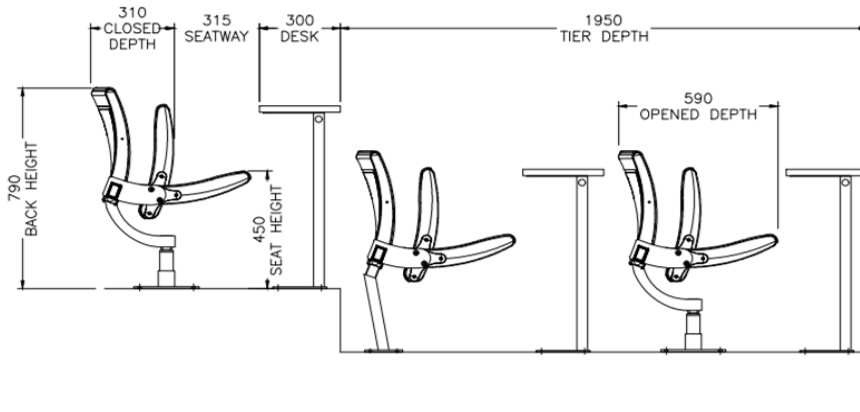
Supports Turn & Learn (collaborative learning pedagogies)
Ergonomic design for maximum comfort
Contemporary materials and colours
Virtually maintenance free
Variety of finishing options including desking
Flexible layouts including radial

Double stitching
No finger traps
Strong silent tip-up mechanism
Wide choice of fixed writing ledges
Flammability BS 5852 2006

Turn & Learn™

DIMENSIONS

Centre to Centre :	Variable – 500mm min. (Fixed) Variable – 750mm min. (Swivel)
Backrest Height :	790
Closed Depth:	310
Opened Depth:	590
Seat Height:	450±10



DESCRIPTION & SPECIFICATION

Structure

- Horizontal beam structure of 80mm x 40mm x 3mm.
- Hollow section pedestal with base plate 8mm thickness.
- BS 3692 Specification for ISO metric precision hexagon bolts, screws and nuts. Metric Units.
- BS EN 12727: 2000 Specification for strength and durability.

Backrest and Seat.

- Injection molded co-polypropylene.
- UV Inhibitors are added at a rate to ensure no significant colour or plastic deterioration for a period of five (5) years.
- Seat and Back is free of fasteners for upholstery pads.
- Seat pad is constructed of injection molded polypropylene inner with molded polyurethane foam cushion and upholstered in fabric of choice.
- Back pad is constructed of injection molded polypropylene inner (typical wall thickness 3.5mm) with a 30mm polyurethane foam covering and upholstered with fabric of choice.
- Beam mounted tip-up seat with ergonomically design back and seat.

Metal / Fabric Finishing

- All metal parts exposed shall be stripped and cleaned with iron phosphate, hot water rinsed and then chromic acid rinsed.
- All metal parts are coated with an epoxy finish of at least 60 microns for indoor use and hot dipped galvanized to BS 729 for outdoor use.
- Conformity with BS-6496 hardness test.

Fire Safety

- Flammability compliance with BS 5852 : 2006 section 3 ignition source