



# Safetyworks

& Solutions Ltd  
Access & Cat Ladders

# Access & Cat Ladders

## Testing & Accreditation

Each Cat ladder is designed in house following CE code EN1090 allowing Safetyworks to produce critical structures.

The caged access ladders are compliant with BS code BS5395 and EN4211.

Finished in hot galvanising dip helps to ensure the longevity of life needed by a permanent external ladders.

All drawings are given to a structural engineer to ensure the ladders performance.

## Access & Cat Ladders

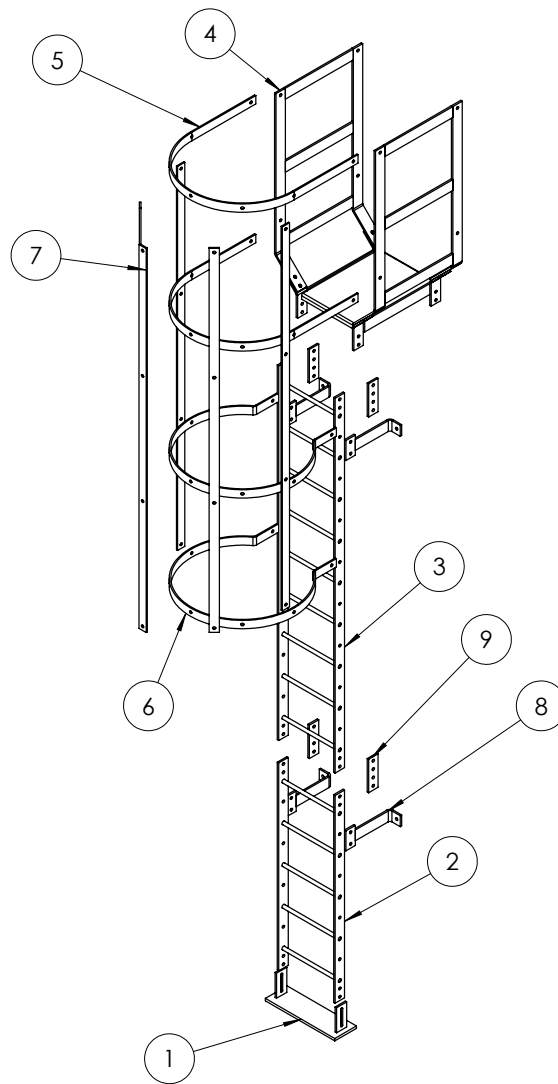
Steel galvanised cat ladders are a permanent method of roof access, made from galvanised steel they are designed to withstand all outdoor weather.



With individual spans of ladder sections a cat ladder solution can easily be created to suit the need and dimensions of the buildings, with simple cutting down of the bottom ladder treads to allow it to fit on to the roof.



# Access & Cat Ladders



Item No.	Part No.	Description	Exploded View/ QTY	Weight (KG)
1	BTL Spreader 1	Ladder Spreader Plate	2	9.82
2	BTL/1245	BT Ladder 1245mm	1	16.88
3	BTL/2245	Bt Ladder 2245mm	1	30.50
4	BT Landing 3	Ladder Landing 600	2	57.25
5	BT HOOP/1	Top Hoop	2	6.14
6	BT HOOP/2	Bottom Hoop 5 Straps	2	6.44
7	BT/Strap	Ladder Strap	5	7.13
8	BT LT/1	BT Ladder Tie	4	2.15
9	LADDER/JP	Ladder Joining Plate	4	0.95
10	BT Landing 2	Ladder Landing 800	1	68.08
11	BT Landing 4	Ladder Landing 1200	1	89.74
12	BT Landing 5	Ladder Hatch Landing 220	1	8.56

# Access & Cat Ladders



## Ships Ladders or Companionway Ladders

Used in place of a standard ladder or staircase where the angle of the ladder is between 60-75%. The ships ladder is made bespoke for each job.



## Ladder Shields

Put in place to stop peoples unauthorised access up cat ladders, the galvanised steel sheet is locked through the use of a padlock at the base of the ladder. Once unlocked the ladder can be used as usual.

Material: 2.5mm Steel Sheet, Hot Dip Galvanised

Fixings: M12 Resign Fixings Into Brick Work



## Ladder Boxes

Used to store ladders up to a height of 2.5M while they are not in use. Internal security bar allowing ladders to be padlocked as well as locked within the ladder box. Galvanised to BS/EN 1461 1999 and then finished with powder coat.

Dimensions: H2100mm W600mm D300mm

Material: 2.5mm Steel Sheet, Hot Dip Galvanised

Fixings: Bolt on to the of the cat ladder