

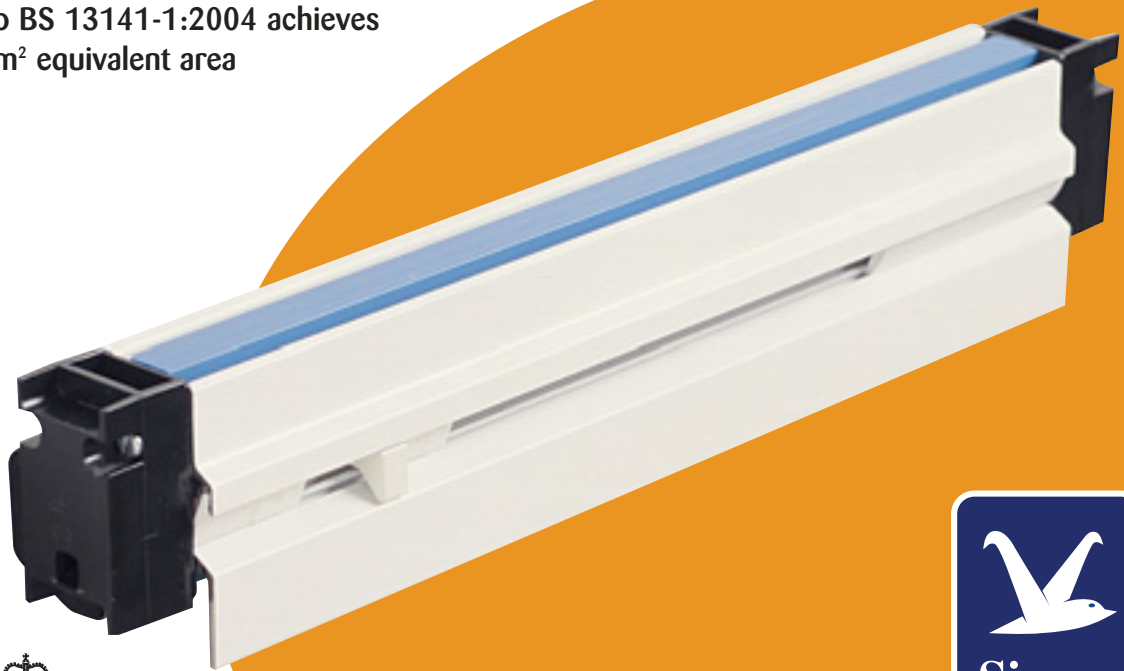
# Simon

The Airstrip 300 is a thermally broken glazed in ventilator which incorporates the unique Simon PVCu twin shutter system. Slim design combined with the high performance and excellent aesthetics make this an ideal unit for the architectural, commercial and local authority markets.

# Airstrip300

## Specification

- Slim, aesthetic design
- High performance glazed-in ventilator
- Thermally broken
- Twin open and closed shutters
- Trickle ventilation as standard
- Knob and cord operation available
- Controllable
- Tested to BS 13141-1:2004 achieves 4,103mm<sup>2</sup> equivalent area
- Easy assembly and installation
- Suitable for 20mm, 24mm and 28mm double glazed units
- Independently acoustically tested in accordance with BS EN 20140-10:1992, ISO 140-10:1991



**Simon**

**Air Management  
Systems**

**R.W. Simon Limited** System Works, Hatchmoor Industrial Estate,  
Torrington, Devon EX38 7HP United Kingdom  
Tel: 01805 623721 Fax: 01805 624578 E-mail: [info@rwsimon.co.uk](mailto:info@rwsimon.co.uk)

**Web: [www.rwsimon.co.uk](http://www.rwsimon.co.uk)**

# Simon



# Airstrip 300

## Design criteria

Suitable for 20mm, 24mm and 28mm glass thickness.  
Glass height reduction 45mm.  
Polyester paint finish in standard colours:  
White (ref HIPCA) Black (RAL 9005) Brown (RAL 8019)  
or any other colour as a non standard request.  
Simon Airstrip 300 is available with mixed internal/external  
colour combinations.  
Available with knob or cord control.

## Performance

Independently tested to BS EN 13141-1:2004  
5000 mm<sup>2</sup> EA achieved on a length of 1,218 mm.  
2500 mm<sup>2</sup> EA achieved on a length of 609 mm.  
Water tightness limit of 300 pa.  
Independently acoustically tested in accordance with  
BS EN 20140-10:1992, ISO 140-10:1991

## Manufacture

Simon Airstrip 300 is produced under ISO 9001 Quality  
Systems

## Assembly

Simon Airstrip 300 may be supplied made to order or in stock  
length of 3.7 metres.

### Components:

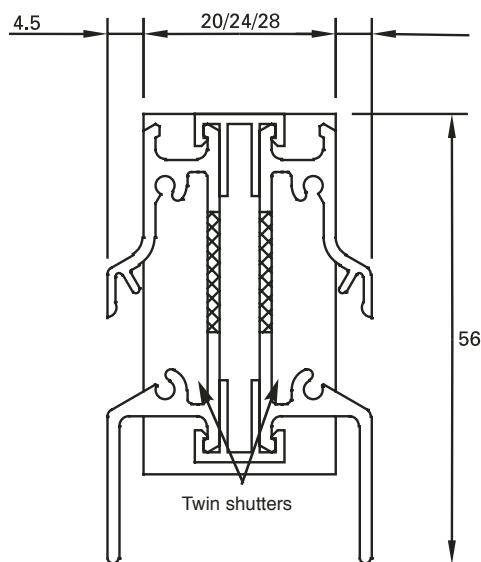
Supplied assembled with thermal break.  
Aluminium body and 2 x PVCu shutter strips-supplied  
assembled.  
External hood and fixing screws.  
Optional internal updraught deflector and fixing screws.  
Pair of end caps (16mm or 20mm).  
Knob or cord control mechanism.  
Trickle ventilation baffle plate  
4 x screws  
Flyscreen

Airflow rates quoted are for when the units are fitted in accordance with manufacturers  
recommendations. Tested in accordance with BS EN 13141-1:2004

## Maintenance

The Simon Airstrip 300 may be cleaned with normal window  
cleaning methods.

Glass height reduction 45mm? (not to scale)



Independent Equivalent Area testing carried out by BSRIA.

AIRSTRIP 300		
Pressure Difference (PA)	Volume (litres/second)	Equivalent Area (mm <sup>2</sup> )
1	3.23	4103
2	4.63	4174
4	6.68	4245
8	9.59	4319
10	10.77	4343
20	15.48	4417



**Simon**  
Air Management  
Systems

**R.W. Simon Limited** System Works, Hatchmoor Industrial Estate,  
Torrington, Devon EX38 7HP United Kingdom  
Tel: 01805 623721 Fax: 01805 624578 E-mail: info@rwsimon.co.uk