

# AJAX Righthite Pneumatic Step Unit

for top loading tanker and platform access



Safe Access

AJAX Safe Access Systems: Protecting your workers in hazardous and high level environments.

The AJAX Righthite Pneumatic Step Unit is suitable for all rail and road tanker loading and platform access, and is available in a range of standard sizes to suit many height variations.

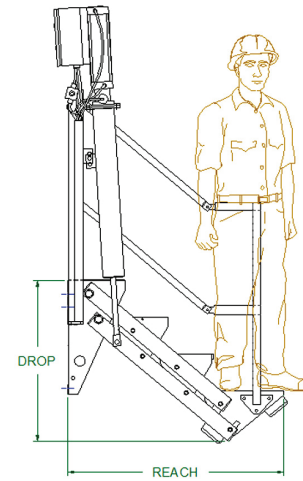
## Technical Specification

All Units are manufactured and constructed to the highest quality for long lasting durability and many years of maintenance free operation in harsh environments.

Constructed from galvanised mild steel to BS 729 for long lasting durability in harsh environments.

All Units comply with ATEX 95 equipment directive 95/9/EC this concerns the supply and use of equipment in potentially explosive atmospheres.

Pneumatically operated rod locks are mounted to each spring box to allow easy operation using the built in control panel. Units require a compressed air supply of 5.5 bar; air consumption is 80 litres per cycle.



Pneumatic Step Unit illustration

## Optional Extras

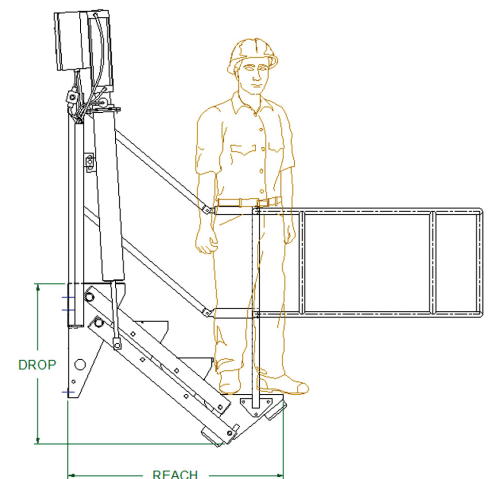
An optional safety cage can be fitted to any pneumatic Step Unit which is constructed from galvanised mild steel to BS 729.

## Support

AJAX offer on-going staff training and instruction as well as annual inspection and maintenance contracts.

## Delivery

Delivery is available on request - POA. Delivery is from our manufacturing site in Nottingham.



Pneumatic Step Unit with Cage illustration

## AJAX Safe Access | by Canal Engineering Ltd

Tanker access steps, platforms, pallet gates and barriers; engineered for reliability, simple operation and outstanding value.

For advice regarding the most suitable product for you please contact our Safe Access expert today to discuss your bespoke requirements.

MODEL	UNIT DIMENSIONS (mm)		CAGE DIMENSIONS (mm)			STEP WIDTH (mm)				OPTIONAL EXTRAS
	DROP	REACH	WIDTH	LENGTH	HEIGHT	800	1000	1200	1500	CAGE
MK 2	481	685	1200	1200	550	X	X	X	YES	YES
MK 3	677	919	1200	1200	550	YES	YES	YES	YES	YES
MK 4	874	1152	1200	1200	550	YES	YES	YES	YES	YES
MK 5	1070	1386	1200	1200	550	YES	YES	YES	YES	YES
MK 6	1280	1619	1200	1200	550	YES	YES	YES	YES	YES
MK 7	1490	1853	1200	1200	550	YES	YES	YES	YES	YES

Visit [www.ajax.eu.com](http://www.ajax.eu.com) for the product demonstration video and download the technical data sheet for drawings and optional extras.

