

# AJAX Swing Arm Pallet Gate

for all-round edge protection



AJAX Safe Access Systems: Protecting your workers in hazardous and high level environments.

The AJAX Swing Arm Pallet Gate is a heavy duty construction recommended for larger loads and suitable for all loading or unloading of pallets from various height openings.

## Technical Specification

All Pallet Gate Units are manufactured and constructed to the highest quality for long lasting durability and many years of maintenance free operation in harsh environments.

The Units are manufactured from mild steel and finished in powder coated yellow to BS 08E51 or galvanised to BS 729. Other finishes are available on request.

The Pallet Gate Units are counterbalance manually operated.

## Clearance

A minimum height clearance required for the Pallet Gate Unit to operate is 2000mm.

## Installation

AJAX offer supply only or full installation and commissioning: Supply only units come with full installation instructions. AJAX also offer on-going staff training and instruction as well as annual inspection and maintenance contracts.

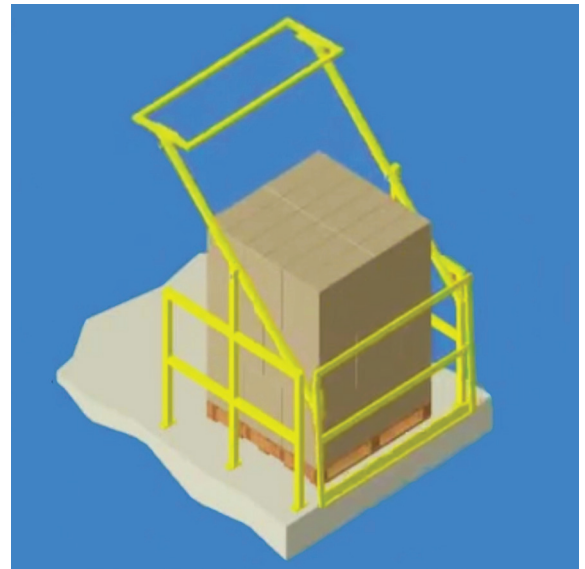
## Delivery

Delivery is charged at £1 per mile one way from our manufacturing site in Nottingham. POA for deliveries over 200 miles.

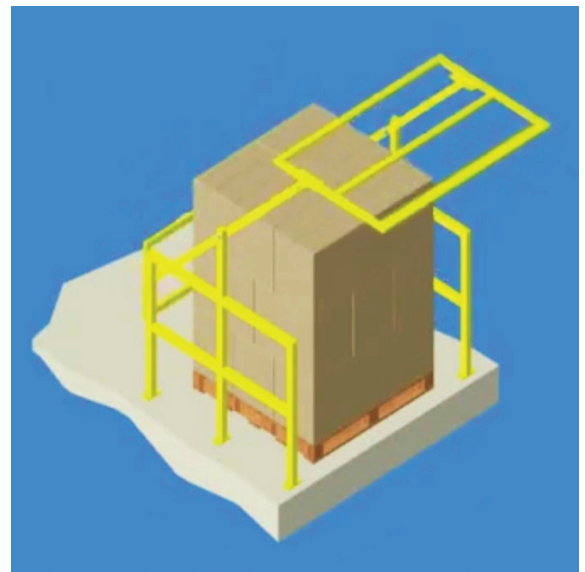
## AJAX Safe Access | by Canal Engineering Ltd

Pallet gates and barriers, tanker access steps and platforms; engineered for reliability, simple operation and outstanding value.

For advice regarding the most suitable product for you please contact our Safe Access expert today to discuss your bespoke requirements.



Single Pallet Gate Unit closed with load illustration



Single Pallet Gate Unit open with load illustration

MODEL	UNIT DIMENSIONS (mm)			MAX LOAD DIMENSIONS (mm)		
	WIDTH	DEPTH	HEIGHT	WIDTH	DEPTH	HEIGHT
SINGLE	1730	1480	2000	1200	1200	1800
DOUBLE	2930	1480	2000	2400	1200	1800

Visit [www.ajax.eu.com](http://www.ajax.eu.com) for the product demonstration video and download the technical data sheet for drawings and optional extras.

