

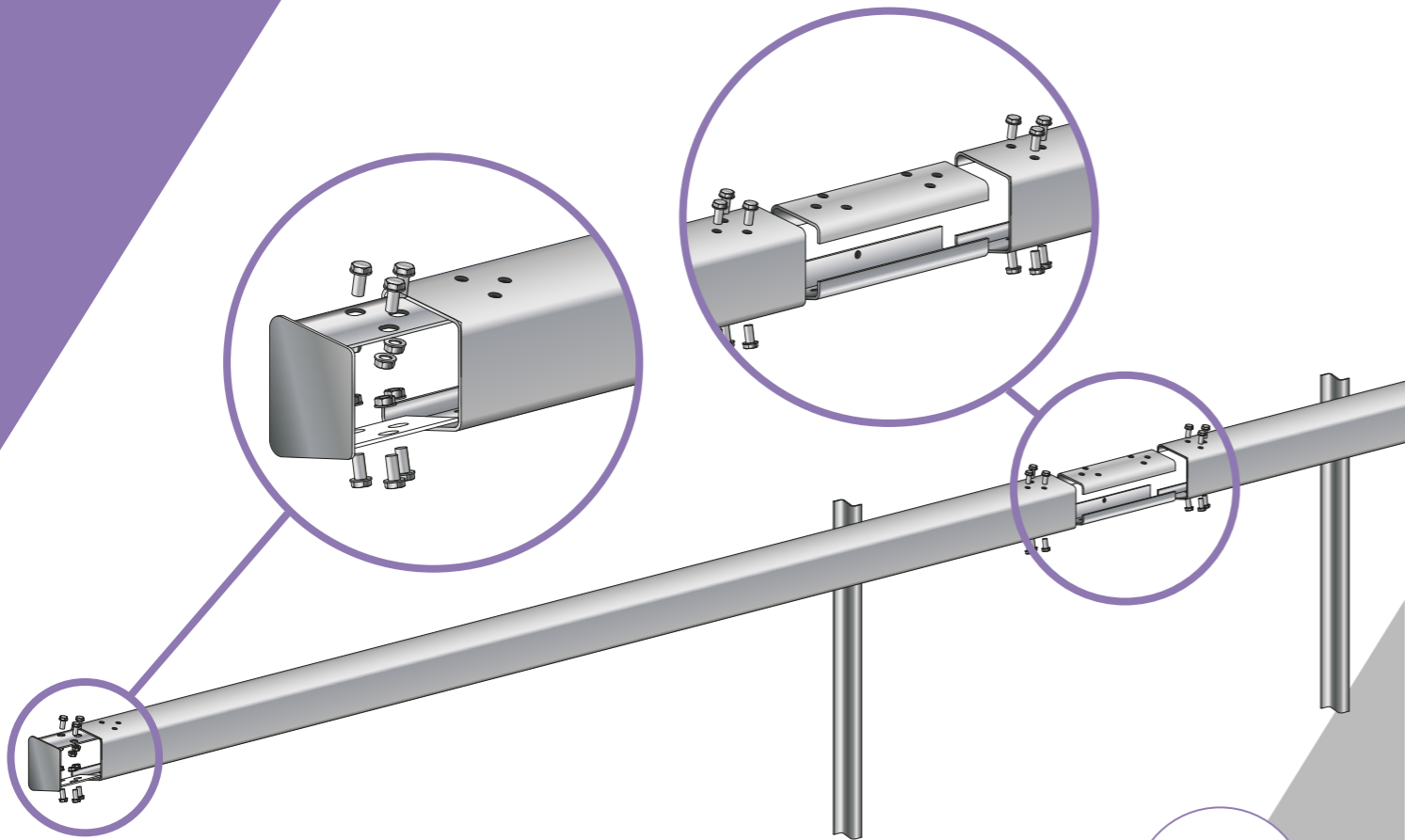
Open Box Beam

Open Box Beam

Open Box Beam safety barrier provides an alternative to the standard corrugated system and is particularly suitable where a stronger safety barrier is required. Open Box Beams are supported on the same posts as used with the corrugated system but the fixing is achieved with a clamp plate and joints are secured with fish plates. This means that the post centres are fully variable if required and can be set at closer centres for heavy duty applications. See the section on Corrugated Safety Barrier for details of the full set of posts and barriers available for this product.

Product and Finish Standards

- Product and Finishing Standards All items have a standard galvanised finish.



Fixings

- LAP BOLT SETS – CBB1635
M16x35mm Lap Bolt Set, used to bolt the Open Box Beam together
- POST CLAMP BOLT SETS – CBB1035
M10x35mm Post Clamp Bolt Set, used to bolt the Open Box Beam to the Post Clamp Plate
- THROUGH BOLTS – FTB16175
M16x175mm Through Bolts, used to bolt the Base Plated Posts and the Sprung Barrier Brackets onto concrete
- CHEMICAL RESIN SYSTEM - M16x190mm Chem Stud (FST1619), used to bolt the Base Plated Posts and the Sprung Barrier Brackets onto concrete. We supply the complete system including the chemical resin (FCHPUF), puffer pump to remove dust from holes (FCHT380) and dispensing gun to take chemical resin tube (FCHGUN).



FST1619



FCHPUF



FCHT380



FCHGUN



CBB1635



CBB1035



FTB16175

Suitable For:

Industrial Estates, Car Parks, Warehouses. It is not suitable for use in highway applications.

For more details on this product please visit our website:
www.alexandrasecurity.com/barriers



Open Box Beam – CBOB48

Open Box Beam safety barrier provides an alternative to the standard corrugated system and is particularly suitable where a stronger safety barrier is required.

Beams are supported on the same posts as the corrugated system, but the fixing is achieved with a post clamp plate. This means that the post centres are fully variable if required and can be set at closer centres for heavy duty applications.

Code	Length O/A	Effective Length	Material	Finish	Weight
CBOB48	4800mm	4800mm	5.0mm thick	Galvanised	98.0kg



Fish Plate Connector – CBOBFP

The Fish Plate Connectors are used in pairs to join Open Box Beams together. Clamped inside the beam (as shown in the illustration) 12 M16 x 35mm lap bolt sets are required.



Post Clamp Plate – CBOBPCP

The Post Clamp Plate is used to secure the Open Box Beam to the posts. One M10 x 35mm bolt set is required. The Open Box Beam is clamped between the post and the Post Clamp Plate.



End Cover – CBOBEC

The End Cover can be used to terminate a run of Open Box Beam barrier. Six M16 x 35mm lap bolt sets are required to join the End Cover to the Open Box Beam.



90° External Corner – CBOBC90E

Suitable for use where two runs of barrier meet at 90°, effectively joining and eliminating any gap in the barrier.

12 M16 x 35 lap bolt sets are required to join the External Corner to the Open Box Beams.



90° Internal Corner – CBOBC90I

Suitable for use where two runs of barrier meet at 90°, effectively joining and eliminating any gap in the barrier.

12 M16 x 35 lap bolt sets are required to join the Internal Corner to the Open Box Beams.