

# LANGFULTON

## AntiVertigo Floor Grating & Stair Treads for ultimate privacy and safety



The **ANTI-VERTIGO SYSTEM** of steel and stainless steel floor gratings has been designed for suspended stairs and flooring where height might cause problems of dizziness or lack of privacy. The principal characteristic of the grating is that the bearing bar is shaped so that transparency is obstructed from any viewing angle. While providing a total visual screen, the grating retains a similar open area between the bars to a conventional grating for ventilation or drainage. AntiVertigo is available either as stair treads or as flooring planks with framing bars which are shaped to connect by sliding together without any lateral fixing.

**TRANSPARENCY:** 100% visual screening from any angle of observation

**HEEL-PROOF:** 12mm space between the bearing bars

**ANTI-ICE:** virtually no surface where ice can form or be retained

**ANTI-SLIP:** in compliance with DIN 51130 (06/2004) - R10 CLASS

**APPLICATIONS:** modular floor panels and stair treads for suspended flooring, emergency stairs and fire escapes

**MATERIAL:** Steel S235R UNI EN 10025:2005 or Stainless Steel AISI Type 304

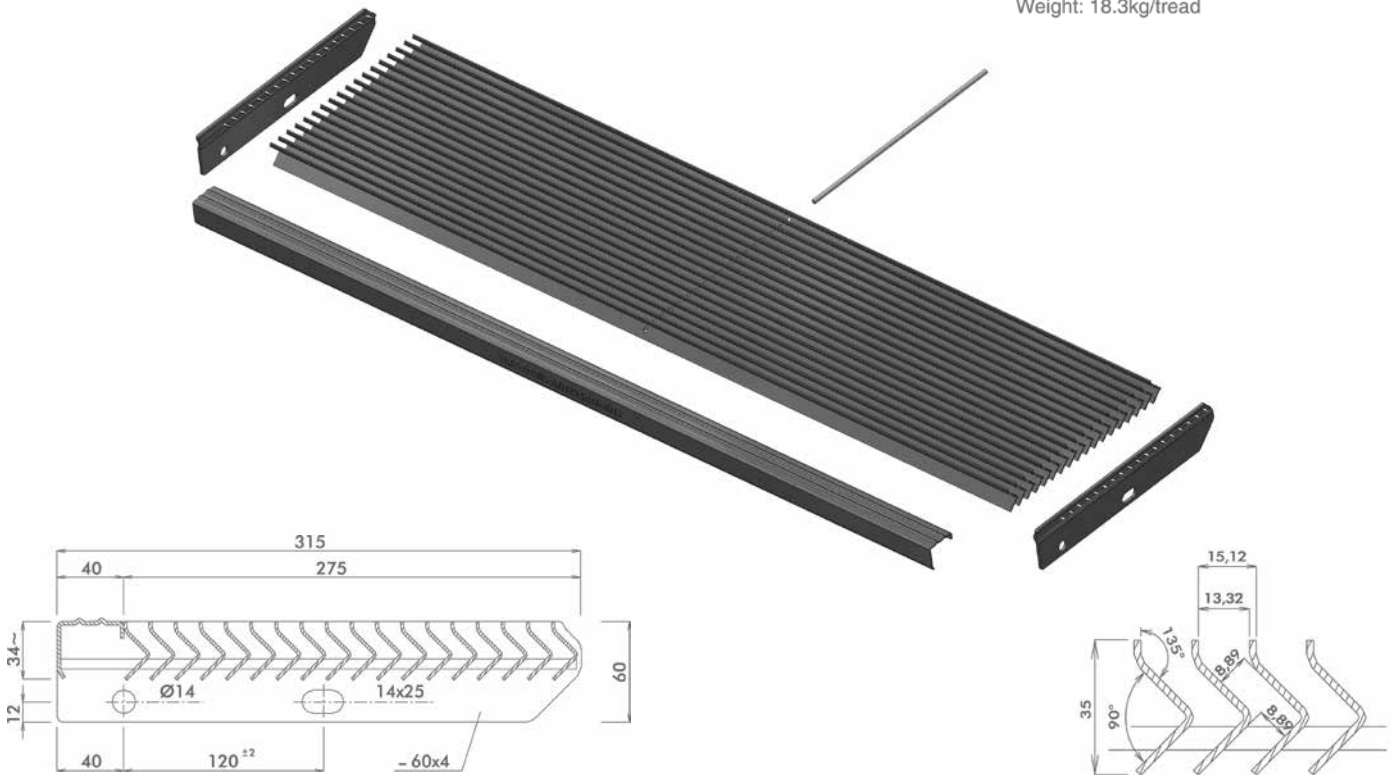
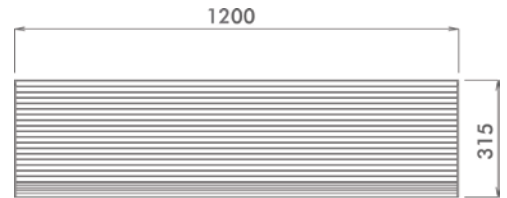
**COMPONENTS:** profiled bearing bars 1.8 mm thick; single round transverse bar  $\varnothing$  6 mm

**FINISH:** hot-dip galvanized to UNI EN ISO 1461



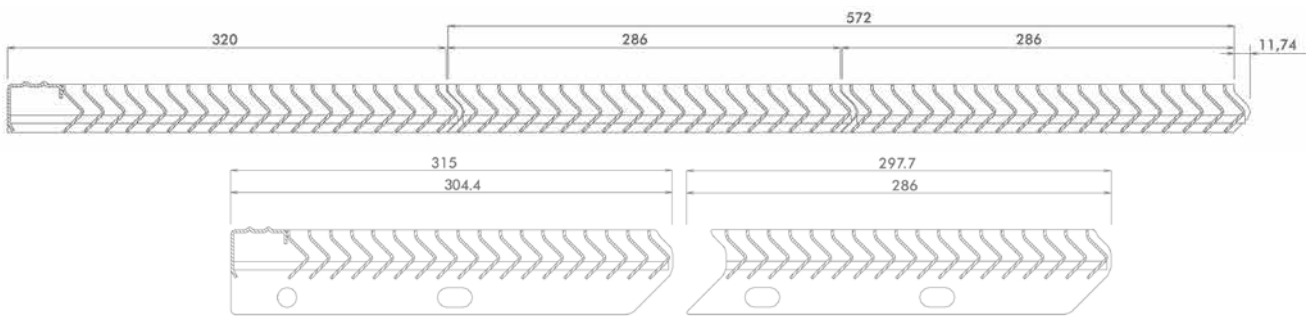
## STAIR TREADS

The AntiVertigo system complies with BS4592-0 for people evacuation.  
 Standard Tread Width: 1200mm  
 Non-standard widths also available but require additional support above 1200mm.



## FLOORING PANELS

Flooring panels are manufactured to a modular format so that they can be combined through a neat interlocking of the framing bar to create a continuous surface without interruption to the visual screening effect. A standard landing or platform is composed of several Intermediate Panels and an End Panel with an anti-slip nosing extension. Non-standard infill panels are made to custom sizes.



Flooring panels are framed either with a 34x4mm flat bar for laying on a steel section support or with a 60x4mm flat bar for side bolting.

Panel Type	Width (mm)	Length (mm)	Weight (kg)
Standard Intermediate	1200	286	16.2
End	1200	320	17.8

Flooring panels are available in non-standard widths up to 2000mm wide; any width greater than 1500mm will require additional support. Consult Lang + Fulton's Technical Office.

# LANG+FULTON

Newbridge Industrial Estate, Newbridge, Edinburgh EH28 8PJ  
 t: 0131 441 1255 sales@langandfulton.co.uk www.langandfulton.co.uk