

Unrivalled service and support

From the moment you make your first enquiry through to final installation Armitage Venesta work in partnership with you to make sure you receive knowledgeable advice and full technical support at every stage. We also conduct Continuous Professional Development (CPD) presentations for the benefit of specifiers. To give you this unrivalled level of service we follow a six stage plan. This includes:

1. First contact

Our sales team will advise you on suitable products for your requirements and supply you with product literature and colour samples.

2. Specification service

Our national team of advisors will be happy to help you select the most suitable products for each project.

A full NBS specification service can be provided.

3. Estimating

A comprehensive estimate is prepared, giving a detailed breakdown of materials and prices.

4. Layout drawings

Each order is supported with a full CAD service to ensure that design, performance and installation criteria are met.

5. Delivery

A prompt and efficient delivery service operates throughout the UK to exact lead times. Standard cubicle specifications can be delivered within 3 weeks (4 weeks for Matrix) of a confirmed order. Full height cubicles have extended lead times. An additional week is required for deliveries to Ireland.

6. After-sales support

Just call us for prompt product support and for ordering replacement parts or additional products.

Guarantee

All Armitage Venesta washroom systems are guaranteed for 3 years under Armitage Venesta's Integrity Guarantee Programme.

Maintenance

Armitage Venesta washroom systems are designed to be low maintenance and hard-wearing. Fittings are made from self-coloured materials that retain their good looks despite heavy use.

Terms and conditions

Orders are subject to our Standard Terms and Conditions published on each order acknowledgement or available in advance upon request.

Complementary products

To give you the scope to create a fully integrated washroom system that meets your precise budget and design requirements Armitage Venesta offer a range of complementary products.

IPSEvolve

IPSEvolve is our unique metal framed Integrated Plumbing System incorporating Armitage Shanks and Ideal Standard's commercial sanitaryware and fittings. Should you choose to specify IPSEvolve, each unit is delivered pre-plumbed and pre-assembled onto wall panels and vanity units, making installation easy, fast and economical. For further details please refer to our IPSEvolve brochure or call 01474 353333.

Duct panels

A full range of non-plumbed colour co-ordinated duct panels are available, please call 01474 353333 for further details.

Accessories

A range of accessories carefully designed to enhance your washroom including soap dispensers, hand dryers and toilet roll holders.

Vanity units

Armitage Venesta have an extensive range of vanities, including 'Oslo' glass and 'Stockholm' solid wood. For an overview of our vanities offer please visit our website www.armitage-venesta.co.uk or contact our sales team who will be happy to forward a Vanities brochure.

Colour selection

Armitage Venesta offer an unprecedented range of colours and finishes as standard for their washroom systems. This allows you full creative rein to use complementary or contrasting colours on surfaces and panel lipping. In addition, bespoke colours can be supplied to order.

Please refer to the colour selectors, or call 01474 353333 for advice or any colour samples. Alternatively, colours can be viewed by visiting our website at www.armitage-venesta.co.uk.

armitage venesta
Washroom Systems

Chartwell Court
West Mill
Imperial Business Park
Gravesend
Kent DA11 0DL
Telephone 01474 353333
Facsimile 01474 533558
www.armitage-venesta.co.uk

M50 Business Park
Ballymount
Dublin 12
Telephone 1 800 931 880
Facsimile 1 800 931 881
www.armitage-venesta.com




armitage venesta
Washroom Systems

Centurion

Featuring strong aluminium pilasters and headrail, Centurion delivers style to even the harshest of washroom environments.

A choice of standard or full height cubicles adds to the system's flexibility.

A photograph of a modern washroom cubicle. The cubicle has a dark grey door with a silver circular handle. The door is framed by silver pilasters. The background is a light blue wall. The floor is a light grey tile.

When you specify Armitage Venesta you are investing in a name you can trust to deliver quality, value for money and unrivalled service. We have over 70 years experience in supplying washroom systems for every type of commercial use. Our products have stood the test of time not only in prestigious office and hotel developments, but also in the most vandal prone environments. Whatever the location we can provide you with the ideal solution.

Centurion delivers strength, style and easy maintenance characteristics to harsh washroom applications. The system features a choice of silver anodised or dark/light grey powder coated aluminium for both pilasters and headrail.

The additional option of standard or full height cubicles makes Centurion's flexibility easy to specify

Included in the Centurion washroom: duct panels, vanity units and light pelmets available in four performance options.

For more information on Armitage Venesta visit www.barbourproductsearch.info



Inter pilasters are designed →
to link a multi cubicle run.
Aesthetically rounded extruded
aluminium gives exceptional
rigidity to cubicles.

W 180mm D 65mm



Block fittings are used to
locate and secure pilasters
to the floor.

W 42mm



↑ Wall channels encase
board edges and neatly secure
panels to the wall.

W 24mm D 40mm



↑ End pilasters are designed to
support the end of a cubicle
run. Corner detail wraps around
panel to give more protection.

W 90mm D 65mm



Hinges allow a small
gap between door and
pilasters, reducing the
risk of trapped fingers.

L 75mm



↑ For flexibility, Centurion is also
offered in dark grey powder
coated finish for pilasters
and headrails.

Round high strength
aluminium indicator bolts
with a simple emergency
release facility combine
safety and ease of use.

W 55mm x 55mm



Centurion Glass

Incorporate glass doors and partitions to Centurion's stylish pilaster design and you have a contemporary solution for prestigious washroom environments

Designed specifically for glass the latch indicator bolt is available in two finishes to complement the pilaster options.

Fascia L 85mm W 45mm

↓ Overall latch width 110mm



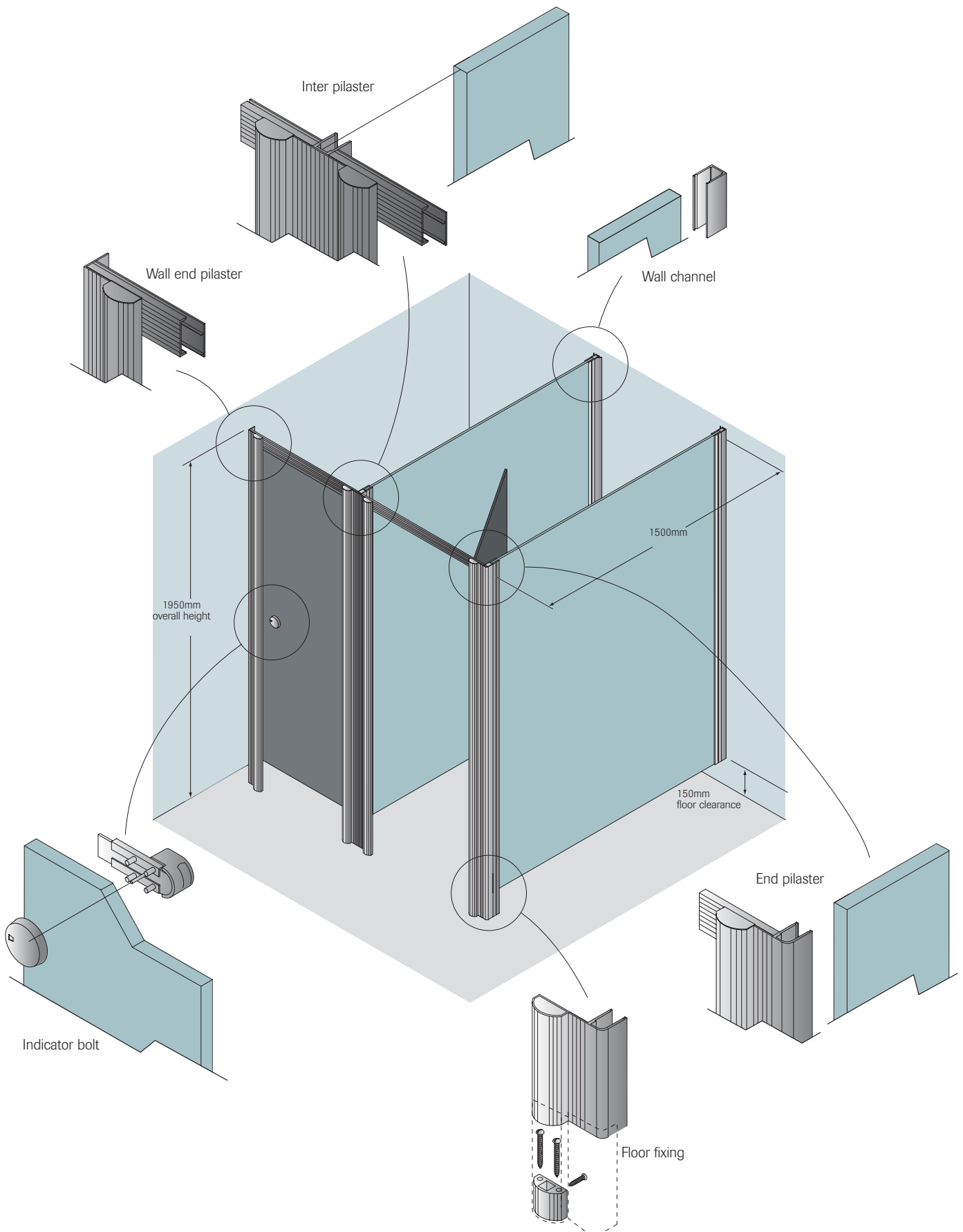
Strong stainless steel hinge with fascia plate. Finished to complement the chosen pilaster option.

↓ Fascia plate L 100mm W 30mm

↑ Two pilaster and headrail options;
Silver anodised aluminium or
dark grey powder coated aluminium



Standard height Centurion cubicles



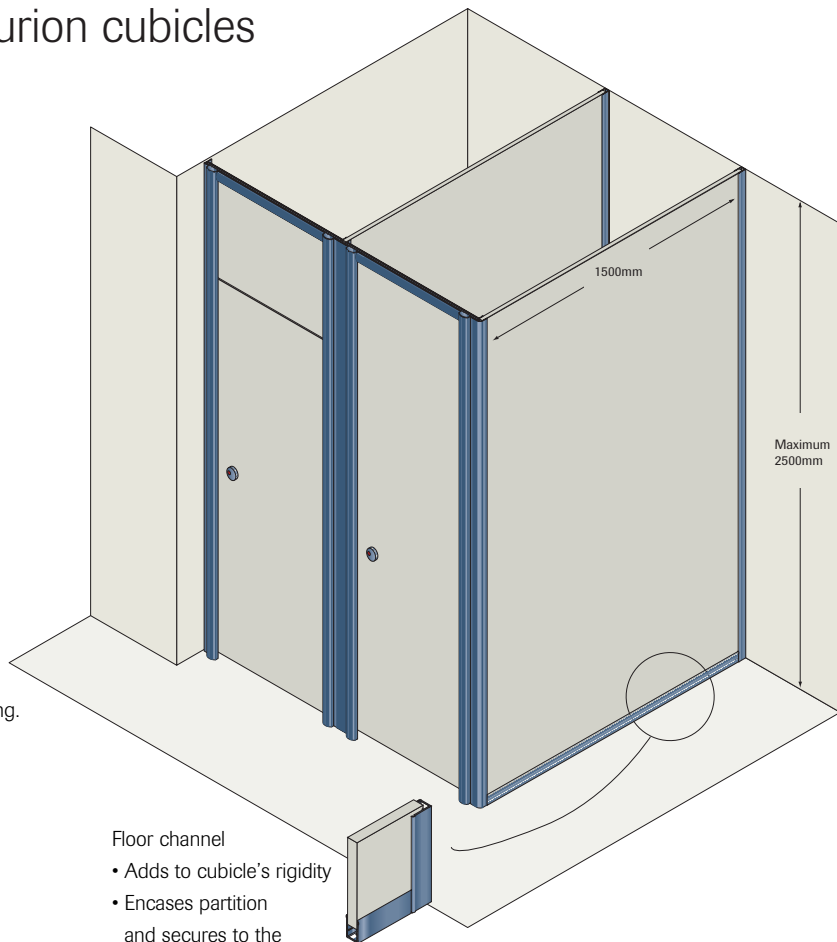
Full height Centurion cubicles

Door with over panel

All fixing components are the same as the standard height option with the addition of the floor channel.

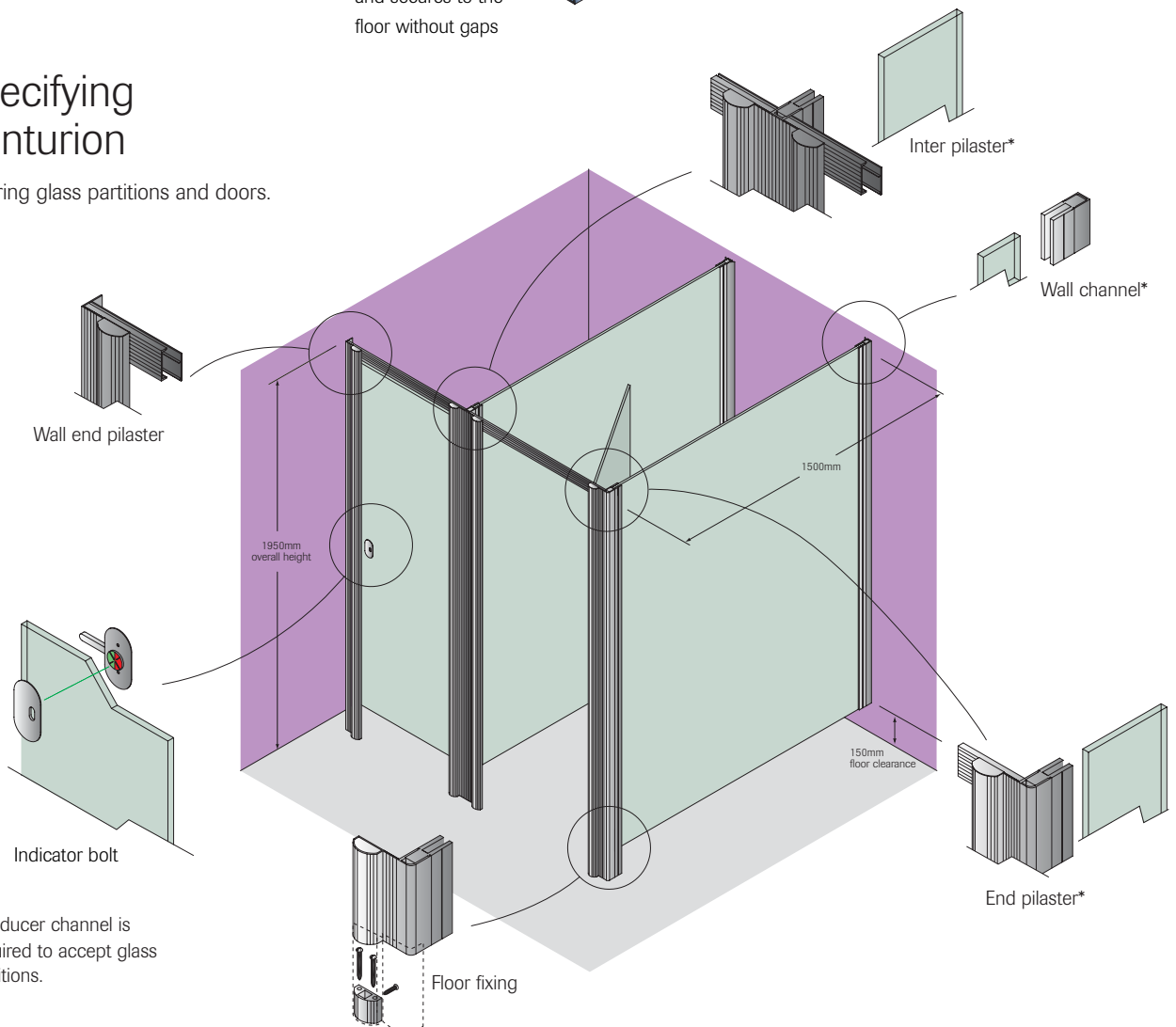
Please note:

- On full height Centurion there must be a clearance of 15mm between the door and the headrail or between the door and the over panel.
- Please allow 15mm clearance between the door and the floor.
- Please allow 30mm clearance between the headrail and the ceiling.



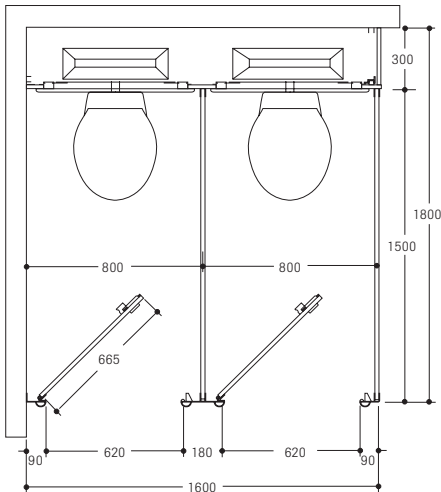
Specifying Centurion

featuring glass partitions and doors.

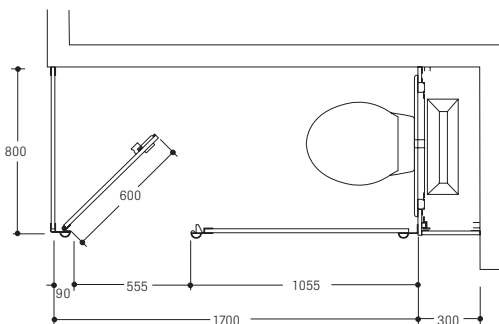


Cubicle sizes

A typical standard cubicle size of 800mm wide by 1500mm deep ensures the most economical use of materials. However, all Armitage Venesta cubicles are made to order and most sizes can be manufactured, including cubicles that comply with disabled access requirements. For further guidance please contact our sales office on 01474 353333.



Typical Standard Configuration



Typical Inline Configuration

Performance options

Centurion is available in 4 performance options suitable for every type of environment that is likely to be encountered, allowing you to specify exactly the right option to meet the site requirements within your budget target.

Centurion Project

The most economical option for dry environments, such as office washrooms where vandalism is not a likely problem. The panels are manufactured from 19mm high performance melamine faced 730kg/m³ grade chipboard, which is moisture resistant. All visible panel edges are lipped with profiled 3mm PVC.

Centurion Tufwall

Ideal for more heavily used washroom areas, these durable panels provide heat, scratch, impact and cigarette burn resistance. Made from 17mm V313 moisture resistant 680kg/m³ grade chipboard, the panels are faced both sides with high pressure laminate creating an overall thickness of 19mm. All visible panel edges are lipped with profiled 3mm PVC.

Centurion Resista

Solid grade offers ultimate performance in the most demanding environments. The panels are extremely resistant to impact and have surfaces and cores that are totally impervious to water. Each panel is 13mm thick and has polished black radiused edges as lipping is not required.

Centurion Glass

10mm thick toughened safety glass to BS6206. The following glass specifications are available;

100% white silk screen print on reverse of panel.

100% white silk screen print horizontally through the centre of the panel (1200mm wide).

Clear toughened safety glass.



NBS Services produce the National Building Specification in electronic format – NBS PLUS. This is a library of details and guidance, to facilitate accurate and easy completion of the NBS clauses for building products. Our products can be found within NBS PLUS, alternatively our advisors can provide you with a full specification service.

Below is a sample NBS for the Centurion washroom featured in this brochure:

Drawing reference
8749236/2B

Manufacturer
Armitage Venesta
Washroom Systems Limited

Range type
Centurion Tufwall

Panels and doors
Core material: moisture resistant 680kg/m³ grade chipboard 17mm thick.
Colour/finish: core faced both sides with 1mm thick high pressure laminate, overall thickness 19mm.
Partitions: Colour ref. Graphite
Doors: Colour ref. Graphite

Edge detail
All visible edges lipped with 3mm PVC.
Colour ref. Charcoal.

Framework
High strength, extruded silver anodised aluminium sections forming rounded pilasters, continuous wall fixing channel and headrail.

Accessories
Rounded, high strength, aluminium indicator bolt with emergency release facility and keep. Adjustable anti finger trap heavy duty aluminium hinges face fixed to both doors and pilasters.