

**armitage venesta**  
Washroom Systems

Chartwell Court  
West Mill  
Imperial Business Park  
Gravesend  
Kent DA11 0DL  
Telephone 01474 353333  
Facsimile 01474 533558  
[www.armitage-venesta.co.uk](http://www.armitage-venesta.co.uk)


M50 Business Park  
Ballymount  
Dublin 12  
Telephone 1 800 931 880  
Facsimile 1 800 931 881  
[www.armitage-venesta.com](http://www.armitage-venesta.com)



**armitage venesta**  
Washroom Systems

# Equinox

A premium and contemporary washroom system for prestigious environments, exclusively designed to deliver style, detail and flexibility.

A photograph of a modern washroom. The walls are a warm orange color. On the left, there are two stainless steel sinks with chrome faucets. Above the sinks is a large, rectangular mirror. To the right, there is a stainless steel cubicle with a white door and a silver handle. The floor is made of light-colored tiles with recessed circular lights. The lighting is bright and even.

When you specify Armitage Venesta you are investing in a name you can trust to deliver quality, value for money and unrivalled service. We have over 70 years experience in supplying washroom systems for every type of commercial use. Our products have stood the test of time not only in prestigious office and hotel developments, but also in the most vandal prone environments. Whatever the location we can provide you with the ideal solution.

Equinox features impressive aluminium and versatile laminate pilaster options, providing the designer with the flexibility to create a washroom that exceeds the demand for style without compromising on function. The range includes cubicles, duct panels, vanity units and light pelmets – available in 4 performance options making Equinox suitable for the most prestigious environments. Every element of the system, from the curved wall channels through to the elliptical shape of the aluminium pilasters is designed to emphasise the individuality of Equinox.

#### **Pilaster options**

Polished aluminium – creates a stunning visual impact.

Powder-coated aluminium – combining style with durability.

Laminate – colour flexibility and practicality.

For more information on Armitage Venesta visit [www.barbourproductsearch.info](http://www.barbourproductsearch.info)



## The polished pilaster option

Suitable for environments that anticipate low to medium levels of use.



Designed to link multi-cubicle runs, aluminium inter-pilasters have elliptical faces and provide a rigid framework. →

L 1800mm W 180mm D 40mm

Aluminium wall channels secure the panels and create curved corners inside each cubicle. ↓

L 1800mm W 52mm D 30mm



↑ Machined from a solid extrusion, the pedestals provide high strength with an architectural feel exclusive to Equinox. Shims allow adjustment between. 140mm and 160mm



← Indicator bolt fascia is machined from solid aluminium and features a simple to use external emergency release.

## Powder coated pilaster option

Suitable for environments that anticipate medium to high levels of use.



← Machined from a solid extrusion, the pedestals provide high strength with an architectural feel exclusive to Equinox. Shims allow adjustment between 140mm and 160mm

High strength aluminium indicator bolts are available in both light and dark grey to complement the powder coated finish.



The headrail and pilasters are available in: Light and dark grey powder coated.



Indicator bolt fascia is machined from solid aluminium and features a simple to use external emergency release.



## The laminate pilaster option

Suitable for most environments.

High pressure laminate pilasters are available in a wide range of colours. They are suitable to specify with melamine faced chipboard panels or high pressure laminate panels. ↓



Exceptionally strong aluminium hinges. →  
H 75mm W 35mm

Laminate panels are secured with strong elliptical aluminium cleats to create a rigid framework. Externally, the fittings are concealed. ↓

L 70mm H 60mm



↑ The vertical exterior edges of the laminate pilasters are postformed to present a continuous curved surface. Polished aluminium pedestals can be positioned on the front of the pilaster (minimum pilaster width 150mm) or alternatively on the cubicle partition.

← Indicator bolt fascia is machined from solid aluminium and features a simple to use external emergency release.

## Glass option

To create a truly luxurious washroom environment combine the elliptical design feature of the Equinox pilasters with the sheer elegance of glass.



Strong stainless steel hinge with fascia plate. Finished to complement the chosen pilaster option.

↓ Fascia plate L 100mm W 30mm

Two pilaster and headrail options; ↑

- Polished aluminium
- Dark or light grey powder coated aluminium

Designed specifically for glass the latch indicator bolt is available in the same finishes as the pilaster options.

Fascia L 85mm W 45mm

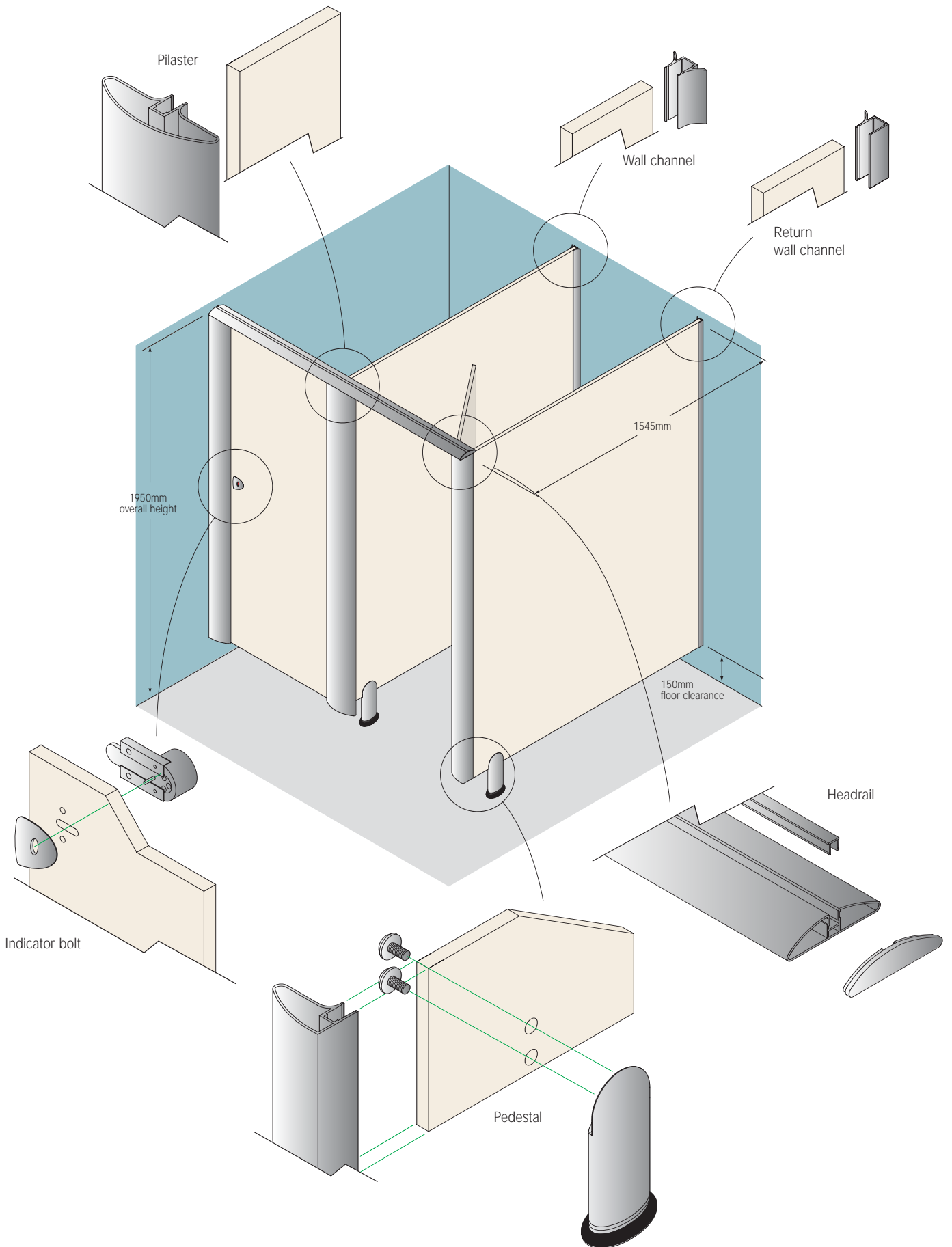
Overall latch width 110mm →





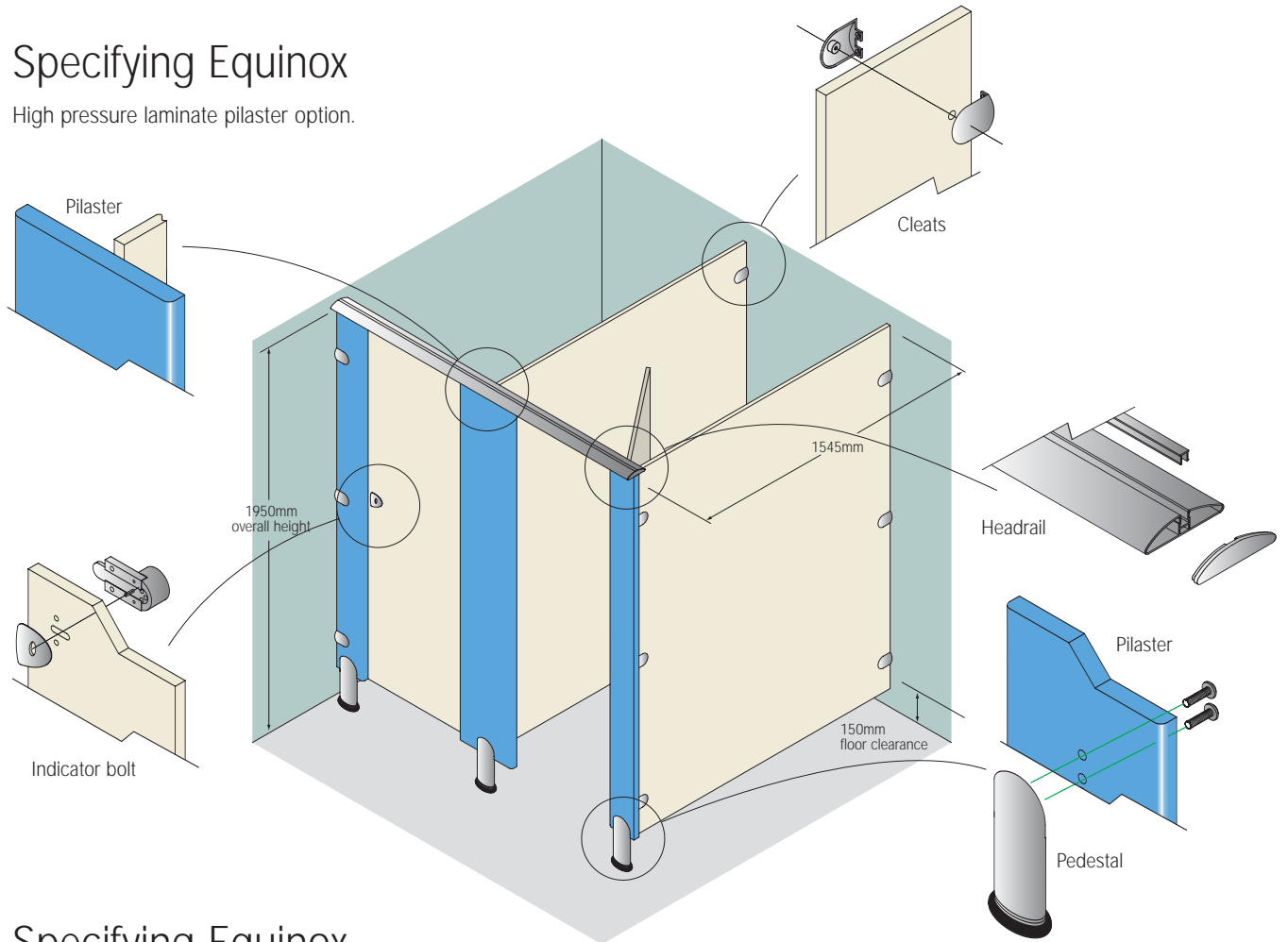
# Specifying Equinox

Aluminium pilaster option.



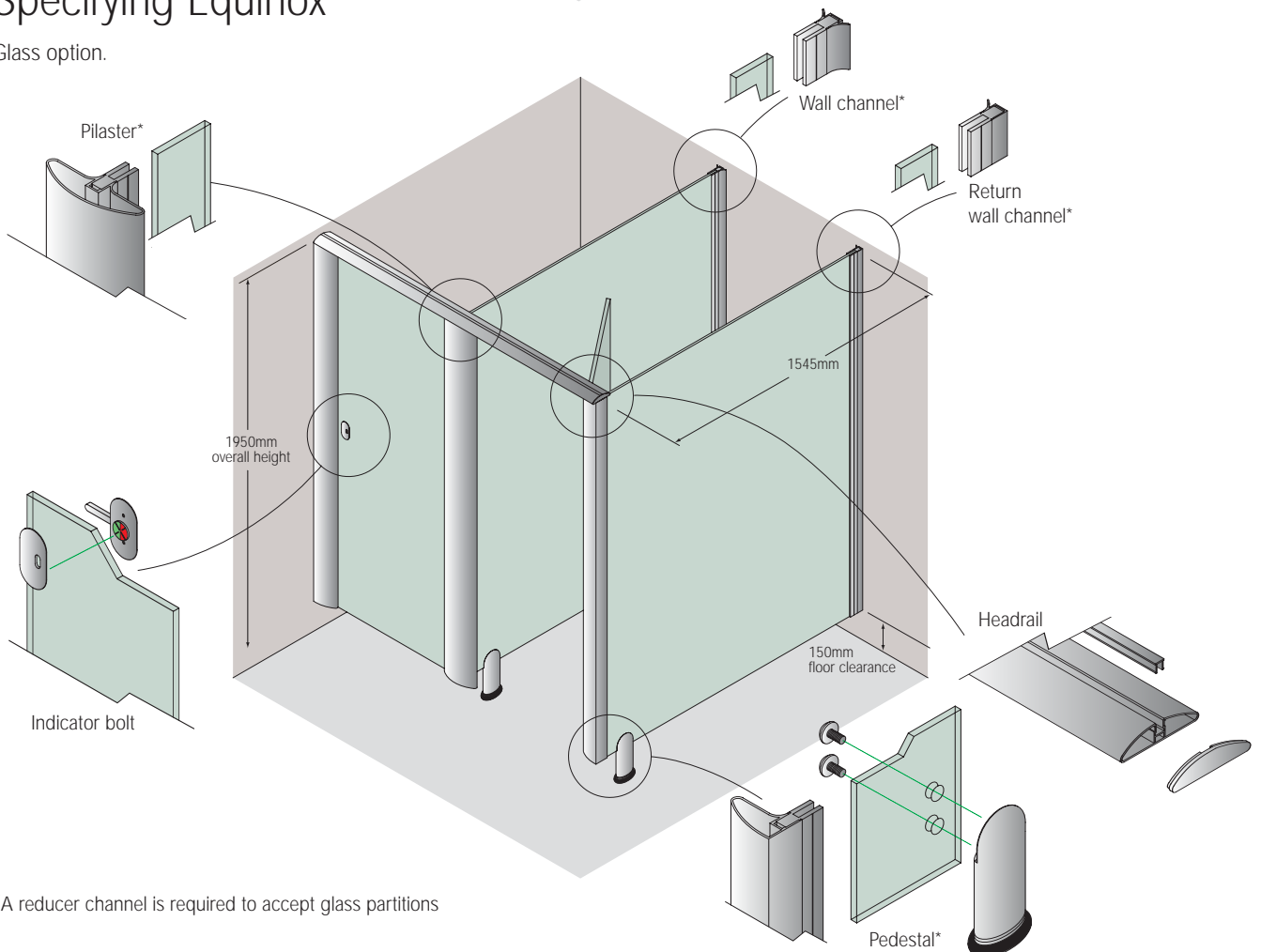
## Specifying Equinox

High pressure laminate pilaster option.



## Specifying Equinox

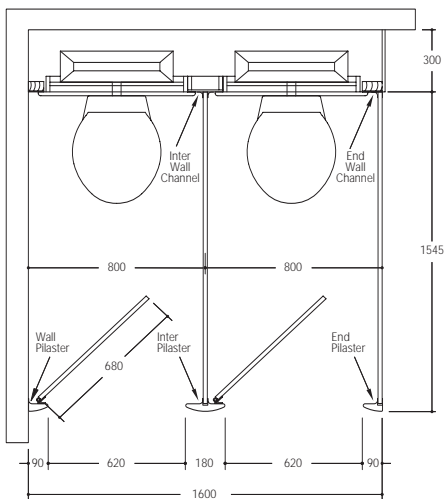
Glass option.



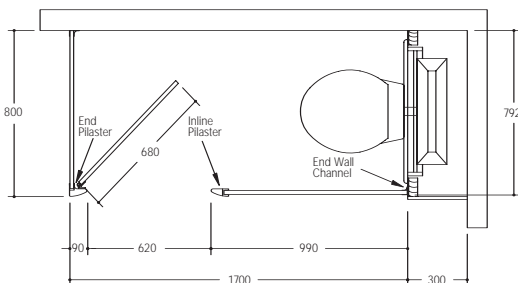
\*A reducer channel is required to accept glass partitions

## Cubicle sizes

A typical standard cubicle size of 800mm wide by 1545mm deep ensures the most economical use of materials. However, all Armitage Venesta cubicles are made to order and most sizes can be manufactured, including cubicles that comply with disabled access requirements. For further guidance please contact our sales office on 01474 353333.



Typical Standard Configuration



Typical Inline Configuration

## Performance options

Equinox is available in 4 performance options suitable for every type of environment that is likely to be encountered, allowing you to specify exactly the right option to meet the site requirements within your budget target.

### Equinox melamine faced chipboard

The most economical option for dry environments, such as office washrooms where vandalism is not a likely problem. The panels are manufactured from 19mm high performance melamine faced  $730\text{kg/m}^3$  grade chipboard, which is moisture resistant. All visible panel edges are lipped with profiled 3mm PVC.

### Equinox high pressure laminate

Ideal for more heavily used washroom areas, these durable panels provide heat, scratch, impact and cigarette burn resistance. Made from 17mm V313 moisture resistant  $680\text{kg/m}^3$  grade chipboard, the panels are faced both sides with high pressure laminate creating an overall thickness of 19mm. All visible panel edges are lipped with profiled 3mm PVC.

### Equinox compact laminate

Solid grade laminate is available only with the aluminium pilaster options. It offers ultimate performance in the most demanding environments. The panels are extremely resistant to impact and have surfaces and cores that are totally impervious to water. Each panel is 13mm thick and has polished black radiused edges as lipping is not required.

### Equinox Glass

10mm thick toughened safety glass to BS6206. The following glass specifications are available;

100% white silk screen print on reverse of panel.

100% white silk screen print horizontally through the centre of the panel (1200mm wide).

Clear toughened safety glass.



NBS Services produce the National Building Specification in electronic format – NBS PLUS. This is a library of details and guidance, to facilitate accurate and easy completion of the NBS clauses for building products. Our products can be found within NBS PLUS, alternatively our advisors can provide you with a full specification service.

Below is a sample NBS for the main Equinox washroom featured in this brochure:

### Drawing reference

8923172/2B

### Manufacturer

Armitage Venesta  
Washroom Systems Limited

### Range type

Equinox high pressure laminate with polished aluminium frame.

### Panels and doors

Core material: Moisture resistant  $680\text{kg/m}^3$  grade chipboard 17mm thick.  
Facing: Faced on both sides with high pressure laminate.

Partitions: Colour ref. Sycamore

Doors: Colour ref. Sycamore

### Edge detail

All visible edges lipped with 3mm PVC.  
Colour ref. Sycamore

### Floor supports

Adjustable aluminium pedestals  
Finish: polished anodised.

### Framework

Extruded aluminium pilasters, headrail and wall channels.  
Finish: polished anodised.

### Accessories

Polished aluminium indicator bolts, adjustable high spec hinge, coat hook with built-in rubber door-butler and aluminium toilet roll holder. Oslo glass vanity unit with stainless steel basin and Jado wall mounted taps.

## Unrivalled service and support

From the moment you make your first enquiry through to final installation Armitage Venesta work in partnership with you to make sure you receive knowledgeable advice and full technical support at every stage. We also conduct Continuous Professional Development (CPD) presentations for the benefit of specifiers. To give you this unrivalled level of service we follow a six stage plan. This includes:

### 1. First contact

Our sales team will advise you on suitable products for your requirements and supply you with product literature and colour samples.

### 2. Specification service

Our national team of advisors will be happy to help you select the most suitable products for each project. A full NBS specification service can be provided.

### 3. Estimating

A comprehensive estimate is prepared, giving a detailed breakdown of materials and prices.

### 4. Layout drawings

Each order is supported with a full CAD service to ensure that design, performance and installation criteria are met.

### 5. Delivery

A prompt and efficient delivery service operates throughout the UK to exact lead times. Standard cubicle specifications can be delivered within 3 weeks (4 weeks for Matrix) of a confirmed order. Full height cubicles have extended lead times. An additional week is required for deliveries to Ireland.

### 6. After-sales support

Just call us for prompt product support and for ordering replacement parts or additional products.

#### Guarantee

All Armitage Venesta washroom systems are guaranteed for 3 years under Armitage Venesta's Integrity Guarantee Programme.

#### Maintenance

Armitage Venesta washroom systems are designed to be low maintenance and hard-wearing. Fittings are made from self-coloured materials that retain their good looks despite heavy use.

#### Terms and conditions

Orders are subject to our Standard Terms and Conditions published on each order acknowledgement or available in advance upon request.

#### Complementary products

To give you the scope to create a fully integrated washroom system that meets your precise budget and design requirements Armitage Venesta offer a range of complementary products.

#### IPSEvolve

IPSEvolve is our unique metal framed Integrated Plumbing System incorporating Armitage Shanks and Ideal Standard's commercial sanitaryware and fittings. Should you choose to specify IPSEvolve, each unit is delivered pre-plumbed and pre-assembled onto wall panels and vanity units, making installation easy, fast and economical. For further details please refer to our IPSEvolve brochure or call 01474 353333.

#### Duct panels

A full range of non-plumbed colour co-ordinated duct panels are available, please call 01474 353333 for further details.



#### Accessories

Designed specifically for Equinox aluminium coat hooks and toilet roll holders.

#### Vanity units

Armitage Venesta have an extensive range of vanities, including 'Oslo' glass and 'Stockholm' solid wood. For an overview of our vanities offer please visit our website [www.armitage-venesta.co.uk](http://www.armitage-venesta.co.uk) or contact our sales team who will be happy to forward a Vanities brochure.

#### Colour selection

Armitage Venesta offer an unprecedented range of colours and finishes as standard for their washroom systems. Colour contrast must be considered in order to comply with the new building regulations part M and DDA. Bespoke colours can be supplied to order.

Please refer to our colour selector, or call 01474 353333 for advice or any colour samples. Alternatively, colours can be viewed by visiting our website at [www.armitage-venesta.co.uk](http://www.armitage-venesta.co.uk).