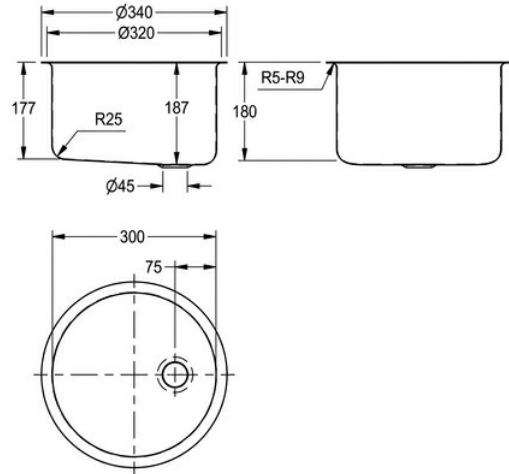


ROUND BASIN: BR300OU

BR300OU | 2000100793

PRODUCT GROUP : Wash basins | ARTICLE FAMILY : Wash basins | ARTICLE GROUP : BR300OU++ | MODEL RANGE : RONDO



Round inset basin, can be mounted from top or underneath, stainless steel, surface high polished, material thickness 1 mm, bowl diameter 300 mm, without overflow, incl. 5/4" flat perforated waste, stainless steel lugs for underneath mounting are included.

Bowl depth 180 mm

TECHNICAL DATA

bowl position	center
bowl - bowl depth	185.00 mm
bowl finish	high polished
bowl - depth	300.00 mm
bowl shape	circle
bowl - width	300.00 mm
colour	no colour
gross weight	1.50 kg
material	stainless steel
material code	1.4301 Chrome Nickel steel V2A
material thickness	1.00 mm
net weight	1.10 kg
number of bowls	1.0000000000000000E+00
overall depth	340.00 mm
overall height	187.00 mm
overall width	340.00 mm
overflow	no
rear upstand	no
siphon included	no
splash back	no
surface finish	high polished
number of tap holes	0
tap ledge	no

type of mounting	inset mounting
type of waste kit	flat perforated waste
waste hole position	centre back
waste hole projection	75.00 mm
waste kit included	yes
waste size	DN 32