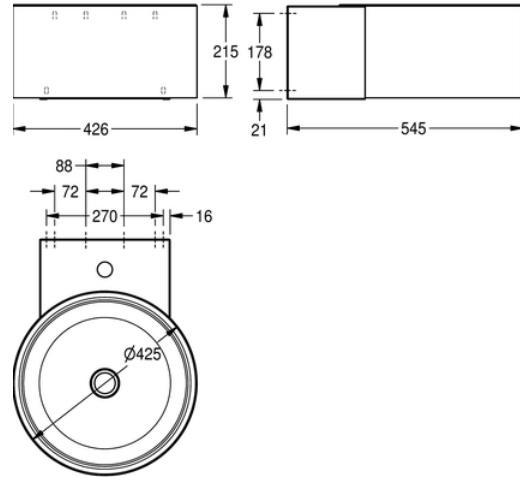


# WASH BASIN : BRC390SF

BRC390SF | 2000056785

PRODUCT GROUP : Wash basins | ARTICLE FAMILY : Wash basins | ARTICLE GROUP : BRC390SF | MODEL RANGE : RONDO



Single wash basin for wall mounting, stainless steel, surface on both sides satin finished, material thickness 1.25 mm, seamless welded bowl with 385 mm diameter, rounded edges, with overflow, with 120 mm tap ledge and incl. 35 mm tap hole drilling, 170 mm high perforated fascia panel, incl. 5/4" overflow kit with plug waste, incl. screws and dowels, trap cover can be delivered optional.

## TECHNICAL DATA

bowl position	center
bowl - bowl depth	170.00 mm
bowl finish	high polished
bowl - depth	385.00 mm
bowl shape	circle
bowl - width	385.00 mm
colour	no colour
gross weight	9.00 kg
material	stainless steel
material code	1.4301 Chrome Nickel steel V2A
material thickness	1.25 mm
net weight	8.30 kg
number of bowls	1.0000000000000000E+00
overall depth	545.00 mm
overall height	215.00 mm
overall width	426.00 mm
overflow	yes
overflow position	back
rear upstand	no
siphon included	no
splash back	no
surface finish	satin finished
number of tap holes	1
tap hole diameter	35.00 mm

tap hole position	middle
tap ledge	yes
type of mounting	wall mounting
type of waste kit	plug waste
waste hole position	centre
waste hole projection	331.00 mm
waste kit included	yes
waste size	DN 32
type of basin	vanity basin
siphon diameter	DN 32

# WASH BASIN : BRC390SF

BRC390SF | 2000056785

PRODUCT GROUP : **Wash basins** | ARTICLE FAMILY : **Wash basins** | ARTICLE GROUP : **BRC390SF** | MODEL RANGE : **RONDO**

---

## ACCESSORY

---



---

**PAPER TOWEL  
DISPENSER: STRX600**

---

2000057205

---



---

**WASTE BIN: STRX605**

---

2000057228

---



---

**SOAP DISPENSER:  
STRX618**

---

2000057379

---



---

**SELF-CLOSING PILLAR  
TAP: AQUA201**

---

2000061898

---