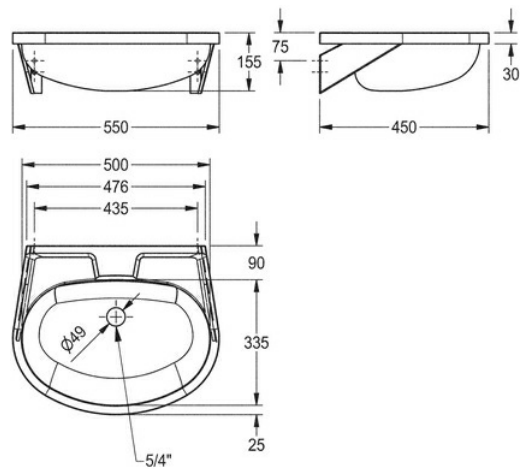


WASH BASIN: BS204

BS204 | 2000090016

PRODUCT GROUP : Wash basins | ARTICLE FAMILY : Wash basins | ARTICLE GROUP : BS204 ++ | MODEL RANGE : ANIMA



Single wash basin for wall mounting, stainless steel, surface satin finished, material thickness 1 mm, seamless welded bowl with diameter 500x335x155 mm, oval shape, 90 mm tap ledge, prewelded mounting brackets, with soap dish, incl. screws and dowels.

without overflow, 1 1/4" flat perforated waste

TECHNICAL DATA

bowl position	center
bowl - bowl depth	155.00 mm
bowl finish	satin finished
bowl - depth	335.00 mm
bowl shape	oval
bowl - width	500.00 mm
colour	no colour
gross weight	4.64 kg
material	stainless steel
material code	1.4301 Chrome Nickel steel V2A
material thickness	1.00 mm
net weight	3.68 kg
number of bowls	1.0000000000000000E+00
overall depth	450.00 mm
overall height	155.00 mm
overall width	550.00 mm
overflow	no
rear upstand	no
siphon included	no
splash back	no
surface finish	satin finished
number of tap holes	0
tap ledge	yes
type of mounting	wall mounting

type of waste kit	flat perforated waste
waste hole position	centre back
waste hole projection	180.00 mm
waste kit included	yes
waste size	DN 40