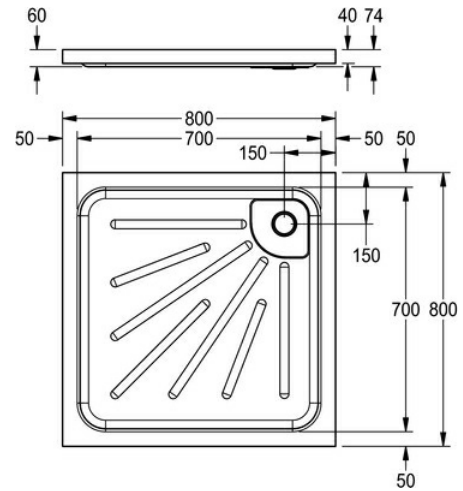


SHOWER TRAY: BS400

BS400 | 2000057986

ARTICLE GROUP : **BS400++** | ARTICLE FAMILY : **Shower trays** | PRODUCT GROUP : **Showers** | MODEL RANGE : **CAMPUS**



Shower tray for inset mounting, stainless steel, surface satin finished, material thickness 1 mm, deepdrawn out of one piece with rounded internal corners, bowl slanted towards waste, slip resistant patterned foot areas, waste \varnothing 58 mm, corners welded, earthing lug welded at bottom, no waste included.

size: 800 x 800 mm

TECHNICAL DATA

bowl - bowl depth	78.00 mm
bowl - depth	700.00 mm
bowl - width	700.00 mm
gross weight	7.40 kg
material	stainless steel
material code	1.4301 Chrome Nickel steel V2A
material thickness	1.00 mm
net weight	7.40 kg
overall depth	800.00 mm
overall height	74.00 mm
overall width	800.00 mm
surface finish	satin finished
type of mounting	inset floor mounting
waste hole position	corner
waste hole projection	150.00 mm
waste kit included	no
waste size	DN 50