



# Corfe Cast Gutter

DATA SHEET

## Description

A cast aluminium half round gutter which reproduces the features of a traditional half round cast iron system. Installed in fascia or rafter brackets, jointing is achieved with a socket, which is normally on the left hand side looking at the building. Joints are bedded on silicone sealant and secured with a stainless steel bolt through the sole.

Available in three sizes, this gutter is supplied as standard polyester powder coated to ensure a long maintenance free life.

## Specifying Information

<b>Gutter type:</b>	Bailey Corfe cast aluminium half round gutter.
<b>Size:</b>	Select from tables overleaf.
<b>Gauge:</b>	Select from tables overleaf.
<b>Jointing:</b>	Socket and spigot type. Joints to be bedded on silicone sealant and bolted with stainless steel bolts with coloured heads.
<b>Fixing:</b>	Brackets to be screwed to fascia board/rafters at goomm centres using stainless steel screws supplied by the manufacturer.
<b>Accessories:</b>	90° / 135° Internal / External / Corners. Running Outlets to suit downpipe size ..... (see separate datasheet). Stopends.
<b>Finish:</b>	Outside faces to be polyester powder coated to colour and gloss level selected from the Bailey range. (Consult Technical Department) Coating to be applied at manufacturer's in-house plant with 30 year guarantee available, subject to location.

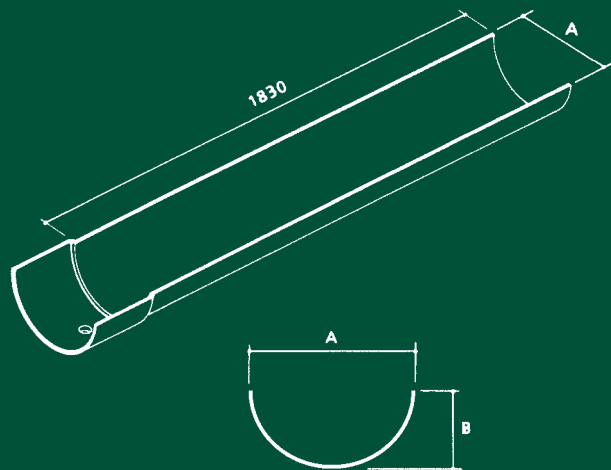
## Fixing Instructions

To be installed strictly in accordance with the manufacturer's instruction sheet available on request and sent out with each consignment.

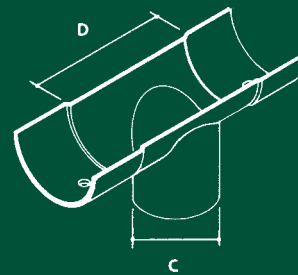
# General specifications

## Gutter

GUTTER			OUTLET		90° Corner Int/Ext		
SIZE	A	B	C ø	D	E	F	G
100	108	47	63/76	148	132	190	77
113	121	52	63/76	148	146	197	77
125	133	56	63/76	148	155	208	77
150	154	63	63/76/102	148	165	218	77



## Outlet



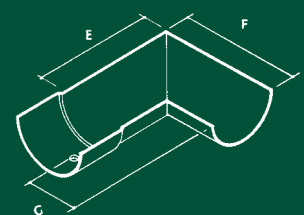
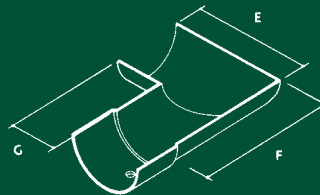
90° External Corner

Specify R.H. or L.H. socket.

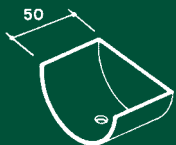


90° Internal Corner

Specify R.H. or L.H. socket.



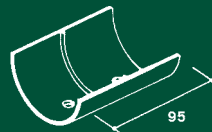
## Stop end



## Fascia bracket



## Internal joint sleeve



## Rafter bracket

Rafter brackets are available - please state side or top fix and angle of roof when ordering.

## Internal/External

# Flow rate chart

GUTTER SIZE	OUTLET SIZE C ø	Capacity with central outlet	
		Litres/sec.	Roof area
100	63	1.1	53
113	63	1.56	75
125	76	1.86	90
150	102	Consult Manufacturer	



**Bailey Eaves Systems**  
Blatchford Close,  
Horsham,  
West Sussex,  
RH13 5RF

Tel: **+44(0)1403 261844**

Fax: +44(0)1403 264823

Email: [sales@baileyeaves.com](mailto:sales@baileyeaves.com)