



Kenilworth Gutter Range

DATA SHEET

Description

The Kenilworth gutter is one of a pair of profiled pressed aluminium gutters available in four standard sizes. They provide the hydraulic advantages of a box gutter but the profiled face gives some architectural interest, enabling the designer to make the gutter a feature of the building.

The gutters have high flow capacity allowing the number of downpipes to be reduced, with consequent savings in drainage costs. As the gutters are direct fixed to a fascia board, no brackets are visible and the external joint strap requires no seen fixings, resulting in a smooth gutter line.

The jointing system allows for the expansion and contraction of the aluminium over the complete temperature range experienced in the UK, so that expansion joints are not required even on the longest runs.

The gutters are supplied as standard polyester powder coated on the outside faces giving a choice of over 200 standard colours and a long maintenance free life.

Specifying Information

Gutter type:	Bailey Kenilworth aluminium gutter.
Size:	Select from tables overleaf.
Gauge:	Select from tables overleaf.
Jointing:	External joint straps assembled dry with gap for expansion. Joints are sealed internally with silicone sealant supplied by the manufacturer.
Fixing:	To be screwed to fascia board of minimum thickness 22mm through pre-punched holes in back of gutter and accessories, with stainless steel screws and nylon washers supplied by the manufacturer.
Accessories:	90° / 135° Internal / External / Corners. Running Outlets to suit downpipe size (see separate datasheet). Stopends.
Finish:	Outside faces to be polyester powder coated to colour and gloss level selected from the Bailey range. (Consult Technical Department) Coating to be applied at manufacturer's in-house plant with 30 year guarantee available, subject to location.

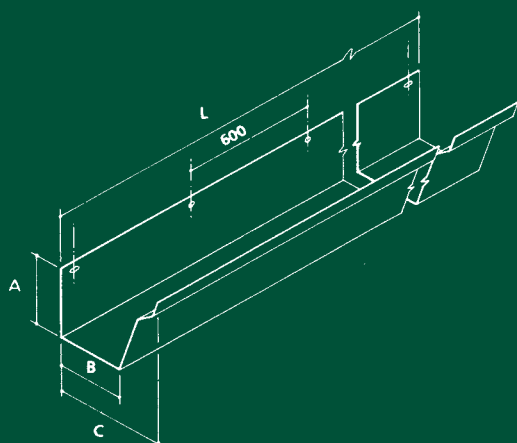
Fixing Instructions

To be installed strictly in accordance with the manufacturer's instruction sheet available on request and sent out with each consignment.

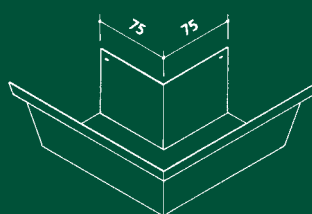
General specifications

Gutter

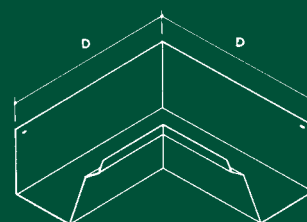
GUTTER						ACCESSORIES	
SIZE	L	Metal Thickness	A	B	C	D	E
80x125	3000	1.6	80	84	125	200	250
110x160	3000	2.0	110	104	160	235	250
135x200	3000	2.0	135	130	200	275	250
170x230	3000	2.5	170	145	230	305	250



90° External Corner

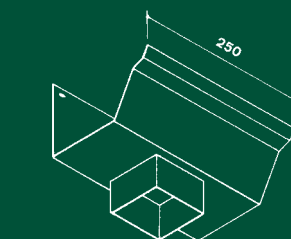


90° Internal Corner

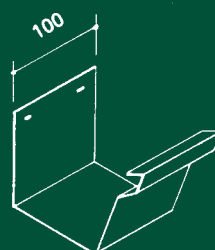
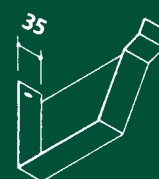


Running outlet

Stop end



External joint strap



90°

Corners illustrated.

135°

and non standard are also available in external and internal.

Flow rate chart

Gutter Size	Flow Litre/sec	Outlet Size	Capacity with central outlet	
			Litres/sec.	Roof area
80x125	1.75	65 dia.	1.9	134
		76 dia.	2.6	143
		72x72	2.9	
110x160	3.73	76 dia.	3.3	156
		72x72	3.6	168
135x200	5.74	76 dia.	3.7	180
		72x72	4.0	195
		102 dia	6.6	320
		102x102	8.0	388
170x230	9.28	102 dia	7.3	367
		102x102	8.9	452



Bailey Eaves Systems
Blatchford Close,
Horsham,
West Sussex,
RH13 5RF

Tel: **+44(0)1403 261844**

Fax: +44(0)1403 264823

Email: sales@baileyeaves.com