

V-JOINT FASCIA SOFFIT SYSTEMS



EXTRUDED ALUMINIUM SOFFIT SYSTEM WITH COMPLETE VERSATILITY FOR EAVES AND OTHER BUILDING FEATURES

Bailey V-Joint soffit and fascia system has been designed to bring the appearance of planked soffits to a wide range of construction projects. The system is used in both contemporary and traditional structures to bring distinctiveness and individuality to almost any project.

Whilst Bailey V-Joint was inspired by traditional planked soffits it is frequently used successfully on modern architectural projects. V-Joint is so adaptable that it is used to add interest and value to gables and façades as well as soffits,

providing features such as infills, herringbones and coffering.

Manufactured from extruded aluminium this product brings substantial benefits to the construction industry. These include speed of installation, longevity, colour fastness and ease of maintenance.



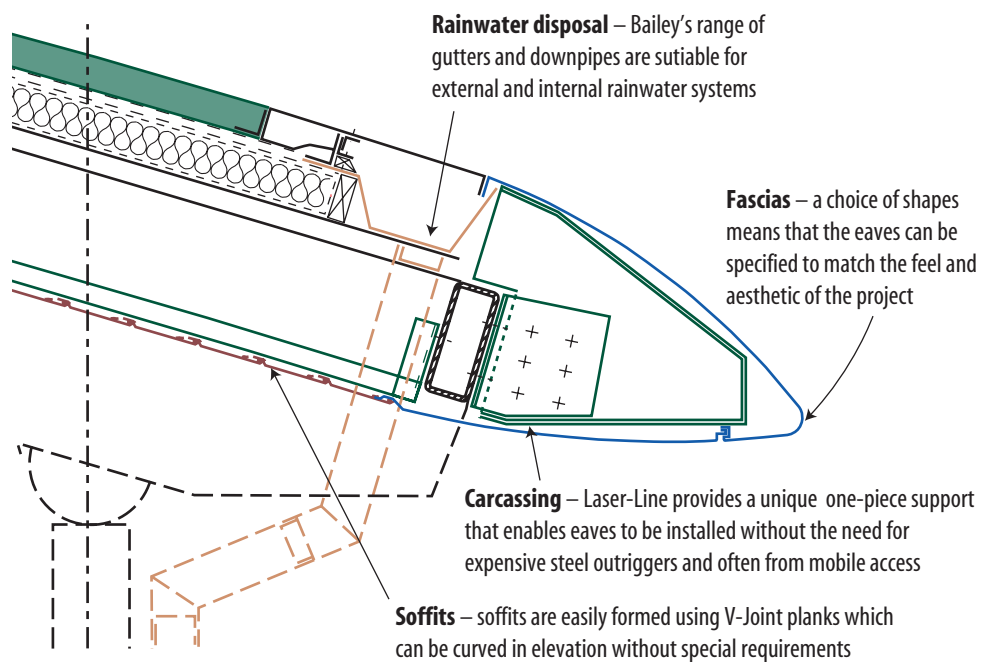


ST. CHRISTOPHER SCHOOL, LETCHWORTH

CONSTRUCTING THE EAVES USING V-JOINT SOFFITS

The Bailey V-Joint system consists of standard vee-jointed extruded aluminium profiles with trims, edge profiles and accessories. The system is designed to be installed using Laser-Line, the Bailey carcassing system, so that all fixings are completely concealed.

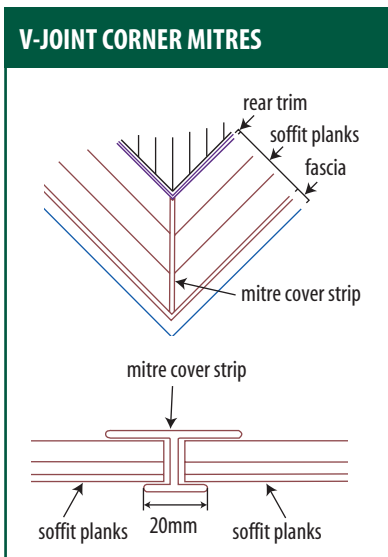
The series of V-Joint standard components can be combined to create flat, curved and feature soffits as well as being used within gable ends and fascias.



DESIGNING THE SOFFIT



GRADUATE CENTRE, SOUTHAMPTON



The Bailey V-Joint system provides a range of tried and proven components which specifiers and designers can combine to create effective and visually attractive eaves which are easily applied to the building.

Bailey V-Joint systems are manufactured in aluminium and are available in a wide range of finishes including architectural polyester coating and anodising. Specifiers have a choice of 220 RAL, BS and Bailey house colours with matt, satin, gloss and metallic finishes available.

Using the core components shown here designers and architects have the freedom to mix components to create original combinations that can result in unique eaves that will enhance any project.

Soffits

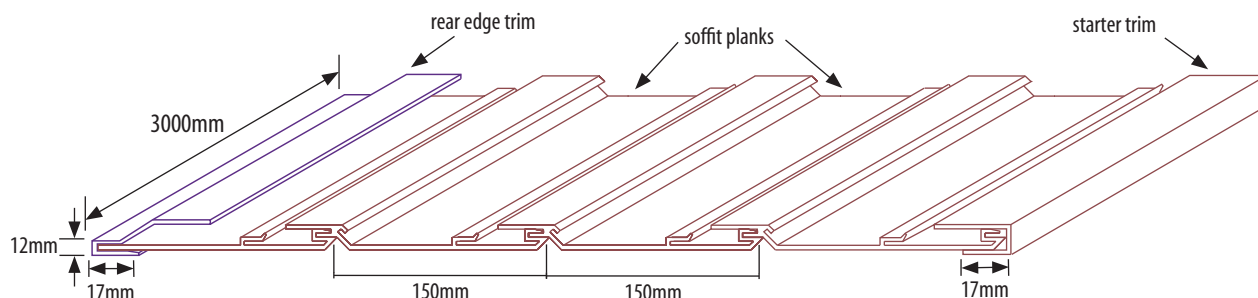
V-Joint soffits use aluminium planks combined with a variety of trims.

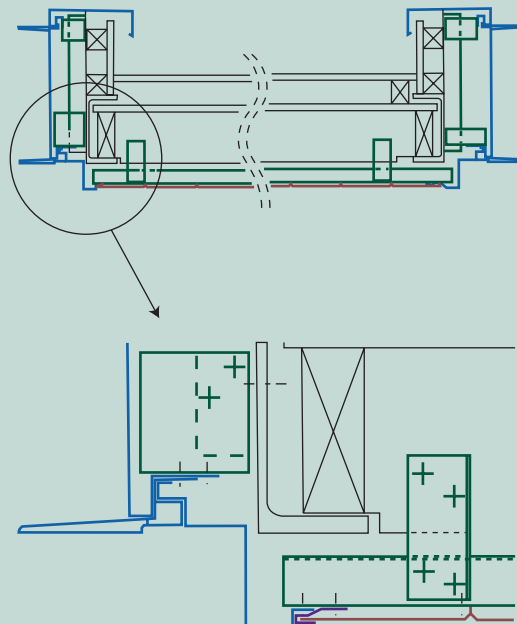
The standard V-Joint plank reveals a 150mm face when installed. An economical length for planks is 3000mm and this is generally used as a standard. Special lengths can be produced so as to enable gridlines in ground floor treatments, curtain walling and cladding to be respected and maintained throughout a building's façade.

After the Laser-Line or alternative soffit support is fixed, the rear channel is installed and the soffit planks fitted from the outer edge inwards. Planks are mitred at soffit corners using a secret fix mitre cover strip.

Design versatility

Bailey V-Joint planks can be run parallel or perpendicular to a building's wall and the inherent nature of the system means that soffits curved in elevation are easily achieved. Such design details have been used to add interest to buildings of all sizes.





This project combines a V-Joint soffit with Bailey I-Line to create a feature entrance canopy. Bailey eaves systems enable project features to be designed from a series of core components which are combined into the eaves or other building element with ease and practicality.

LEIGHTON PARK SCHOOL, READING

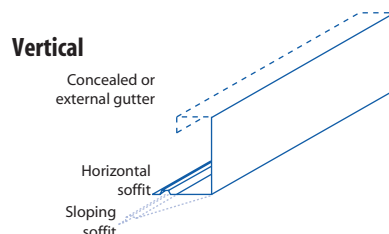
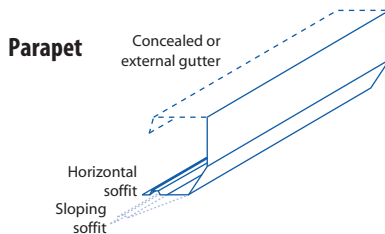
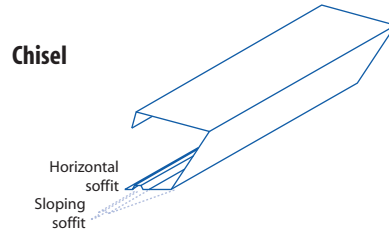
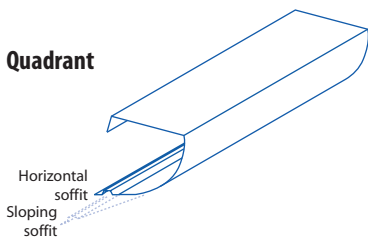
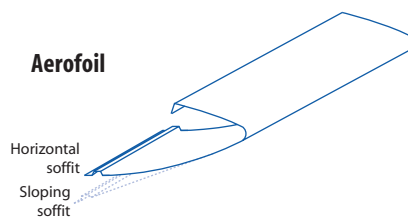
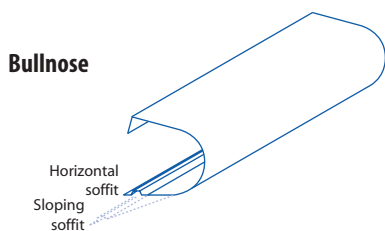
FASCIAS

Fascias can be designed to many different shapes and are the flexible part of the eaves. This enables coordination between roof, soffit and wall to achieve aesthetic requirements appropriate

to each individual project. Some popular standard fascia shapes are illustrated. Dimensions are flexible to allow specific eaves projections to be achieved in conjunction with standard soffit components.

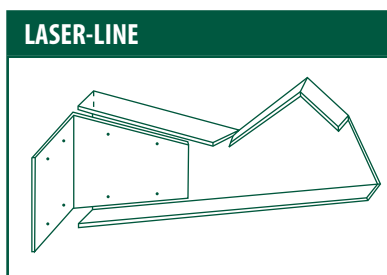
I-LINE

Bailey I-Line (see separate datasheet) can be integrated with the V-Joint soffit system and can be used at the eaves and throughout external elevations to evoke structural beams.



CARCASSING

Bailey eaves systems are best supported by Laser-Line accurately fabricated one piece components. Laser-Line provides the entire support for the eaves and can be aligned using laser beams or traditional methods.



As a single component, Laser-Line eliminates the need for separate rails, angles and channels. This reduces the

time taken to install carcassing with a more accurate finished result.

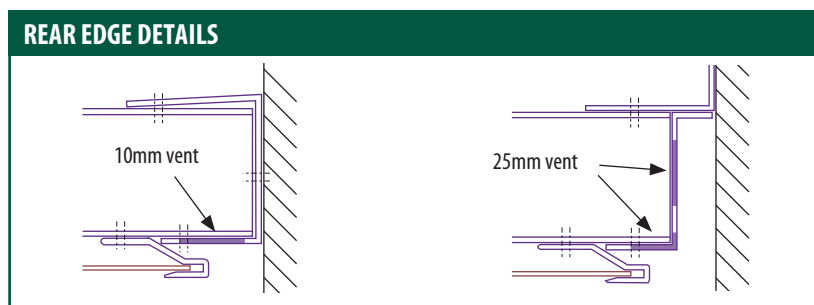
Laser-Line is normally attached to one or two points of the main building structure. From a single attachment point at the building face, via an angle bracket, Laser-Line can support a cantilevered eaves up to 900mm projection. Larger projections require at least two fixing points to the primary structure. Details are contained in the Laser-Line datasheet.

Alternatively, rails, angles, channels and cleats are available to construct carcassing on site attaching to the main building structure as required.

REAR EDGE TRIMS AND VENTILATION

The rear edge detail of the V-Joint system is designed to accommodate cross-sectional tolerance. The closing soffit plank is cut to fit on site and then engaged into the extruded rear edge trim.

The rear edge can also accommodate ventilation where required by The Building Regulations. Details can provide the equivalent of 10mm or 25mm continuous air gaps through needle punching. This requires no separate mesh and in discreet locations avoids unsightly dust build up.



RAINWATER DISPOSAL

Rainwater disposal at the eaves can be concealed within the fascia or employ an external gutter.

Bailey offers a full range of cast, extruded and pressed aluminium gutters and rainwater pipes in various capacities.

Traditional, modern and security downpipe designs are available.

For a selection of standard bracket or direct fixed gutters and rainwater pipes please refer to the Bailey datasheets.

Bailey Monsoon membrane lined system provides a competitive and effective solution for concealed gutters. Details are contained in a separate datasheet.

H31 FOR EAVES CLADDING ONLY
R10 WHEN COMBINED WITH GUTTER AS RAINWATER DISPOSAL

Combined fascia/soffit and gutter* system to

Manufacturer and reference	Bailey, Blatchford Close, Horsham, West Sussex, RH13 5RF. Telephone 01403 261844. Fax 01403 264823
Profile Reference	Bailey V-Joint Soffit. For gutter and rainwater specifications refer to relevant datasheets.
Drawing Reference	As applicable.
Panel thickness	Minimum 2mm increased in accordance with the recommendations of Bailey Eaves systems.
Finish/Colour	Visible faces to be polyester powder coated to colour and gloss level selected from the manufacturer's standard range. Polyester powder coating is to be electrostatically applied at the manufacturer's in-house plant. Pretreatment of the aluminium is to produce no environmentally harmful effluent and conform with Qualicoat standards. Test samples are to be retained and results submitted to the architect if requested. Tests to be applied as a minimum are: 1 1000 hour salt spray test 2 Impact test (0.908kg from 0.25m high) 3 Permeability test (2 hour pressure cooker) 4 Adhesion test (2mm cross hatch) 5 Flexibility test (20mm mandrell) 6 MIBK cure test <i>(As standard only visible faces are polyester powder coated. Some severe industrial or marine locations may require coating to reverse sides of some components. Consult Bailey technical department in these situations.)</i>
Accessories	Factory fabricated fascia corners, stopends, transitional flashings, rear edge trims, mitre cover strips, etc as required.
Supports	To be fitted to Bailey Laser-Line carcassing system at centres recommended by Bailey.
Fixing	All fixings to be completely concealed. System to be fixed using aluminium and stainless steel fixings as recommended and supplied by Bailey Eaves Systems.
Special Features	The system is to fully allow for building tolerances to be overcome on site without the necessity to purpose manufacture components to site dimensions. All factory fabricated components to be fully finished and dressed prior to polyester powder coating.
Method of Jointing	Fascias to be butt jointed using internal profiled butt strap with 2mm to 3mm expansion gap. Soffit planks to be butt jointed with staggered joints.
Modulation	Specific requirements for modulation in conjunction with building grid layout to be entered here.
Ventilation	<i>(Only include this section if ventilation is required via the soffit system).</i> Ventilation to be provided as an integral part of the eaves system. Vents to be in a concealed location and to require no separate mesh. Ventilation to give the equivalent to a 10mm* or 25mm* continuous gap.
Design	Installation subcontractor to provide a full design service. As a minimum, full working drawings are to be provided for architect approval prior to manufacturer. These shall include: a) Reflected soffit layouts showing all joints, junctions, mitres etc suitably cross referenced to the relevant section. b) Section of each different detail including method of support from structural elements and fixings to be used. Each component to be numbered. c) Large scale details and where required isometric details of particularly awkward or complex junctions, corners, barge boxes etc.
Packaging	All components are to be fully wrapped and protected. Bundles should be no larger than can be handled by one person to ensure transfer to point of installation in original packaging. Heavy items to be marked with appropriate warnings and approximate weight. Fascia and soffit components to be labelled in accordance with part numbers given on working drawings.
Installation	Entire fascia, soffit and rainwater system together with all sub-carcassing work is to be supplied and installed by one subcontractor selected from the Bailey list of recommended subcontractors.

* Delete as appropriate

BAILEY EAVES SYSTEMS
BLATCHFORD CLOSE
HORSHAM
WEST SUSSEX
RH13 5RF

T +44(0)1403 261844
F +44(0)1403 264823

