

BAILEY AND PUBLIC PROCUREMENT PROJECTS

CI/SfB June 2007
| (4) | |
L52

THE GOVERNMENT'S ACHIEVING EXCELLENCE INITIATIVE IS ABOUT DELIVERING BEST VALUE FOR MONEY ACROSS THE LIFE OF A BUILDING

Construction is key for the government, it is central to the regeneration of deprived areas and to the delivery of policy objectives. The key thrust of the government's Achieving Excellence initiative is the delivery of value for money in public construction projects. This requires that a project achieves the optimum combination of whole life cost and quality that best meets user requirements. Indeed it is now widely recognised that lowest price rarely leads to best value. Long term costs and quality over the life of a property are the real indicators of value for money.

Recognising the importance of design is essential and public procurement

projects have been shown to benefit greatly from incorporating Bailey eaves systems. Bailey eaves and façade systems create interest by adding shape, colour and detail that increase the architectural value of a public building. And when combined with Bailey Monsoon concealed gutters, which are fully integrated into the eaves and roofing envelope, contractors and occupiers can be confident that the eaves and gutters will remain trouble free.



Laser-Line in use at Broad Green Hospital, Liverpool



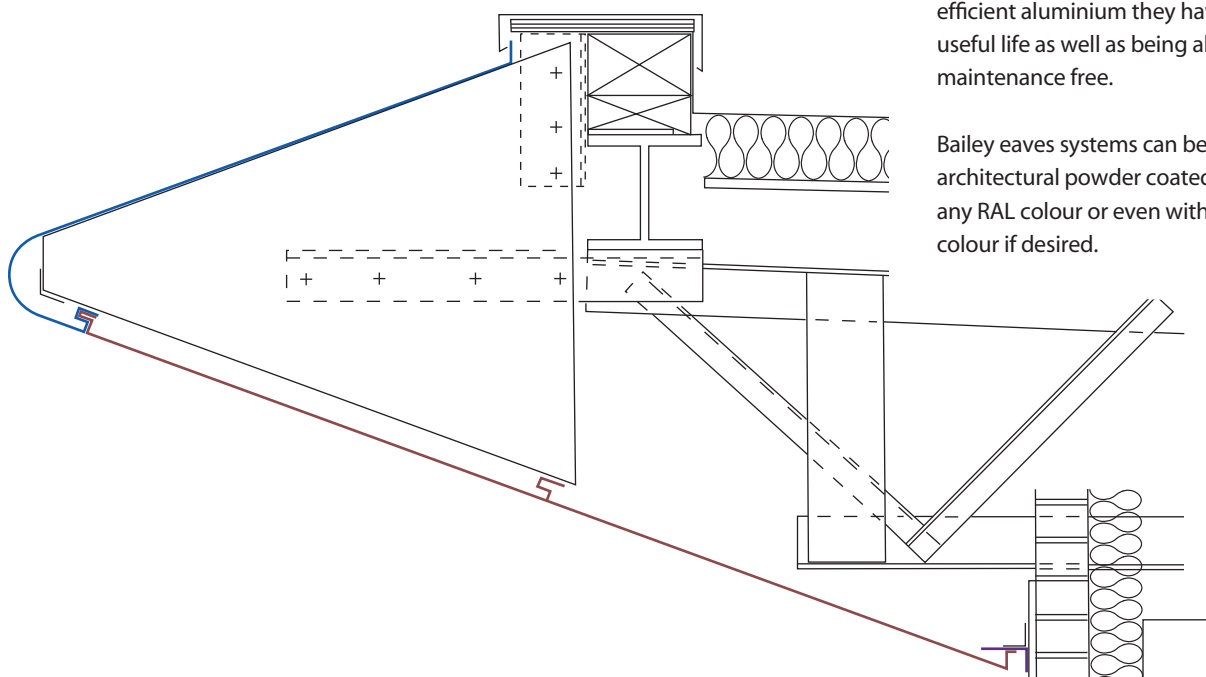
CARDIOTHORACIC CENTRE, SURREY

Bailey eaves systems provide a value for money, low maintenance combination of quality aesthetics and cost effectiveness appropriate to public procurement projects.

This cardiothoracic centre at East Surrey Hospital employs Bailey

Cassette system bullnosed eaves to add a distinctive high quality finish to an otherwise simple building. The use of good quality materials means that patients and visitors to the centre are reassured about their quality of care. Because Bailey eaves systems are manufactured in environmentally efficient aluminium they have a long useful life as well as being almost maintenance free.

Bailey eaves systems can be architectural powder coated in almost any RAL colour or even with a bespoke colour if desired.





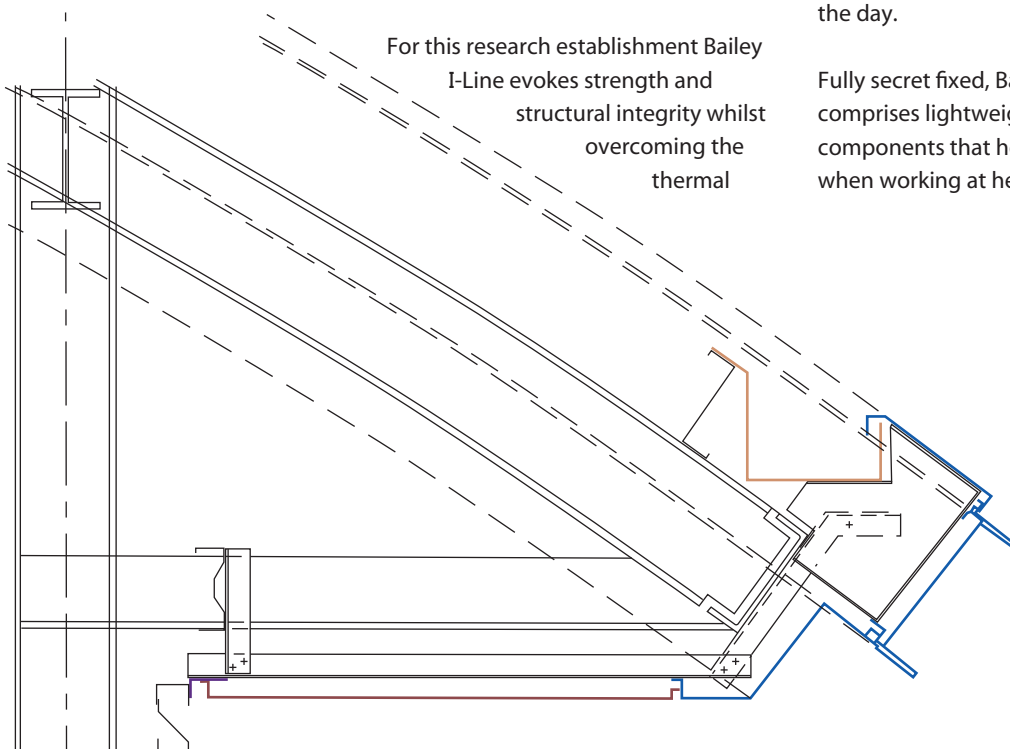
SCOTTISH AGRICULTURAL SCIENCE AGENCY, EDINBURGH

Bailey I-Line is a different kind of eaves feature, one that can be curved along the roof verges as well as being used horizontally and vertically to create interest and drama along the eaves and across façades.

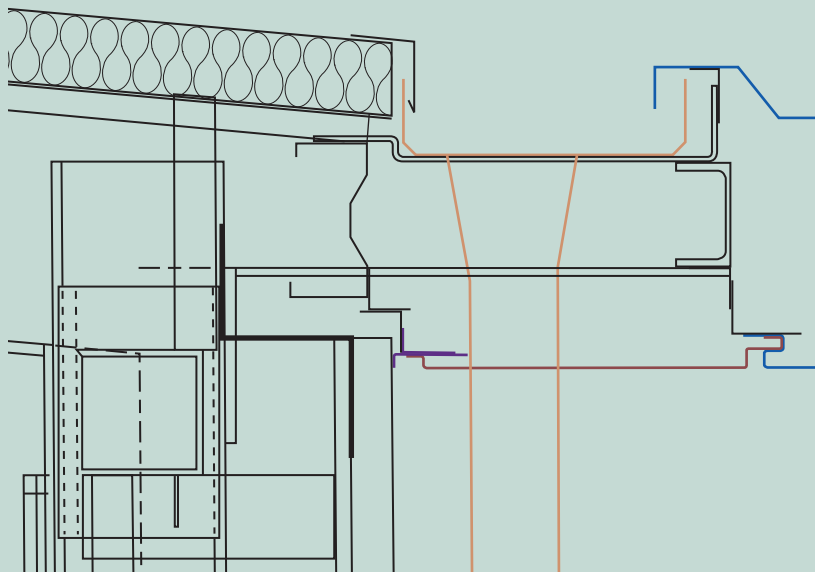
bridging issues associated with using exposed steel beams. Bailey I-Line's extruded profiles are consistent so that edges are crisp and shadow details are sharply delineated to give character to the building throughout the day.

For this research establishment Bailey I-Line evokes strength and structural integrity whilst overcoming the thermal

Fully secret fixed, Bailey I-Line comprises lightweight pre-finished components that help reduce risk when working at height.



LEARNING CAMPUS, HORSLEY HILL



This unique school combines a children's centre, nursery and primary and special educational needs schools. Bailey curved eaves made a

considerable contribution to creating the desired variety of external shapes that help create a stimulating yet secure environment.

BAILEY AND THE ENVIRONMENT

Sustainability

It is pressure from clients that is driving the need to use sustainable materials in construction projects. Bailey architectural features are manufactured from aluminium, the third most common element on earth.

Sustainable development requires that a project make as little impact on the environment as possible. Bailey aluminium features require little maintenance and aluminium can be repeatedly recycled. An aluminium architectural feature can be 100% recycled into an extrusion billet and a new feature extruded.

Environmental impact

The environmental impact of a project is no longer merely concerned with aesthetic and planning considerations, the products and materials specified within a project are under increasing

scrutiny. Run off water from aluminium is non-toxic and can be safely collected for use in fish ponds, watering the garden and so on.

There are no known health risks related to the use of Bailey eaves and soffit systems.

Coatings

Bailey's own coating plant supplies high quality robust architectural finishes in over 220 RAL and BS colours. Super durable polyester powder finishes are also available.

Further Information

There are product datasheets available for each eaves and rainwater system as well as Bailey's comprehensive technical handbook.

**BAILEY EAVES SYSTEMS
BLATCHFORD CLOSE
HORSHAM
WEST SUSSEX
RH13 5RF**

**T+44(0)1403 261844
F+44(0)1403 264823
E sales@baileyeaves.com**



BAILEY